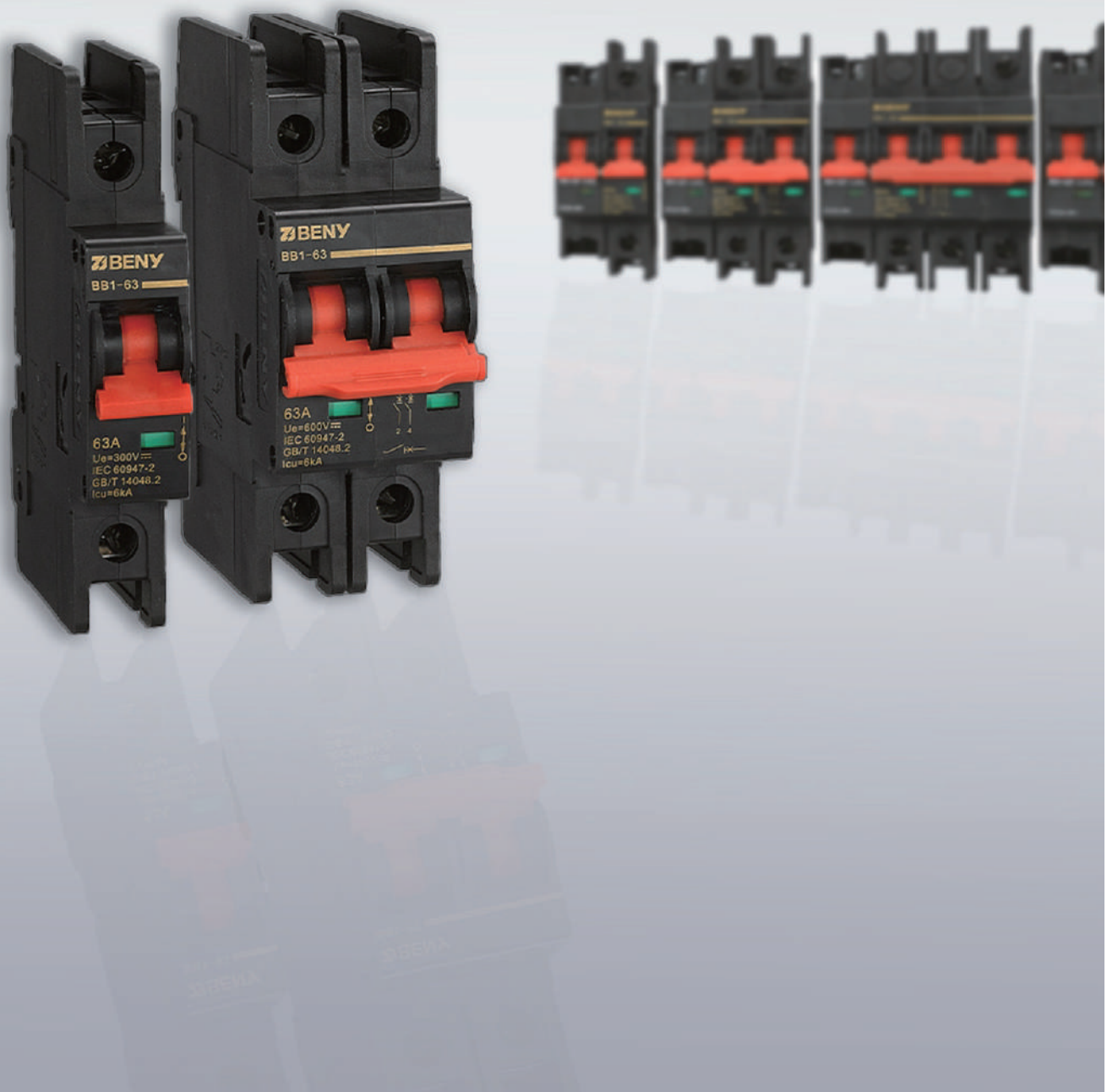




BB1-63

PV Miniature Circuit Breakers

Welcome to our website for more information
www.zjbenydc.com



BB1-63

PV Miniature Circuit Breakers



SAA-151113-EA

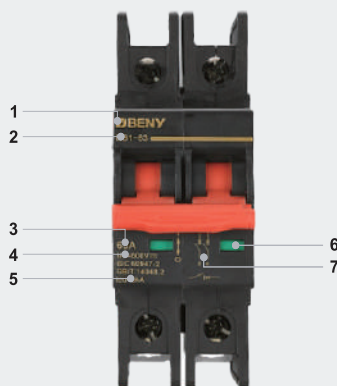


- 1 Brand
- 2 Type
- 3 Rated Current
- 4 Rated Voltage
- 5 Standard Code
- 6 Indicator
- 7 Wiring Diagram

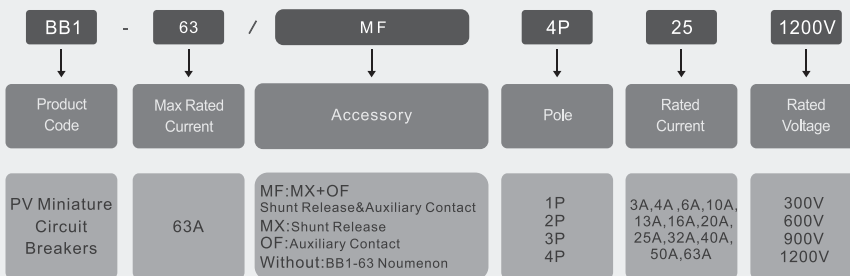
Application

ZIBENY BB1 Series PV Mini Circuit Breakers are mainly applied to DC solar combiner box ,Controller etc. The main function include overload protection ,Anti-reflux protection and short-circuit protection. Scientific design of arc-extinguishing system keep solar system more safe. Max Voltage up to 1200V DC, current up to 63A.

Appearance Introduction



Type Instruction



- Nonpolarity
- High Short-Circuit / Breaking Capacity
- Functions: Overload, Short Circuit, Unfrequent Operation and, Anti-reflux Protection
- Rated Voltage: 1200V, Ultimate
- Breaking Capacity : 6kA
- Rated Current: 63A
- Comply with : IEC 60947-2/GB/T 14048.2

Parameter

Electrical Characteristics					
Type	BB1-63				
Comply with	IEC 60947-2/GB/T 14048.2				
Pole	1P	2P	3P	4P	
Rated Working Voltage Ue	300V DC	600V DC	900V DC	1200V DC	
Max Rated Current	63A				
Rated Current In	3A, 4A, 6A, 10A, 13A, 16A, 20A, 25A, 32A, 40A, 50A, 63A				
Rated Insulated Voltage Ui	1200V DC				
Rated Impulsed Voltage Uimp	6kV				
Ultimate Breaking Capacity Icu	6kA				
Run Breaking Capacity Ics	6kA				
Tripping Type	Thermal Magnetic Type				
Service Life/cycle Operation					
Mechanical	Actual Value	20000			
	Standard Value	8500			
Electrical	Actual Value	1000			
	Standard Value	300			
Installation Environment					
Ingress Protection	All Sides IP40 ,Connection Terminal IP20				
Terminal Cross Section	2.5-25mm ²				
Working Temperature	-25°C ~ +70°C				
Storage Temperature	-40°C ~ +85°C				
Resistance to Humidity And Heat	II (when temperature arrived to 55°C,Relative Humidity95%)				
Resistance to Shock	2.6 IEC60068				
Resistance to Impack	2.27 IEC60068				



Visit Our Website
www.maxima.solar





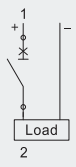
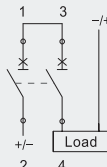
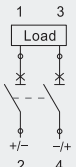
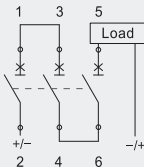
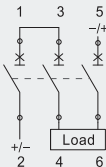
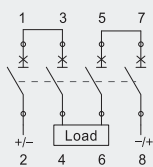
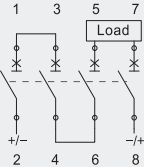


Call Us
+971 4 2231185



Our Address
Shop No. 19, SUQ Al Kabeer Building,
Bur Dubai, Dubai, UAE

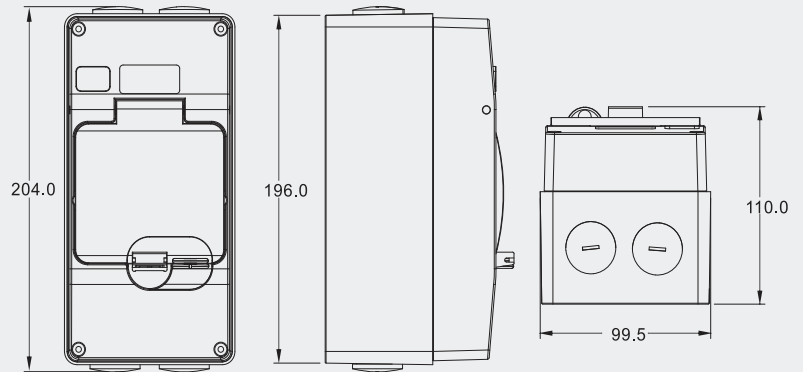
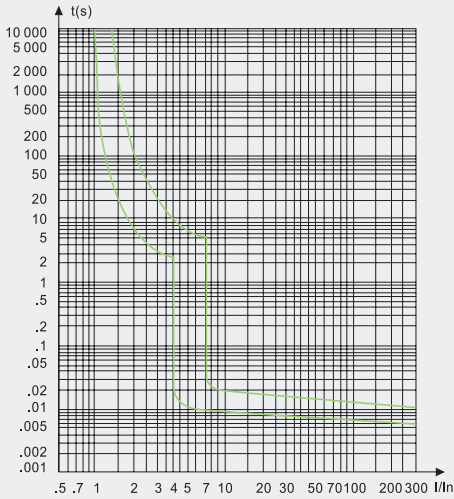
Wiring Method

Pole	1P		2P		3P		4P	
Type								
Contacts Wiring graph	1A	2A	2B	3A	3B	4A	4B	
								

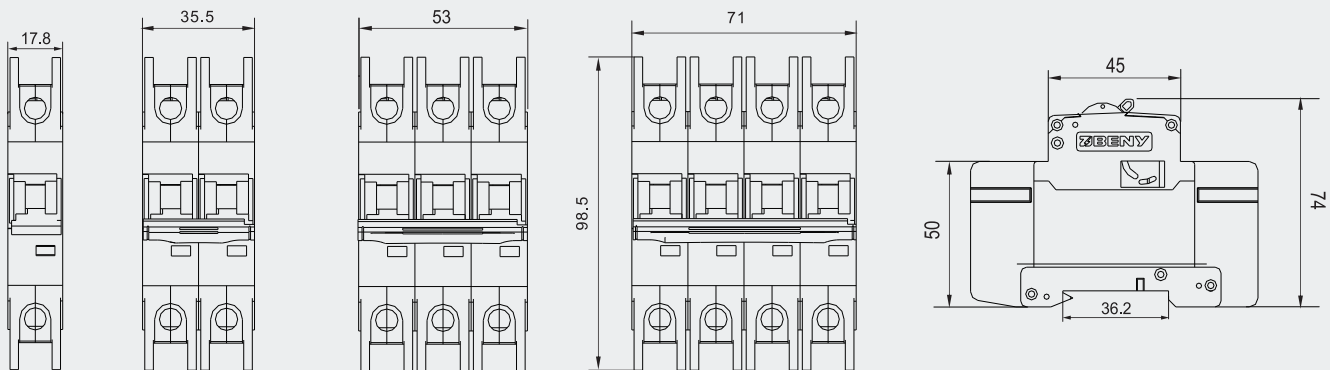
Characteristic Curve

Dimensions(mm)

B curve : (4.4-6.6) In



Dimensions(mm)

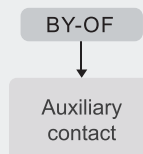


Auxiliary contact for BB1-63

Auxiliary contact unit must be mounted from the left to the device or to the release unit(s) when installed. Contact units are equipped with changeover (CO) combination(s) of contacts.

Type Instruction

- Auxiliary contact synchronous with main contacts of device
- According to IEC/EN 62019



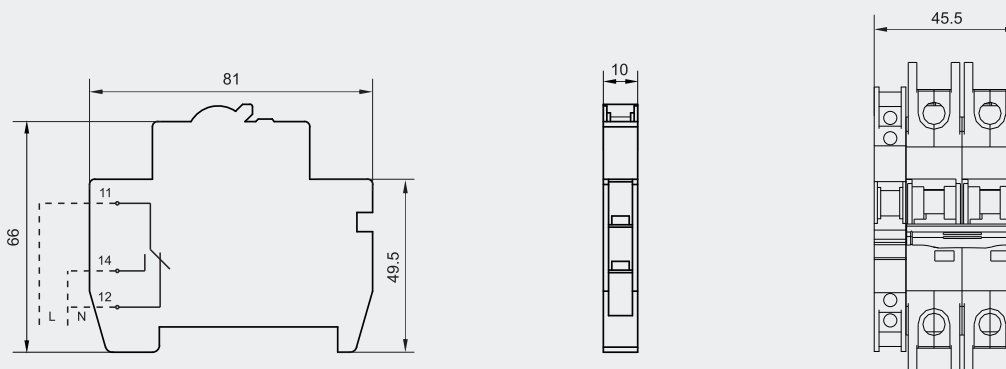
Auxiliary contact

Electrical parameters

Contacts	BY-OF	
Contact function	2 changeover	
Tested according to	auxiliary contact	
	IEC/EN 62019	
Rated op. voltage	AC 12	Ie=3A Ue=380/415V
	DC 12	Ie=1A Ue=110/125V
Min. op. current per contact I _{min}	10 mA	
Min. op. voltage per contact U _{min}	11V DC	
Rated frequency	50/60 Hz	
Mechanical parameters		
Mounting	easy fastening onto 35 mm device rail	
Degree of protection	(DIN)IP20	
Terminals	lift	
Terminal capacity	≤1mm ²	
Fastening torque of terminals	0.8 — 1 N·m	
Working temperature	- 35 ~ + 70 °C	



Dimensions(mm) (With Auxiliary Contact)



Visit Our Website
www.maxima.solar



Call Us
+971 4 2231185

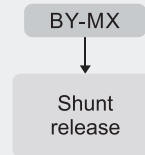


Our Address
Shop No. 19, SUQ Al Kabeer Building,
Bur Dubai, Dubai, UAE

Shunt Release for BB1-63

- Shunt Release for installation devices BB1-63
- Shunt release
- According to IEC/EN 62019

Type Instruction



Shunt release

Electrical parameters

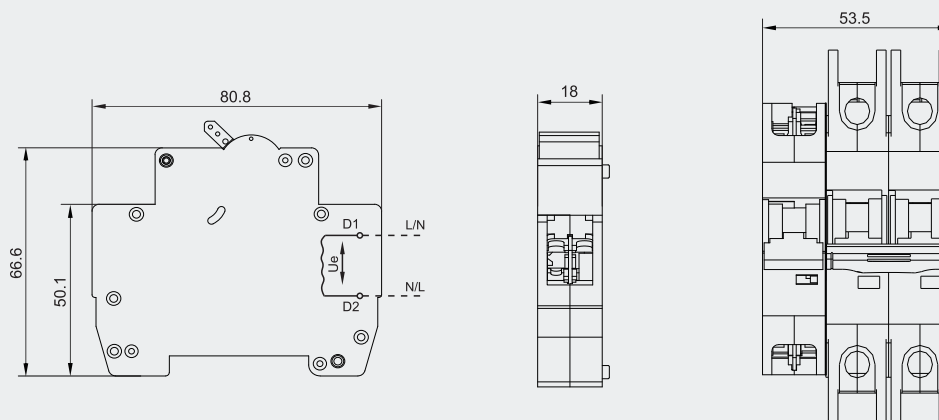
		BY-MX
Contacts		1 changeover (CO)
Contact function		Shunt release
Tested according to		IEC/EN 60947-5-1
Rated op. voltage	AC	le=2A Ue=220/415V
	DC	le=2A Ue=24/48V
Min. op. voltage		Ue*75%
Max. op. voltage		Ue*110%
Starting current		1 A
Rated frequency		50/60 Hz

Mechanical parameters

Mounting	easy fastening onto 35 mm device rail	
Degree of protection	(DIN) IP20	
Terminals	lift	
Terminal capacity	≤1mm ²	
Fastening torque of terminals	0.8 — 1 N·m	
Working temperature	- 35 ~ + 70 C	



Dimensions(mm) (With Shunt Release)



Visit Our Website
www.maxima.solar



Call Us
 +971 4 2231185

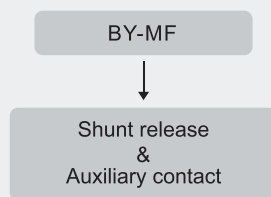


Our Address
 Shop No. 19, SUQ Al Kabeer Building,
 Bur Dubai, Dubai, UAE

Shunt Release and Auxiliary contact for BB1-63

- Shunt Release and Auxiliary contact for installation devices BB1-63
- Shunt release and Auxiliary contact

Type Instruction



BY-MF

Electrical parameters

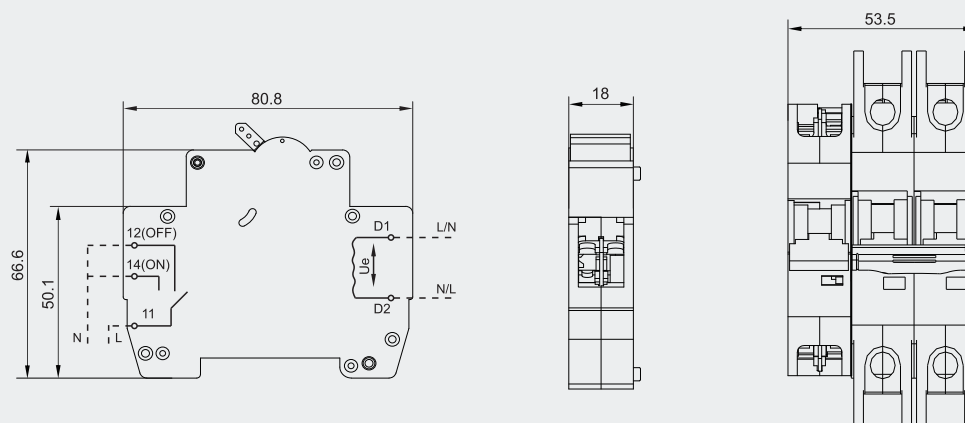
		BY-MF	
Contacts	2 changeover (CO)		
Contact function	Shunt Release & Auxiliary Contact		
Rated op. voltage	Shunt release	AC	Ie=2A Ue=220/415V Ie=2A Ue=24/48V
		DC	Ie=2A Ue=24/48V
	Auxiliary contact	AC	Ie=3A Ue=220/415V
		DC	Ie=3A Ue=24/48V
Rated frequency	50/60 Hz		

Mechanical parameters

Mounting	easy fastening onto 35 mm device rail		
Degree of protection	(DIN) IP20		
Terminals	lift		
Terminal capacity	≤1mm ²		
Fastening torque of terminals	0.8 — 1 N·m		
Working temperature	- 35 ~ + 70		



Dimensions(mm)(With Shunt Release & Auxiliary Contact)



Visit Our Website
www.maxima.solar



Call Us
+971 4 2231185



Our Address
Shop No. 19, SUQ Al Kaber Building,
Bur Dubai, Dubai, UAE