



Fronius Symo Advanced - Installation

10.0-3 208-240

15.0-3 480

20.0-3 480

22.7-3 480

24.0-3 480

Installation Instruction

Inverter for grid-connected photo-
voltaic system



Visit Our Website
www.maxima.solar



Call Us
+971 4 2231185



Our Address
**Shop No. 19, SUQ Al Kabeer Building,
Bur Dubai, Dubai, UAE**

IMPORTANT SAFETY INSTRUCTIONS - SAVE THESE INSTRUCTIONS

General

This manual contains important instructions for the inverter that must be followed during installation and maintenance of the inverter.

The inverter is designed and tested according to international safety requirements. Due to its electrical and electronic components, certain precautions must be taken when installing and operating the inverter.

In order to reduce the risk of injury to persons and to ensure safe installation and operation of the inverter, be sure to read these Operating Instructions carefully and follow all instructions and safety instructions.

Failure to observe the Operating Instructions and safety instructions can void the warranty and/or cause damage to the inverters or other property damage!

Safety

The following section "Safety" contains various warnings. A Warning describes a hazard to equipment or personnel. It calls attention to a procedure or practice, which, if not correctly performed or adhered to, could result in damage to or destruction of part or all of the Fronius inverter and/or other equipment connected to the Fronius inverter or personal injury.

Electrical installations

All electrical installations must be carried out in accordance with the National Electrical Code, ANSI/NFPA 70, and any other codes and regulations applicable to the installation site.

For installations in Canada, the installations must be done in accordance with applicable Canadian standards.

Safety EN-US



WARNING! Incorrect operation and incorrectly performed work can cause serious injury and damage to property. Only qualified staff are authorized to commission the inverter and only within the scope of the respective technical regulations. Do not commission the inverter or carry out maintenance work until you have read the safety rules.



WARNING! An electric shock can be fatal. Danger from grid voltage and DC voltage from solar modules that are exposed to light.

- Prior to all connection work, disconnect the AC and DC supply to the inverter.
- Only an authorized electrician is permitted to connect this inverter to the public grid.



WARNING! An electric shock can be fatal. Danger from grid voltage and DC voltage from solar modules.

- The DC main switch is used only to switch off power to the power stage set. When the DC main switch is turned off, the connection area is still energized.
- All maintenance and service work should only be carried out when the power stage set has been disconnected from the connection area.
- The separate power stage set area should only be disconnected from the connection area after first being disconnected from the grid power.
- Maintenance and service work on the inverter power stage set should only be carried out by Fronius-trained service technicians.



WARNING! An electric shock can be fatal. Inadequately sized electrical components can cause serious injury and damage to property.

- All electrical connections must be made in accordance with the National Electrical Code, ANSI/NFPA 70, and any other regulations applicable to the installation site.
- Installations in Canada must be carried out in accordance with applicable Canadian standards.
- Use min. 194 °F (90 °C) copper wire for all grounding wires (see NEC table 250.122).
- For all AC/DC wires, use a minimum of 167 °F (75 °C).
- Voltage drop and other considerations may mean larger cable cross sections need to be used.
- Use only solid or stranded wire. Do not use fine stranded wire.



WARNING! An electric shock can be fatal. Danger of residual voltage from capacitors. Wait until the capacitors have discharged. Discharge takes 5 minutes.



WARNING! An inadequate ground conductor connection can cause serious injury and damage to property. The housing screws provide an adequate ground conductor connection for grounding the housing and should not be replaced under any circumstances by other screws that do not provide a reliable ground conductor connection.



WARNING! Work performed incorrectly can cause serious injury and damage. The surge protection device should only be installed and connected by licensed electricians. Observe the safety rules! Prior to all installation and connection work, disconnect the AC and DC supply to the inverter.



CAUTION! The inverter can be damaged by soiling or water on the terminals and contacts in the connection area.

- When drilling, make sure that terminals and contacts in the connection area do not become soiled or wet.
- The wall bracket without the power stage set does not possess the same degree of protection as the complete inverter and, therefore, should not be attached without a power stage set. Protect the wall bracket from soiling and moisture during installation.



CAUTION! Danger of damaging the inverter due to improperly connected terminals. Improperly connected terminals can cause thermal damage to the inverter and may cause a fire. When connecting the AC and DC cables, make sure that all terminals are tightened securely using the proper torque.

Fire Prevention



CAUTION! Inverters and other current-carrying parts of a photovoltaic system may be damaged through faulty or improper installation. Faulty or improper installation may cause overheating of cables and terminals as well as the formation of arcs. This could cause thermal damage, which in turn may lead to fires.

Please note the following when connecting the AC and DC cables:

- Securely tighten all terminals using the proper torque listed in the Operating Instructions
- Securely tighten all grounding terminals (PE/GND) using the proper torque listed in the Operating Instructions, even for free grounding terminals
- Do not overload cables
- Check cables for damage and correct wiring
- Follow all safety instructions, Operating Instructions, and any local connection regulations

Always secure the inverter to the mounting bracket with fixing screws using the torque specified in the Operating Instructions.

Only put the inverter into operation with the fixing screws securely tightened.



CAUTION! Overloading the inverter may damage it.

- Observe the maximum current carrying capacity of the various power categories (see Table A).
- Only connect a maximum of 33 A to each DC terminal.
- Connect the DC+ and DC- cables to the correct DC+ and DC- terminals on the inverter.
- Observe the maximum DC input voltage.

Table A	
Power category	Current carrying capacity (MPP1/ MPP2)
10.0-3 208–240 / 12.0-3 208–240	25 A / 16.5 A
15.0-3 480 / 20.0-3 480 / 22.7-3 480 / 24.0-3 480	33 A / 25 A



NOTICE! Protection class NEMA4X is only ensured when the inverter is mounted and firmly screwed into the mounting bracket. The mounting bracket without inverter and ventilation channel has no NEMA protection.



NOTICE! Photovoltaic modules exposed to light supply current to the inverter.



NOTICE! When using cable inputs outdoors, ensure that these are sealed with NEMA4X protection before operation.



NOTICE! When installing using a metal carrier, the inverter should not be exposed to rainwater or water spray at the back. Ensure proper rainwater or spray water protection.



NOTICE! When installing outdoors, only use waterproof conduit fittings and conduits. Conduit fittings and conduits are not part of the scope of supply for the inverter.



NOTICE! When connecting aluminum cables:

- follow all national and international guidelines regarding the connection of aluminum cables
- follow the instructions of the cable manufacturer
- perform an annual check to ensure that the cables are firmly attached according to the proper torque



NOTICE! When connecting DC cables, ensure the polarity is correct.



NOTICE! Form a cable loop in accordance with NEC using all cables.



NOTICE! Follow general ESD guidelines when handling option cards.



NOTICE! Fronius will not bear any costs for production downtimes, or for installations, etc., which may arise due to a detected electric arc and its consequences. Fronius accepts no liability for fires which may break out despite integrated arc detection/interruption (e.g., due to a parallel arc).



NOTICE! Before an inverter can be reset following a detected electric arc, check the entire affected photovoltaic system for any damage.



NOTICE! If the insulation on the AC cable is not designed for a maximum of 1000 V, AC and DC cables must not cross in the inverter during connection. If it is impossible to prevent the cables crossing over during connection, the AC cable needs to be laid in a section of the conduit supplied with the inverter. In this case, AC and DC cables must only be laid together when the cable insulation is designed for the maximum possible voltage of 1000 V for both cables.



- NOTICE!**
- Make sure that the grid's neutral conductor is grounded. For insulated networks (without grounding), this is not the case, and operation of the inverter is not possible.
 - A neutral conductor is required for measurement purposes when operating the inverter. The neutral conductor must have a current carrying capacity of at least 1 A.

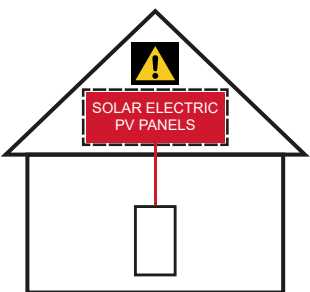
The manufacturer's specifications for connection, installation, and operation must be observed. You must carefully follow all installation steps and make all connections in accordance with specifications and regulations to minimize any risk of danger. The tightening torques for the respective terminals are listed in the Operating Instructions/Installation Instructions for each respective device.

Rapid shutdown

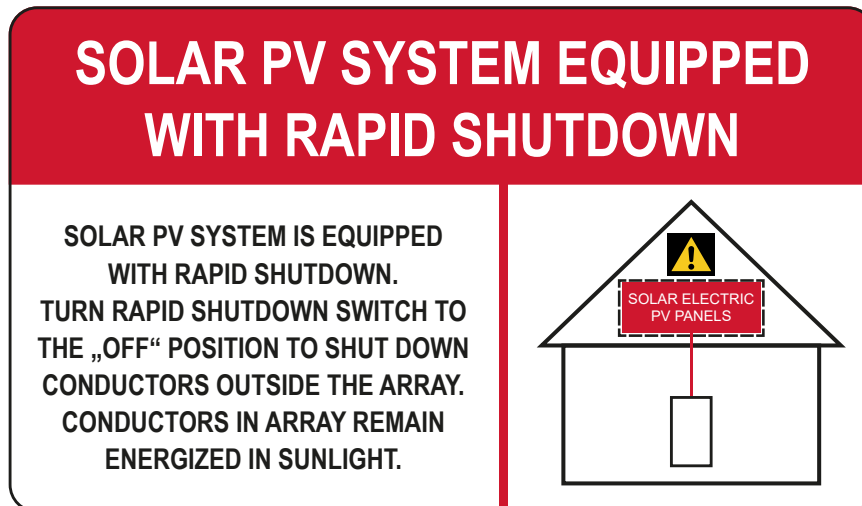
The **rapid shutdown (RSD)** can be triggered via **loss of the grid connection**: If the AC connection is lost, a rapid shutdown can be performed automatically. The inverter detects a loss of the AC connection and the lines are discharged to $< 30 V_{DC} / 8 A / 240 VA$ and $< 15 V_{AC} / 8 A / 240 VA$. The inverter also interrupts the communication to the PV modules if they comply with the SunSpec standard for Rapid Shutdown.

In case a module-level shutdown equipment within the PV array is used in combination with the inverter, this labeling has to be used according to NEC (Section 690.12), CEC (64-218):

SOLAR PV SYSTEM EQUIPPED WITH RAPID SHUTDOWN

<p style="text-align: center; font-weight: bold;">SOLAR PV SYSTEM IS EQUIPPED WITH RAPID SHUTDOWN. TURN RAPID SHUTDOWN SWITCH TO THE „OFF“ POSITION TO SHUT DOWN PV SYSTEM AND REDUCE SHOCK HAZARD IN ARRAY.</p>	
--	--

In case a string-level shutdown equipment at the PV array is used in combination with the inverter, this labeling has to be used according to NEC (Section 690.12), CEC (64-218).



Warning! The installer is responsible for the correct labeling of the PV system. The rapid shutdown requirement of the inverter is not affected by the FRT (fault ride through) capability, so the inverter is „Grid support interactive compatible“

Warning! This photovoltaic rapid shutdown equipment (PVRSE) does not perform all of the functions of a complete photovoltaic rapid shutdown system (PVRSS). This PVRSE must be installed with other equipment to form a complete PVRSS that meets the requirements of NEC (NFPA 70) section 690.12, CEC 6 section 4-218 for controlled conductors outside the array. Other equipment installed in or on this PV system may adversely affect the operation of the PVRSS. It is the responsibility of the installer to ensure that the completed PV system meets the rapid shutdown functional requirements. This equipment must be installed according to the manufacturer’s installation instructions

Warning! Risk due to unsuitable location of the inverter. Failure or limited operation of the inverter can be the result

- Location according to the information in the user manual.
- Observe national regulations and guidelines for the installation of the inverter.
- Observe the specifications of the PV module manufacturer for the rear mounting of the inverter on PV modules.

Self-test

A self-test of the RSD function can be performed manually or automatically. The self-test only affects the discharge circuit of the RSD function. All other RSD circuit components are implemented in a single-failure-proof manner.

Automatic self-test sequence: At each start - before switching on to the public network - the discharge circuit is activated for 10 ms if the DC voltage (40 V) is sufficient and the feedback pin is checked before and during charging.

Manual self-test sequence: A manual self-test can be triggered by an interruption of the AC connection (e.g.: AC breaker).

The discharge must be measured and checked using a multimeter.

Self-test error automatic: AC_SystemFailure

Fronius manufacturer's warranty

Detailed warranty conditions specific to your country can be found online: www.fronius.com/solar/garantie

To take advantage of the full warranty duration for your newly installed Fronius inverter or storage system, register your product at: www.solarweb.com.

CONSERVER LES CONSIGNES DE SÉCURITÉ IMPORTANTES DES PRÉSENTES INSTRUCTIONS DE SERVICE

Généralités

La présente notice contient des indications importantes relatives à l'onduleur, qui doivent être respectées lors de l'installation et de la maintenance de celui-ci.

L'onduleur a été construit et contrôlé en tenant compte des directives de sécurité internationales. En raison de ses composants électriques et électroniques, des mesures de sécurité spécifiques doivent être respectées lors de l'installation et fonctionnement de l'onduleur.

Lire avec attention les présentes instructions de service et suivre toutes les prescriptions et consignes de sécurité pour réduire tout risque de blessure corporelle ainsi que pour garantir une installation et un fonctionnement sécurisés de l'onduleur.

Le non-respect des instructions de service et des consignes de sécurité peut entraîner l'annulation de la garantie et/ou des dommages aux onduleurs ou d'autres dommages matériels !

Sécurité

Le chapitre suivant « Sécurité » contient différents avertissements. Un avertissement décrit un danger pour les personnes ou les appareils. Un avertissement attire l'attention sur des procédures et des modalités qui, si elles ne sont pas correctement exécutées, peuvent entraîner des dommages ou la destruction de l'onduleur ou des appareils qui lui sont raccordés ainsi que des blessures sur des personnes.

Installations électriques

Toutes les connexions électriques doivent être réalisées conformément aux prescriptions du National Electrical Code ANSI/NFPA 70 et aux directives en vigueur sur le site de l'installation.

Les installations au Canada doivent être réalisées conformément aux normes canadiennes en vigueur.

Sécurité FR



AVERTISSEMENT ! Les erreurs de manipulation et les erreurs en cours d'opération peuvent entraîner des dommages corporels et matériels graves. La mise en service de l'onduleur doit être effectuée uniquement par du personnel formé à cet effet et dans le cadre des dispositions techniques. Avant la mise en service et l'exécution de travaux d'entretien, lire les consignes de sécurité.



AVERTISSEMENT ! Une décharge électrique peut être mortelle. Danger en raison de la tension du secteur et de la tension DC des modules solaires exposés à la lumière.

- Avant toute opération de raccordement, veiller à ce que les côtés AC et DC en amont de l'onduleur soient hors tension.
- Le raccordement fixe au réseau électrique public doit être réalisé uniquement par un électricien agréé.



AVERTISSEMENT ! Une décharge électrique peut être mortelle. Danger en raison de la tension du secteur et de la tension DC des modules solaires.

- L'interrupteur principal DC sert exclusivement à la mise hors courant de l'étage de puissance. Lorsque l'interrupteur principal DC est déconnecté, la zone de raccordement reste sous tension.
- Les opérations de maintenance et de service doivent être exécutées uniquement lorsque l'étage de puissance et la zone de raccordement sont séparés.
- Le bloc indépendant de l'étage de puissance ne doit être séparé de la zone de raccordement que si l'ensemble est hors tension.
- Les opérations de maintenance et de service dans l'étage de puissance de l'onduleur doivent être exécutées uniquement par du personnel de service formé par Fronius.



AVERTISSEMENT ! Une décharge électrique peut être mortelle. Des composants électriques insuffisamment dimensionnés peuvent causer de graves dommages aux personnes et aux biens.

- Tous les raccordements électriques doivent être réalisés conformément aux prescriptions du National Electrical Code ANSI/NFPA 70 et aux directives en vigueur sur le site de l'installation.
- Les installations au Canada doivent être réalisées conformément aux normes canadiennes en vigueur.
- Utiliser des fils en cuivre, minimum 90 °C (194 °F), pour tous les câbles de mise à la terre (voir Tableau NEC 250.122).
- Utiliser des fils, minimum 75 °C (167 °F), pour tous les raccordements AC/DC.
- Une chute de tension et d'autres considérations peuvent exiger des sections de câble supérieures.
- Utiliser uniquement des fils rigides ou torsadés. Ne pas utiliser de fil torsadé fin.



AVERTISSEMENT ! Une décharge électrique peut être mortelle. Danger en raison de la tension résiduelle de condensateurs. Attendre l'expiration de la durée de décharge des condensateurs. Cette durée est de 5 minutes.



AVERTISSEMENT ! Une connexion de conducteur de terre insuffisante peut entraîner de graves dommages corporels et matériels. Les vis du boîtier constituent une connexion par conducteur de terre appropriée pour la mise à la terre du corps de l'appareil. Il ne faut en aucun cas remplacer ces vis par d'autres vis qui n'offriraient pas ce type de connexion de protection autorisée !



AVERTISSEMENT ! Les travaux mal réalisés peuvent entraîner des dommages corporels et matériels graves. Seuls des installateurs électriciens agréés sont habilités à effectuer l'installation et le raccordement d'une protection contre la surtension ! Respecter les consignes de sécurité ! Avant toute opération d'installation et de raccordement, veiller à ce que les côtés AC et DC en amont de l'onduleur soient hors tension.



ATTENTION ! Risque de dommages sur l'onduleur suite à l'encrassement ou la présence d'eau sur les bornes de raccordement et les contacts de la zone de raccordement.

- En perçant, veiller à ce que les bornes de raccordement et les contacts de la zone de raccordement ne soient pas salis ou mouillés.
- Le support mural sans étage de puissance ne correspond pas à l'indice de protection de l'onduleur complet et ne doit donc pas être installé sans étage de puissance. Lors du montage, protéger le support mural des salissures et de l'humidité.



ATTENTION ! Risque de dommages sur l'onduleur en raison de bornes de raccordement improprement serrées. Des bornes de raccordement mal serrées peuvent causer des dégâts thermiques sur l'onduleur et des incendies consécutifs. Lors du branchement des câbles AC et DC, veiller à serrer correctement toutes les bornes de raccordement au couple de serrage préconisé.

Prévention incendie



ATTENTION ! Risque de détérioration des onduleurs et autres composants sous tension d'une installation photovoltaïque en raison de montages défectueux ou incorrects. Des montages défectueux ou incorrects peuvent entraîner une surchauffe des câbles et des connexions et également provoquer des arcs électriques. Les dégâts thermiques qui en résultent peuvent provoquer des incendies.

Lors du raccordement de câbles AC et DC, respecter ce qui suit :

- serrer toutes les bornes de raccordement en respectant le couple de serrage figurant dans les instructions de service ;
- serrer toutes les bornes de mise à la terre (PE / GND) en respectant le couple de serrage figurant dans les instructions de service, y compris les bornes de mise à la terre libres ;
- ne pas surcharger les câbles ;
- vérifier les éventuels dommages sur les câbles ainsi que la correction du montage ;
- respecter les consignes de sécurité, les instructions de service ainsi que les directives de raccordement locales.

Toujours visser l'onduleur au support mural à l'aide des vis de fixation en respectant le couple de serrage figurant dans les instructions de service.

Mettre l'onduleur en service uniquement après avoir serré les vis de fixation !



ATTENTION ! Risque de dommages sur l'onduleur en raison d'une surcharge.

- Respecter l'intensité maximale admissible des différentes classes de puissance (voir tableau A).
- Raccorder au maximum 33 A à une même borne de raccordement DC.
- Raccorder les câbles DC+ et DC- aux bornes de raccordement DC+ et DC- de l'onduleur en respectant la polarité.
- Respecter la tension d'entrée DC maximale.

Tableau A	
Classe de puissance	Intensité admissible (MPP1 / MPP2)
10.0-3 208-240 / 12.0-3 208-240	25 A/16,5 A
15.0-3 480 / 20.0-3 480 / 22.7-3 480 / 24.0-3 480	33 A/25 A



REMARQUE ! L'indice de protection NEMA4X est valable uniquement lorsque l'onduleur est accroché et fermement vissé au support mural. Un support mural sans onduleur et canal d'aération ne présente aucune protection NEMA.



REMARQUE ! Les modules photovoltaïques recevant de la lumière fournissent du courant à l'onduleur.



REMARQUE ! Respecter les consignes suivantes en cas d'utilisation d'entrées de câbles : étanchéifier selon l'indice de protection NEMA4X avant toute utilisation en extérieur.



REMARQUE ! En cas de montage sur des supports métalliques, la face arrière de l'onduleur ne doit pas être exposée à l'eau de pluie ou aux projections d'eau. Prévoir une protection adaptée contre l'eau de pluie ou les projections d'eau.



REMARQUE ! Lors du montage en extérieur, utiliser exclusivement des gaines et des raccords de gaine étanches à l'eau. Les gaines et raccords de gaine ne sont pas compris dans la livraison de l'onduleur.



REMARQUE ! Lors du raccordement de câbles en aluminium :

- Respecter les directives nationales et internationales pour le raccordement de câbles en aluminium.
- Respecter les indications du fabricant de câbles.
- Vérifier une fois par an que les câbles sont bien serrés au couple de serrage indiqué.



REMARQUE ! Lors du raccordement de câbles DC, respecter la polarité.



REMARQUE ! Former une boucle de câble selon la norme NEC avec tous les câbles.



REMARQUE ! Lors de l'utilisation de cartes d'option, respecter les normes ESD (base de données européenne relative à la normalisation).



REMARQUE ! Fronius ne prend en charge aucun coût pour les pertes de production, frais d'installation, etc. résultant de la détection d'un arc électrique et de ses conséquences. Fronius décline toute responsabilité en cas de survenance d'incendie malgré la détection/l'interruption d'arc électrique intégrée (par ex. du fait d'un arc électrique parallèle).



REMARQUE ! Avant de réinitialiser l'onduleur après la détection d'un arc électrique, contrôler l'état de l'ensemble de l'installation photovoltaïque concernée.



REMARQUE ! Si l'isolation du câble AC n'est pas conçue pour un maximum de 1 000 V, les câbles AC et DC ne doivent pas être croisés lors du raccordement de l'onduleur. Si les câbles doivent inévitablement se croiser, le câble AC doit être inséré dans un morceau de tuyau de protection livré avec l'onduleur. Les câbles AC et DC peuvent uniquement être posés ensemble si les deux isolations sont conçues pour une tension maximum de 1 000 V.



REMARQUE !

- S'assurer que le conducteur neutre du réseau est bien mis à la terre. Ceci n'est pas le cas pour les réseaux isolés (sans mise à la terre), le fonctionnement de l'onduleur est donc impossible.
- Un conducteur neutre pour prendre des mesures est nécessaire pour le fonctionnement de l'onduleur. L'intensité admissible du conducteur neutre doit être d'au moins 1 A.

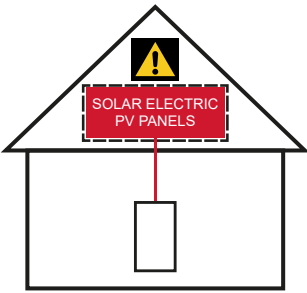
Il est impératif de respecter les indications du constructeur relatives au raccordement, à l'installation et au fonctionnement. Afin de réduire à un minimum le potentiel de risques, exécutez toutes les installations et connexions avec soin et en respectant les consignes et directives. Les couples de serrage des différentes connexions figurent dans les instructions de service/instructions d'installation des appareils.

Rapid Shutdown

Le **Rapid Shutdown (RSD)** peut être déclenché par une **perte de la connexion AC** : en cas de perte de la connexion AC, un Rapid Shutdown peut être automatiquement déclenché. L'onduleur détecte une panne de la connexion AC et les bornes de raccordement sont déchargées à $< 30 V_{DC} / 8 A / 240 VA$ et $< 15 V_{AC} / 8 A / 240 VA$. L'onduleur interrompt également la communication avec les modules solaires, si ceux-ci satisfont à la norme SunSpec relative au Rapid Shutdown.

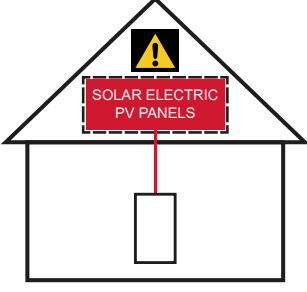
Si un équipement d'arrêt au niveau des modules au sein du réseau PV est utilisé en combinaison avec l'onduleur, ce marquage doit être utilisé conformément aux spécifications du NEC (section 690.12) et du CEC (section 64-218) :

SOLAR PV SYSTEM EQUIPPED WITH RAPID SHUTDOWN

<p style="text-align: center;">SOLAR PV SYSTEM IS EQUIPPED WITH RAPID SHUTDOWN. TURN RAPID SHUTDOWN SWITCH TO THE „OFF“ POSITION TO SHUT DOWN PV SYSTEM AND REDUCE SHOCK HAZARD IN ARRAY.</p>	
--	--

Si un équipement d'arrêt au niveau de la chaîne du réseau photovoltaïque est utilisé en combinaison avec l'onduleur, ce marquage doit être utilisé conformément aux spécifications du NEC (section 690.12) et du CEC (Section 64-218) :

SOLAR PV SYSTEM EQUIPPED WITH RAPID SHUTDOWN

<p style="text-align: center;">SOLAR PV SYSTEM IS EQUIPPED WITH RAPID SHUTDOWN. TURN RAPID SHUTDOWN SWITCH TO THE „OFF“ POSITION TO SHUT DOWN CONDUCTORS OUTSIDE THE ARRAY. CONDUCTORS IN ARRAY REMAIN ENERGIZED IN SUNLIGHT.</p>	
--	--

IMPORTANT !

L'installateur est responsable du marquage approprié de l'installation photovoltaïque. La demande d'arrêt rapide de l'onduleur n'est pas affectée par la fonction-FRT (fault ride through), l'onduleur est donc « Grid support interactive compatible » (« Compatible avec le support réseau interactif »).

Avertissement - Cet équipement photovoltaïque d'arrêt rapide (PVRSE) ne remplit pas toutes les fonctions d'un système photovoltaïque d'arrêt rapide complet (PVRSS). Ce PVRSE doit être installé avec d'autres équipements pour former un PVRSS complet qui répond aux exigences de la section 690.12 du NEC (NFPA 70) pour les conducteurs contrôlés à l'extérieur du réseau. D'autres équipements installés dans ou sur cette installation photovoltaïque peuvent nuire au fonctionnement du PVRSS. Il est de la responsabilité de l'installateur de s'assurer que l'installation photovoltaïque complète répond aux exigences fonctionnelles d'arrêt rapide. Cet équipement doit être installé conformément aux instructions d'installation du fabricant.

HINWEIS!

Risque dû à l'emplacement inadapté de l'onduleur.

Cela peut engendrer une panne ou un fonctionnement limité de l'onduleur.

- ▶ Respecter les informations concernant l'emplacement d'installation figurant au chapitre Choix du site de l'onduleur.
 - ▶ Respecter les réglementations et directives nationales pour le montage de l'onduleur.
 - ▶ Respecter les instructions du fabricant des modules solaires pour le montage arrière de l'onduleur sur les modules solaires.
-

Autocontrôle

Un autocontrôle de la fonction RSD peut être effectué de façon manuelle ou automatique. L'autocontrôle concerne uniquement le circuit de décharge de la fonction RSD. Tous les autres composants du circuit d'arrêt RSD sont configurés de façon particulièrement sûre afin d'éviter les erreurs.

Déroulement de l'autocontrôle automatique :

À chaque démarrage, avant la connexion au réseau public, le circuit de décharge est activé pendant 10 ms si la tension continue DC (40 V) est suffisante et la broche de feedback est vérifiée avant et pendant la charge.

Déroulement de l'autocontrôle manuel :

Un autocontrôle manuel peut être déclenché par une interruption de la connexion AC (par ex. : disjoncteur AC).

La décharge doit être mesurée et contrôlée au moyen d'un multimètre.

Erreur d'autocontrôle automatique : AC_SystemFailure

Garantie constructeur Fronius

Les conditions de garantie détaillées, spécifiques au pays, sont disponibles sur Internet : www.fronius.com/solar/warranty

Afin de bénéficier pleinement de la durée de garantie de votre nouvel onduleur ou accumulateur Fronius, vous devez vous enregistrer sur : www.solarweb.com.

INFORMACIÓN DE SEGURIDAD IMPORTANTE - CONSERVE ESTE MANUAL DE INSTRUCCIONES

Generalidades

Este manual incluye instrucciones importantes sobre el inversor que deben cumplirse en relación con la instalación y el mantenimiento del mismo.

El inversor ha sido diseñado y comprobado según las disposiciones de seguridad internacionales. Debido a sus componentes eléctricos y electrónicos, es necesario tener en cuenta determinadas medidas de precaución durante la instalación y el servicio del inversor. A fin de reducir el riesgo de lesiones para las personas, así como para garantizar una instalación y un servicio seguros del inversor, es necesario leer detenidamente este manual de instrucciones y seguir todas las instrucciones e indicaciones de seguridad.

¡El incumplimiento de este manual de instrucciones y de las instrucciones de seguridad puede dar lugar a la anulación de la garantía y/o daños en el inversor o implicar otro tipo de daños materiales!

Seguridad

El siguiente apartado "Seguridad" incluye diferentes advertencias. Una advertencia describe un peligro para las personas o los aparatos. Una advertencia advierte sobre procedimientos y procesos cuya realización incorrecta puede dar lugar a daños y a la destrucción del inversor y/o de los aparatos conectados al inversor, así como a lesiones de las personas.

Instalaciones eléctricas

Todas las conexiones eléctricas deben realizarse según el National Electrical Code ANSI/NFPA 70 y las demás directivas vigentes en el lugar de instalación.

Las instalaciones en Canadá deben realizarse según las normas canadienses vigentes.

Seguridad ES



¡ADVERTENCIA! El manejo incorrecto y los trabajos mal realizados pueden causar graves lesiones personales y daños materiales. Solo el personal cualificado debe poner en servicio el inversor en el marco de las disposiciones técnicas. Antes de la puesta en marcha y la realización de trabajos de mantenimiento, resulta imprescindible leer las normas de seguridad.



¡ADVERTENCIA! Las descargas eléctricas pueden ser mortales. Peligro originado por la tensión de red y la tensión CC de los módulos solares expuestos a la luz.

- Antes de realizar cualquier tipo de trabajo de conexión, procurar que los lados CA y CC delante del inversor no tengan tensión.
- La conexión fija a la red de corriente abierta solo puede establecerla un instalador eléctrico autorizado.



¡ADVERTENCIA! Las descargas eléctricas pueden ser mortales. Peligro originado por la tensión de red y la tensión CC de los módulos solares.

- El interruptor principal CC sirve exclusivamente para conmutar la etapa de potencia sin corriente. Si el interruptor principal CC está desconectado, la zona de conexión sigue estando bajo tensión.
- Las actividades de mantenimiento y servicio solo se pueden llevar a cabo si la etapa de potencia y la zona de conexión están separadas entre sí.
- La zona separada de la etapa de potencia solo se puede separar de la zona de conexión cuando no tiene tensión.
- Las actividades de mantenimiento y servicio en la etapa de potencia del inversor solo deben ser realizadas por el servicio técnico cualificado de Fronius.



¡ADVERTENCIA! Las descargas eléctricas pueden ser mortales. Los componentes electrónicos que no estén dimensionados correctamente pueden causar graves daños personales y materiales.

- Todas las conexiones eléctricas deben realizarse según el National Electrical Code ANSI/NFPA 70 y las demás directivas vigentes para el lugar de instalación.
- Las instalaciones en Canadá deben realizarse según las normas canadienses vigentes.
- Para todos los cables de puesta a tierra deben utilizarse hilos de cobre con al menos 194 °F (90 °C) (ver NEC tabla 250.122).
- Para todos los cables CA/CC, utilizar mín. 167 °F (75 °C).
- En caso de pérdida de tensión y otras consideraciones, puede que se requieran mayores secciones transversales de cables.
- Utilizar solo hilo firme o hilo múltiple. No utilizar hilo múltiple fino.



¡ADVERTENCIA! Las descargas eléctricas pueden ser mortales. Peligro originado por la tensión residual de los condensadores. Esperar hasta que se descarguen los condensadores. El tiempo de descarga es de 5 minutos.



¡ADVERTENCIA! Una conexión insuficiente del conductor protector puede ocasionar lesiones personales y daños materiales graves. Los tornillos de la caja garantizan una conexión adecuada del conductor protector para la puesta a tierra de esta y no deben sustituirse nunca por otros tornillos que no garanticen una conducción fiable del conductor protector.



¡ADVERTENCIA! Los trabajos realizados de forma incorrecta pueden causar graves daños materiales y personales. Solo un instalador de sistemas eléctricos certificado puede realizar los trabajos de montaje y conexión de una protección contra sobretensiones. Deben tenerse en cuenta las normas de seguridad. Antes de realizar cualquier tipo de trabajo de montaje y conexión se debe procurar que los lados CA y CC delante del inversor no tengan tensión.



¡PRECAUCIÓN! Peligro de dañar el inversor debido a suciedad o agua en los bornes de conexión y en los contactos de la zona de conexión.

- Al taladrar, debe prestarse atención a que los bornes de conexión y los contactos de la zona de conexión no se ensucien ni humedezcan.
- El soporte mural sin la etapa de potencia no corresponde al tipo de protección de todo el inversor, por lo que no debe montarse sin la etapa de potencia. Durante el montaje, proteger el soporte mural frente a la suciedad y la humedad.



¡PRECAUCIÓN! Peligro de dañar el inversor por no estar correctamente apretados los bornes de conexión. Si los bornes de conexión no están apretados correctamente, pueden provocar daños térmicos en el inversor y, por tanto, causar incendios. Al conectar cables CA y CC, debe prestarse atención a que todos los bornes de conexión estén apretados firmemente con el par indicado.

Prevención de incendios



¡PRECAUCIÓN! Riesgo de dañar los inversores y otros componentes bajo corriente de una instalación fotovoltaica debido a instalaciones deficientes o incorrectas, que pueden provocar un sobrecalentamiento de los cables y de los puntos de sujeción, así como generar arcos voltaicos. Pueden producirse daños térmicos que provoquen incendios.

A la hora de conectar cables CA y CC, debe tenerse en cuenta lo siguiente:

- Apretar firmemente todos los bornes de conexión con el par indicado en el manual de instrucciones
- Apretar todos los bornes de puesta a tierra (PE / GND) con el par indicado en el manual de instrucciones, incluyendo los bornes de puesta a tierra libres
- No sobrecargar los cables
- Comprobar que los cables estén bien tendidos y no presenten daños
- Tener en cuenta las instrucciones de seguridad, el manual de instrucciones y las instrucciones de conexión

Atornillar el inversor siempre mediante los tornillos de fijación firmemente al soporte mural, según el par indicado en el manual de instrucciones.

¡Poner el inversor únicamente en servicio con los tornillos de fijación apretados!



¡PRECAUCIÓN! Riesgo de dañar el inversor por sobrecarga.

- Tener en cuenta la máxima intensidad de corriente admisible de los diferentes rangos de potencia (ver la tabla A).
- Conectar como máximo 33 A a un solo borne de conexión CC.
- Conectar los cables CC+ y CC- con la polaridad correcta a los bornes de conexión CC+ y CC- del inversor.
- Tener en cuenta la máxima tensión de entrada CC.

Tabla A	
Rango de potencia	Intensidad de corriente admisible (MPP1 / MPP2)
10.0-3 208-240 / 12.0-3 208-240	25 A / 16,5 A
15.0-3 480 / 20.0-3 480 / 22.7-3 480 / 24.0-3 480	33 A / 25 A



¡OBSERVACIÓN! El tipo de protección NEMA4X únicamente es aplicable cuando el inversor está enganchado en el soporte mural y firmemente atornillado al mismo. El soporte mural sin inversor y canal de ventilación no dispone de protección NEMA.



¡OBSERVACIÓN! Los módulos fotovoltaicos que están expuestos a la luz suministran corriente al inversor.



¡OBSERVACIÓN! En caso de utilizar las entradas de cables, debe tenerse en cuenta lo siguiente: impermeabilizar hasta conseguir el tipo de protección NEMA4X antes del servicio en el exterior.



¡OBSERVACIÓN! En caso de montaje en soportes de metal, el inversor no debe estar expuesto a agua pluvial ni a proyecciones de agua desde el lado posterior. Disponer de una protección adecuada contra agua pluvial o contra proyecciones de agua.



¡OBSERVACIÓN! En caso de montaje en zonas exteriores, deben utilizarse exclusivamente racores de conducto y conductos impermeables. El volumen de suministro del inversor no incluye los racores de conducto ni los conductos.



¡OBSERVACIÓN! Al conectar cables de aluminio:

- Tener en cuenta las directivas nacionales e internacionales para la conexión de cables de aluminio.
- Tener en cuenta las indicaciones del fabricante de los cables.
- Anualmente debe comprobarse el asiento firme de los cables según el par indicado.



¡OBSERVACIÓN! Al conectar los cables CC, prestar atención a la polaridad correcta.



¡OBSERVACIÓN! Formar con todos los cables un bucle de cables según NEC.



¡OBSERVACIÓN! Para el manejo de tarjetas opcionales se deben tener en cuenta las disposiciones ESD generales.



¡OBSERVACIÓN! Fronius no asume ningún coste por pérdidas de producción, costes de instalador, etc. que puedan producirse debido a un arco voltaico detectado y sus consecuencias. Fronius no asume ninguna responsabilidad por fuego e incendios que puedan producirse a pesar de la detección/interrupción integrada de arco voltaico (p. ej. debido a un arco voltaico paralelo).



¡OBSERVACIÓN! Antes de resetear el inversor después de haber detectado un arco voltaico, comprobar toda la instalación fotovoltaica afectada con respecto a posibles daños.



¡OBSERVACIÓN! Si el aislamiento del cable CA no está diseñado para un máximo de 1000 V, no se deben cruzar los cables CA y CC al conectar el inversor. Si es inevitable cruzar los cables al realizar la conexión, el cable CA debe instalarse en un tramo del tubo de protección suministrado con el inversor. Los cables CA y CC deben instalarse juntos solo si el aislamiento de ambos cables está diseñado para la máxima tensión posible de 1000 V.



¡OBSERVACIÓN!

- Asegurarse de que el conductor neutro de la red esté conectado a tierra. En las redes aisladas (sin puesta a tierra) no se da esta circunstancia y no es posible poner en servicio el inversor.
- El servicio de inversor requiere un conductor neutro para fines de medición. La intensidad de corriente admisible del conductor neutro debe ser de al menos 1 A.

Resulta imprescindible cumplir las indicaciones del fabricante para conexión, instalación y servicio. Realice con esmero todas las instalaciones y uniones, según las especificaciones y prescripciones, para reducir al mínimo el potencial de peligro. Los pares de apriete de los correspondientes puntos de apriete figuran en el manual de instrucciones o en las instrucciones de instalación de los equipos.

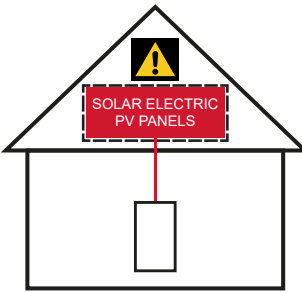
Cierre rápido (Rapid Shutdown)

El **cierre rápido (Rapid Shutdown, RSD)** puede activarse a través de la **pérdida de la conexión CA**: : en caso de pérdida de la conexión CA, puede realizarse automáticamente un cierre rápido. El inversor detecta una avería en la conexión CA y los bornes de conexión se descargan a $< 30 V_{DC} / 8 A / 240 VA$ y $< 15 V_{AC} / 8 A / 240$. El inversor interrumpe también la comunicación con los módulos solares si estos cumplen el estándar SunSpec para un cierre rápido.

En caso de que se utilice un sistema de cierre al nivel del módulo dentro del módulo solar en combinación con el inversor, se debe utilizar este etiquetado según el NEC (apartado 690.12), CEC (apartado 64-218):

SOLAR PV SYSTEM EQUIPPED WITH RAPID SHUTDOWN

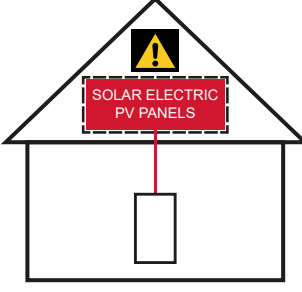
SOLAR PV SYSTEM IS EQUIPPED WITH RAPID SHUTDOWN. TURN RAPID SHUTDOWN SWITCH TO THE „OFF“ POSITION TO SHUT DOWN PV SYSTEM AND REDUCE SHOCK HAZARD IN ARRAY.



En caso de que se utilice un sistema de cierre al nivel de la serie fotovoltaica en el módulo solar en combinación con el inversor, se debe utilizar este etiquetado según el NEC (apartado 690.12), CEC (apartado 64-218):

SOLAR PV SYSTEM EQUIPPED WITH RAPID SHUTDOWN

SOLAR PV SYSTEM IS EQUIPPED WITH RAPID SHUTDOWN. TURN RAPID SHUTDOWN SWITCH TO THE „OFF“ POSITION TO SHUT DOWN CONDUCTORS OUTSIDE THE ARRAY. CONDUCTORS IN ARRAY REMAIN ENERGIZED IN SUNLIGHT.



¡IMPORTANTE!

La empresa instaladora es responsable de la correcta identificación de la instalación fotovoltaica. La función FRT- (Fault Ride Through) no influye en la solicitud de cierre rápido del inversor, por lo que el inversor es "compatible con soportes de red interactivos".

Advertencia: Este equipo fotovoltaico de cierre rápido (PVRSE) no realiza todas las funciones de un sistema fotovoltaico de cierre rápido completo (PVRSS). Este PVRSE debe instalarse junto con otro equipo para formar un PVRSS completo que cumpla los requisitos que figuran en el apartado 690.12 del NEC (NFPA 70) para los conductores controlados fuera del módulo. Es posible que la instalación de otros equipos en o sobre esta instalación fotovoltaica afecten negativamente en el funcionamiento del PVRSS. La empresa instaladora es la responsable de garantizar que la instalación fotovoltaica completa cumpla los requisitos funcionales de cierre rápido. La instalación de este equipo debe realizarse conforme a las instrucciones de su fabricante.

HINWEIS!

Existen riesgos por una elección errónea del emplazamiento del inversor.

Puede tener como consecuencia averías en el inversor o la limitación de su operación.

- ▶ Tener en cuenta las indicaciones en relación con el emplazamiento descritas en el capítulo Selección del emplazamiento del inversor.
 - ▶ Tener en cuenta las normas estatales acerca del montaje del inversor.
 - ▶ Tener en cuenta las indicaciones del fabricante del módulo solar para el montaje posterior del inversor en los módulos solares.
-

"Autotest"

La función RSD puede realizar un test propio de modo automático o manual. El "Autotest" solo afecta a la conmutación de descarga de la función RSD. El resto de componentes de conmutación RSD están fabricados a prueba de fallos.

Proceso de "Autotest" automático:

En cada proceso de inicio (antes de la conexión a la red pública), si se dispone de la suficiente tensión CC (40 V) se activa la conmutación de descarga durante 10 ms y se comprueba el pin de feedback antes y durante la carga.

Proceso de "Autotest" manual:

Se puede activar un "Autotest" manual a través de la interrupción de la conexión CA (p. ej., un disyuntor de CA).

La descarga debe medirse y comprobarse con un multímetro.

Error del "Autotest" automático: AC_SystemFailure

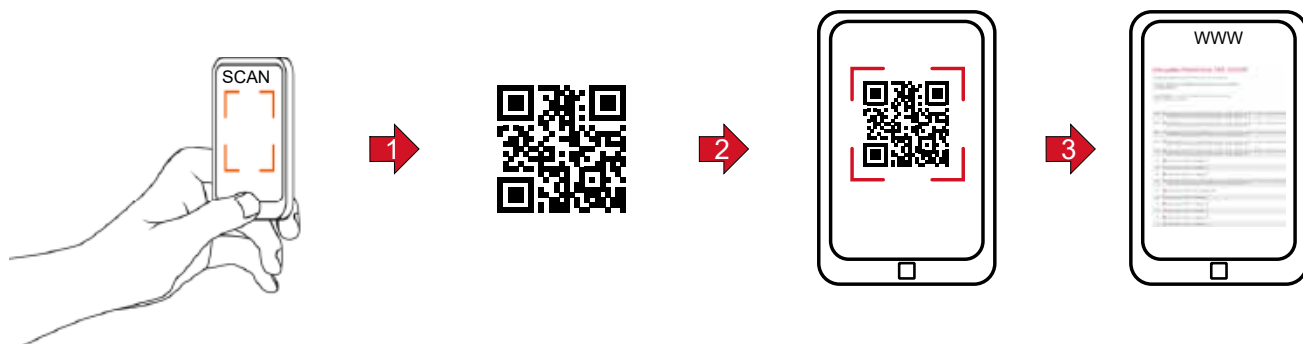
Garantía de fábrica de Fronius

Las cláusulas de garantía detalladas específicas para cada país están disponibles en Internet:

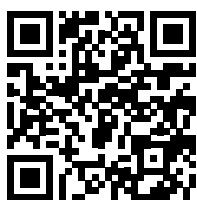
www.fronius.com/solar/warranty

Para poder disfrutar de todo el período de garantía para la batería de almacenamiento o el inversor Fronius que ha instalado recientemente, rogamos que se registre en: www.solarweb.com.

Fronius Symo Installation Help



English

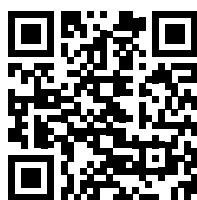


English

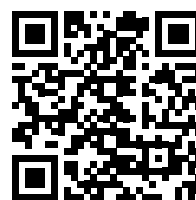
Français

Español

Français



Español

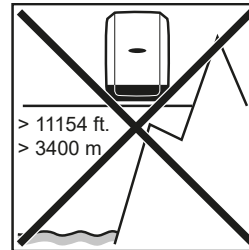
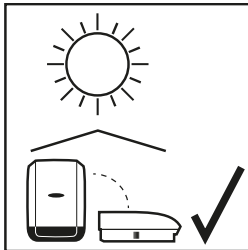
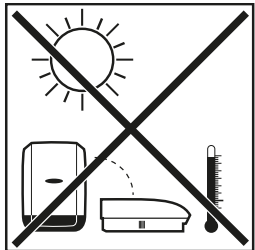
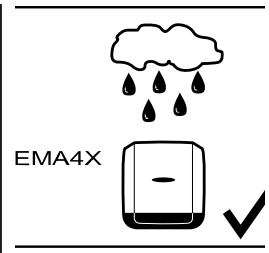
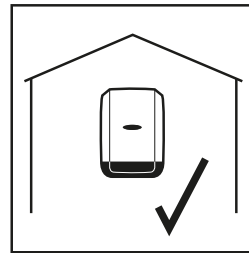


www.fronius.com/QR-link/4204260202EA

www.fronius.com/QR-link/4204260202FR

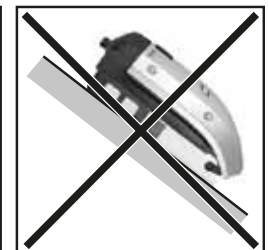
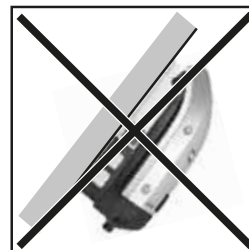
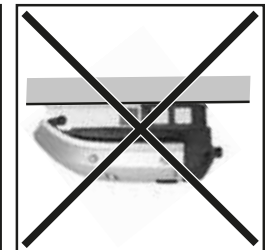
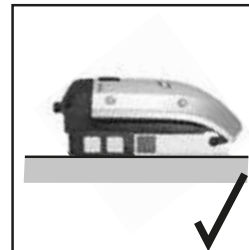
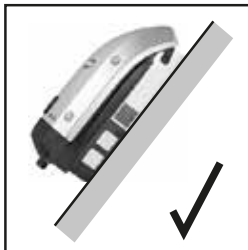
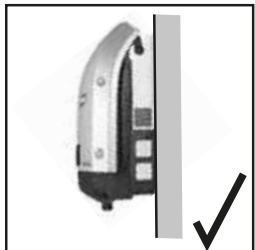
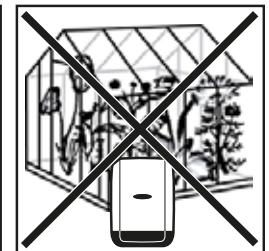
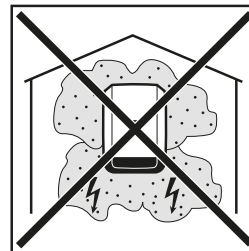
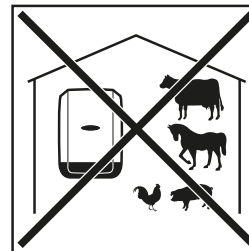
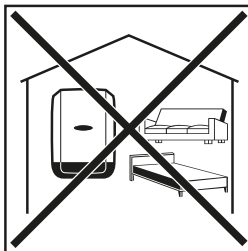
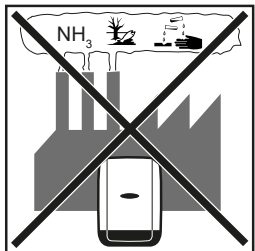
www.fronius.com/QR-link/4204260202ES

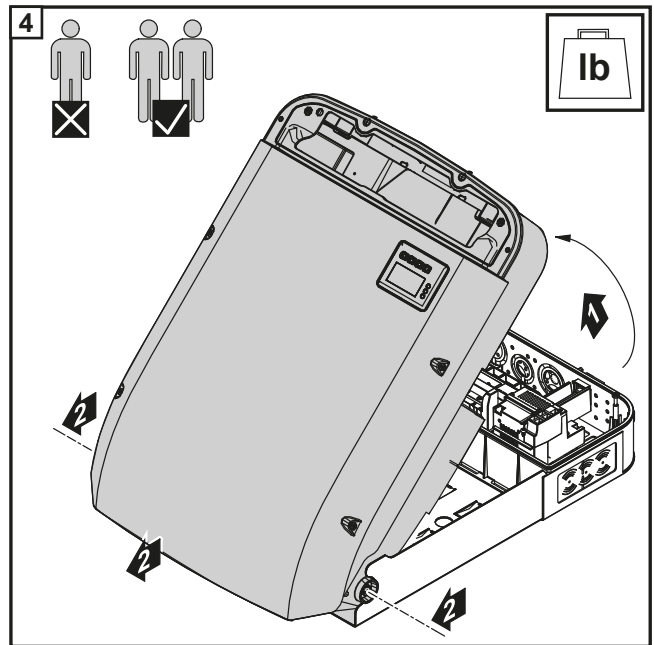
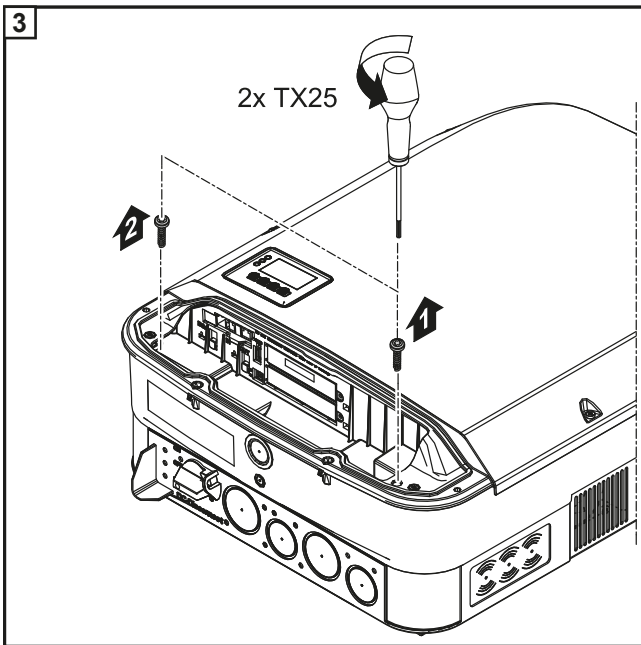
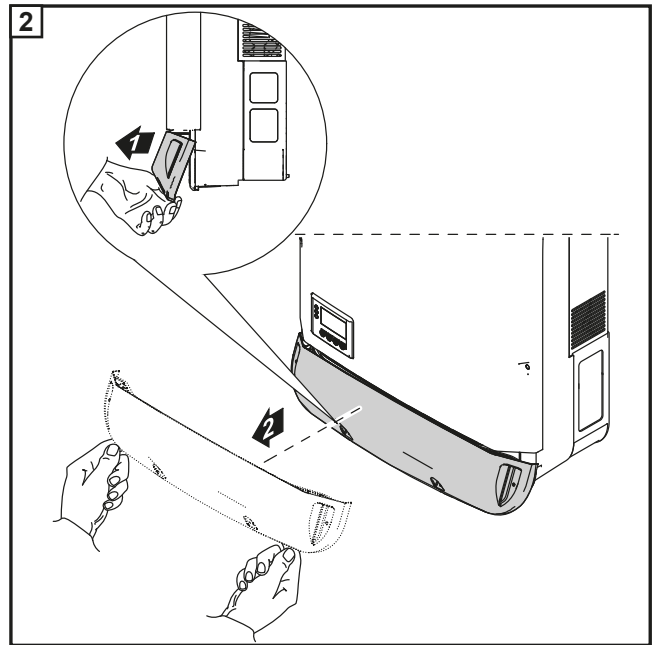
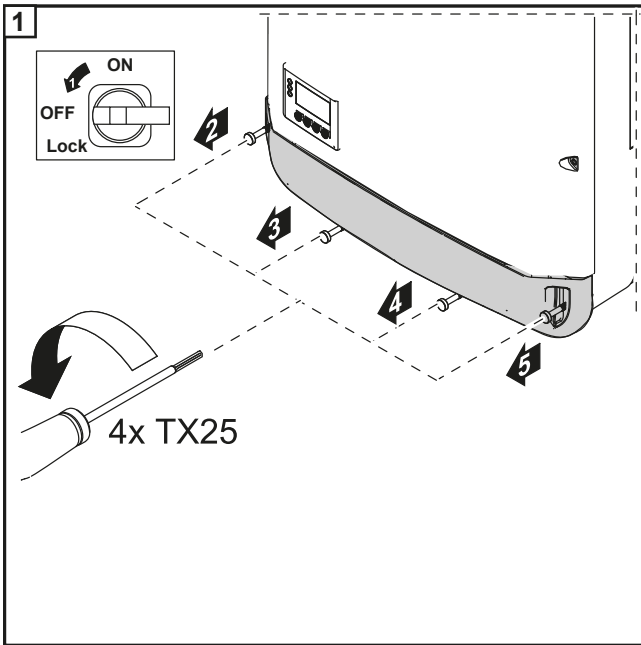
Fronius Symo Installation

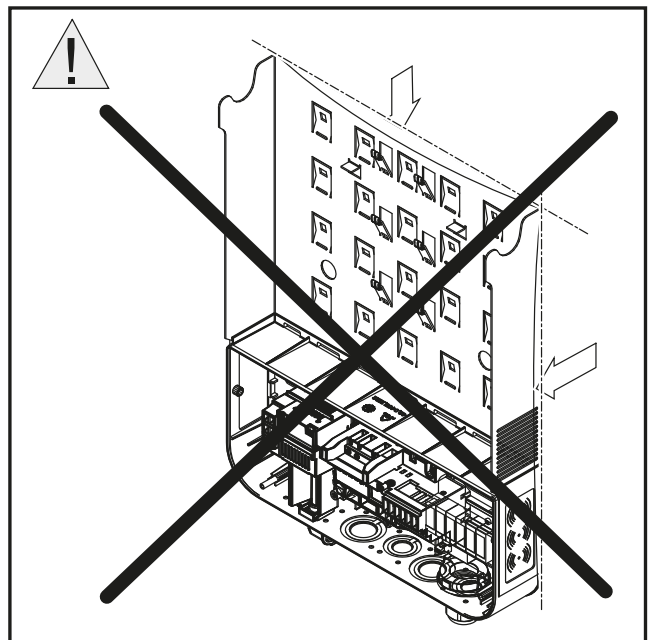
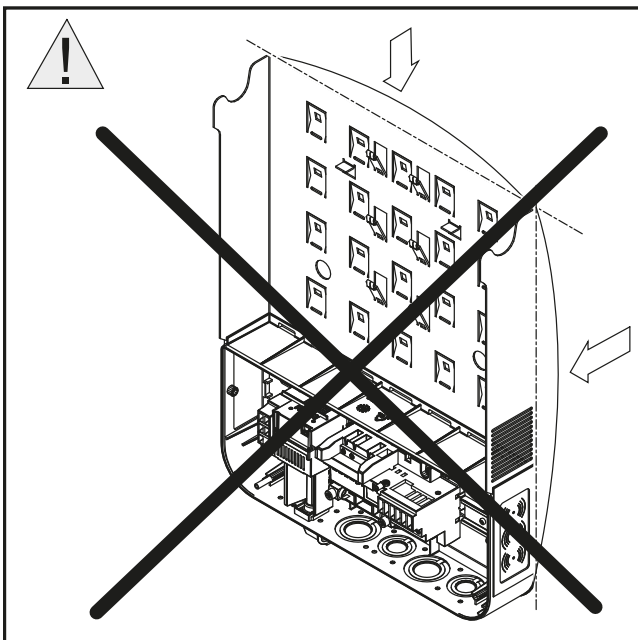
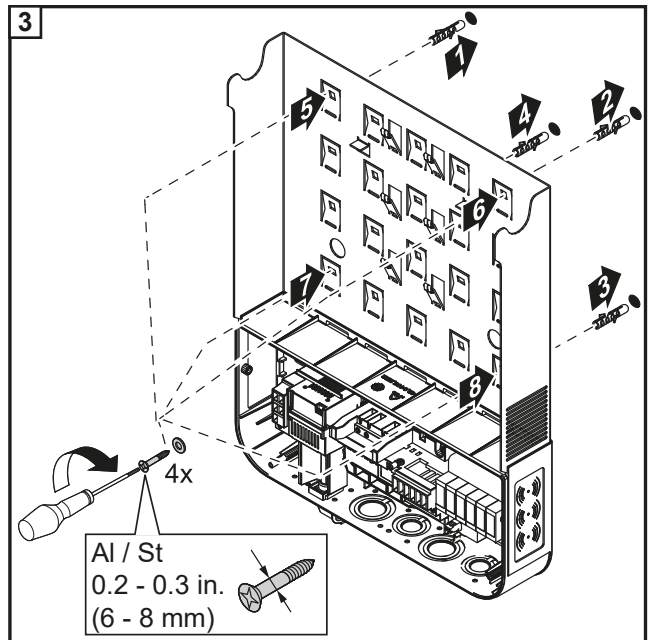
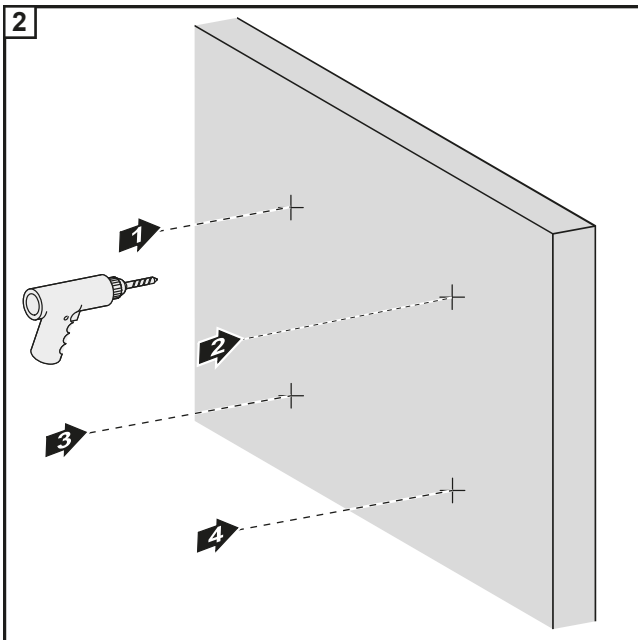
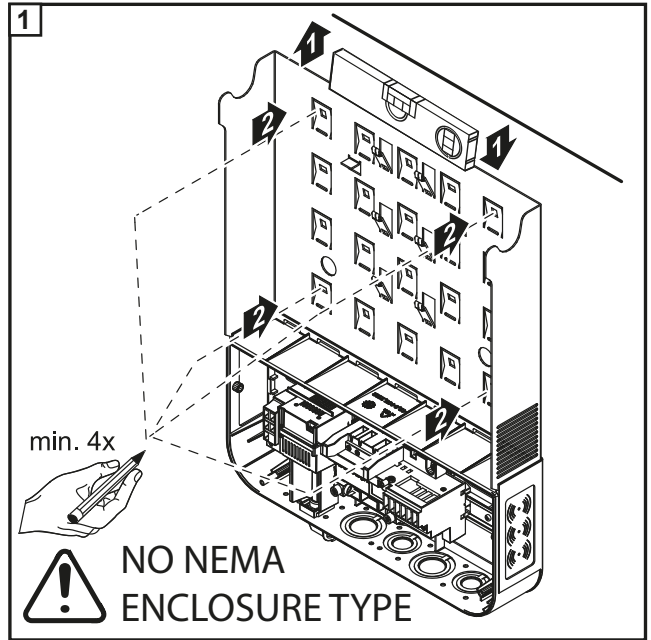
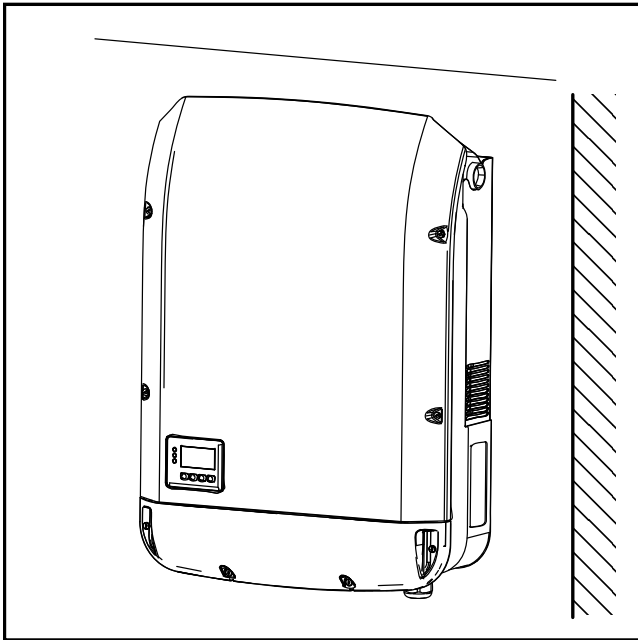


10.0-3 - 12.0-3 208-240	
ft. (m)	U_{DCmax}
0 - 11154 ft. (0 - 3400 m)	600 V

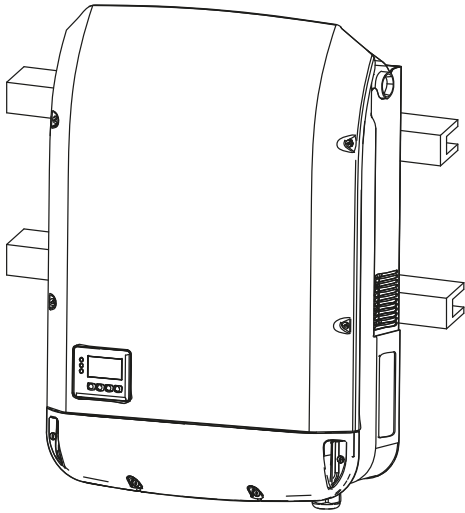
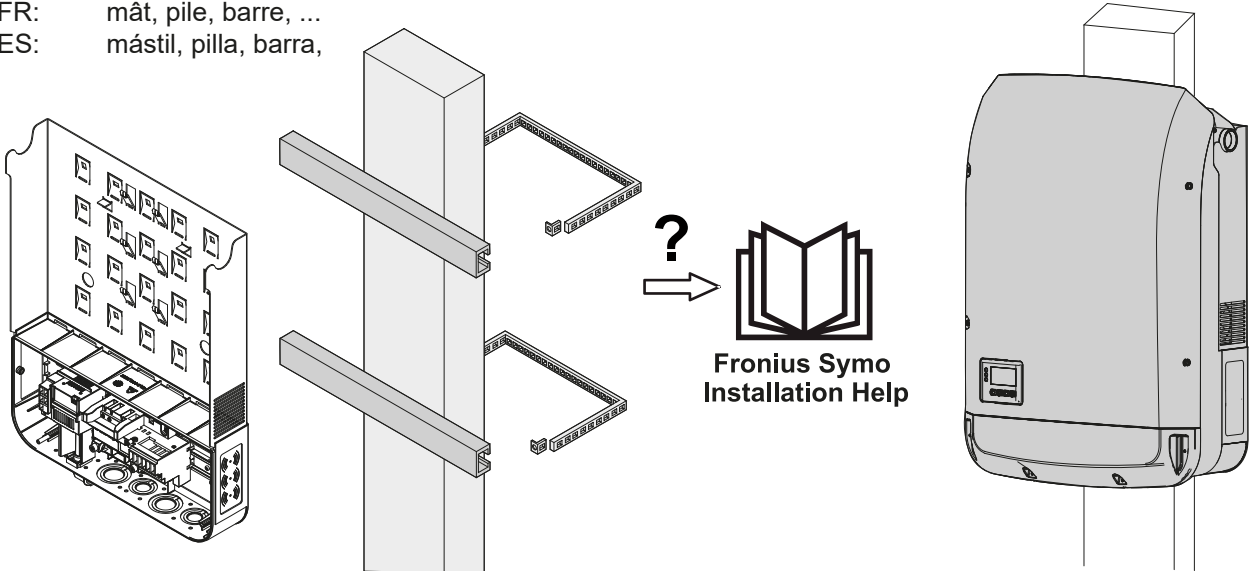
15.0-3 - 24.0-3 480	
ft. (m)	U_{DCmax}
> 9842 - 11154 ft. (> 3000 - 3400 m)	850 V
> 8202 - 9842 ft. (> 2500 - 3000 m)	900 V
> 6561 - 8202 ft. (> 2000 - 2500 m)	950 V
0 - 6561 ft. (0 - 2000 m)	1000 V



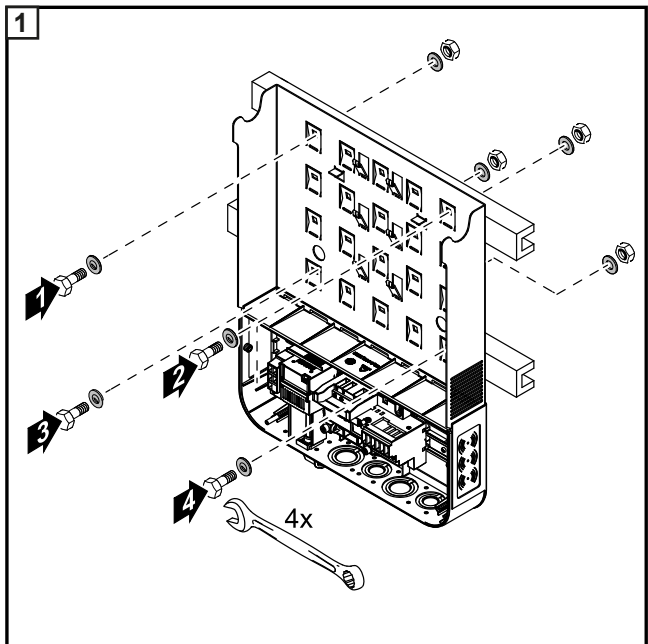




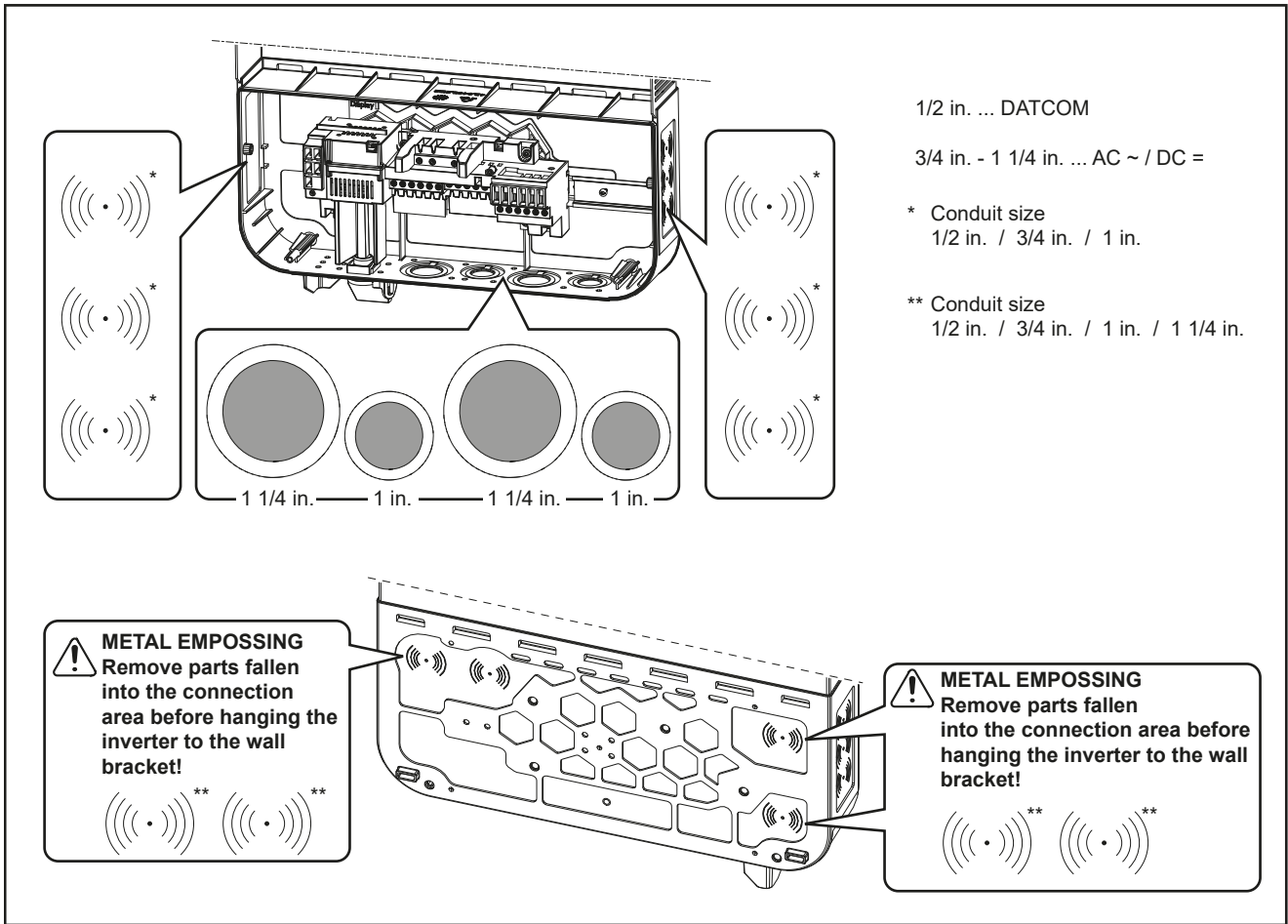
EN-US: mast, pole, pile, ...
 FR: mât, pile, barre, ...
 ES: mástil, pilla, barra,

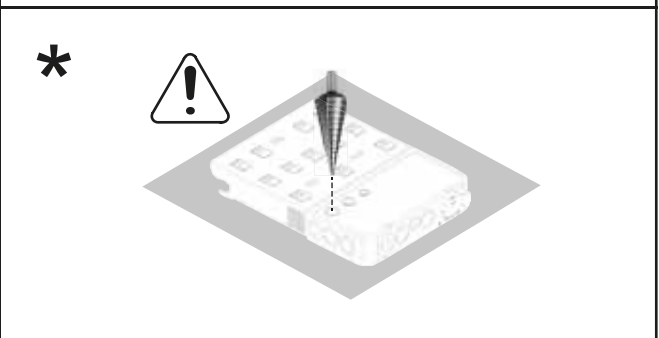
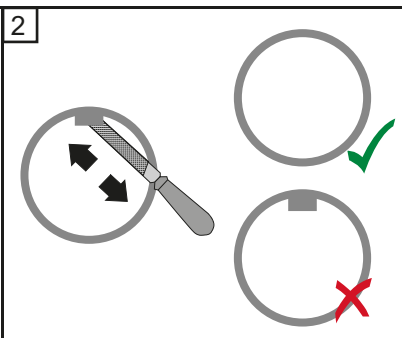
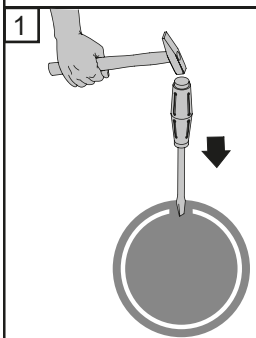
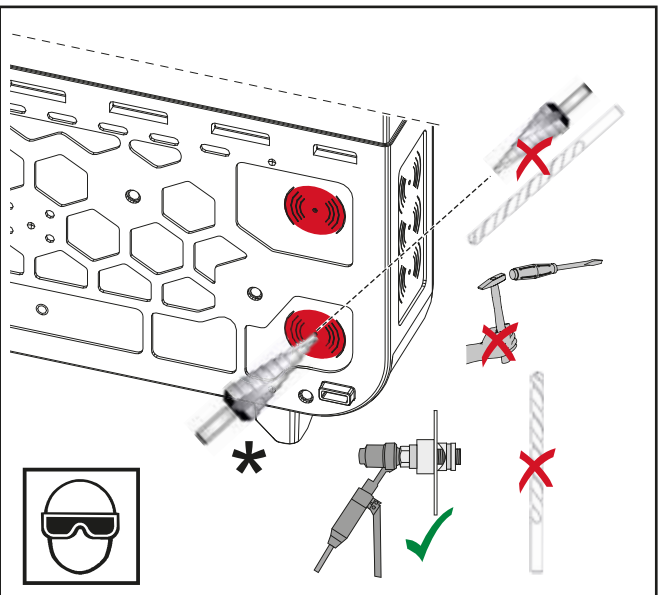
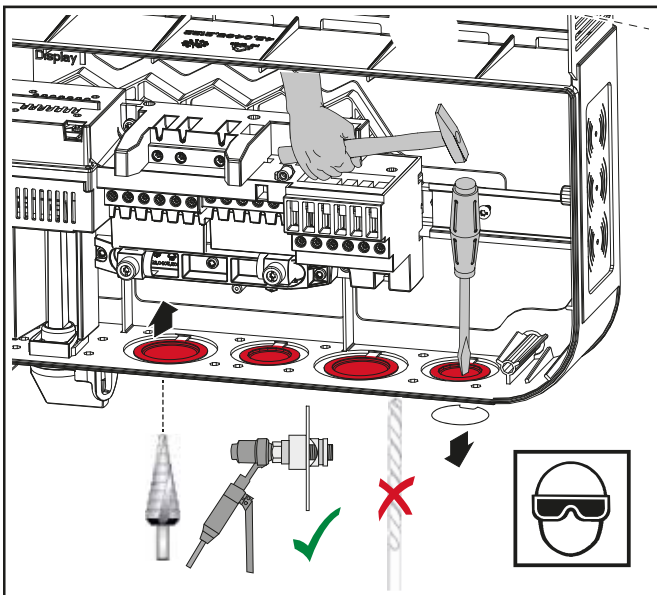
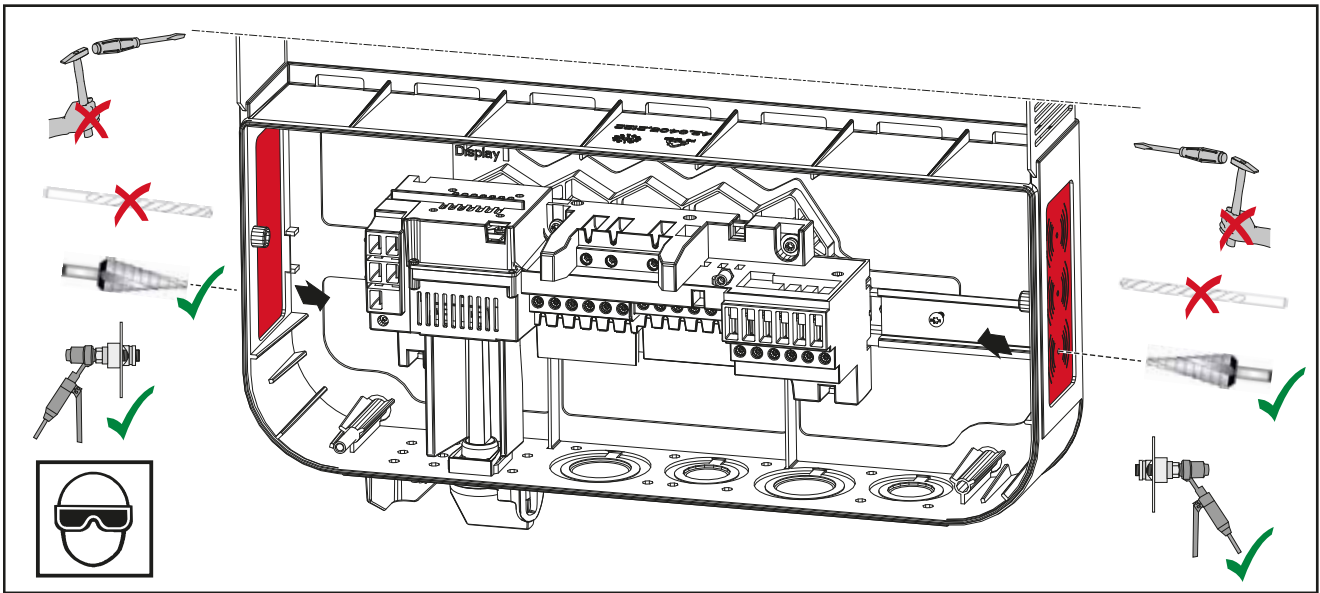


EN-US: Mounting to a metal carrier
 FR: Montage sur un support métallique
 ES: Montaje en un soporte de metal



Knockouts



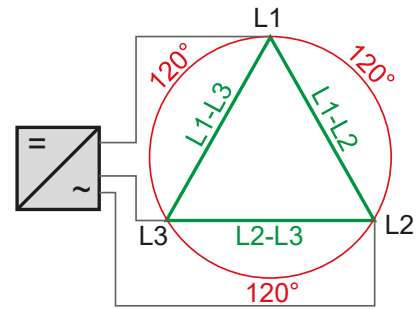


Appropriate Grids

Delta No neutral conductor

Setup: Nominal voltage:
 208 208 V
 240 240 V
 220 220 V
 BR 220 V
 50HZ 50 Hz 208 - 240 V

Appropriate Inverters:
 Symo Advanced
 10.0-3 208-240 / 12.0-3
 208-240

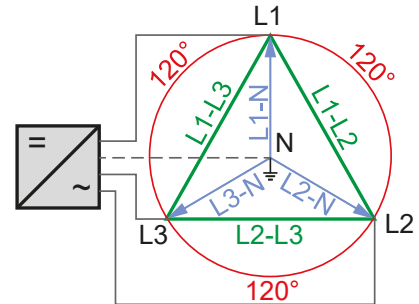


MG 3P Microgrid 208 V
 MG 1P Microgrid 240 V

WYE Neutral conductor necessary

Setup: Nominal voltage:
 208N 208 V
 220N 220 V
 BR N 220 V
 50HN 220 V
 HI2 50 Hz 208 - 240 V
 208 V

Appropriate Inverters:
 Symo Advanced
 10.0-3 208-240 / 12.0-3
 208-240



480N 480 V
 440N 440 V
 50HN 50 Hz 415 V
 208 V

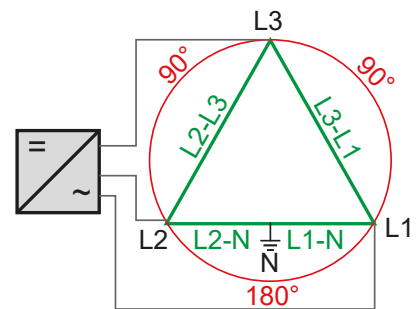
Symo Advanced
 15.0-3 480 / 20.0-3 480 /
 22.7-3 480 / 24.0-3 480

MG 3N
 MG 2N Microgrid 208 V
 MG 5N Microgrid 50 Hz 208 - 240 V
 MG 6 Microgrid 50 Hz 415 V
 Microgrid 480 V
 CAL3
 HI3 480 V
 480 V

Hi-Leg Delta Neutral conductor necessary

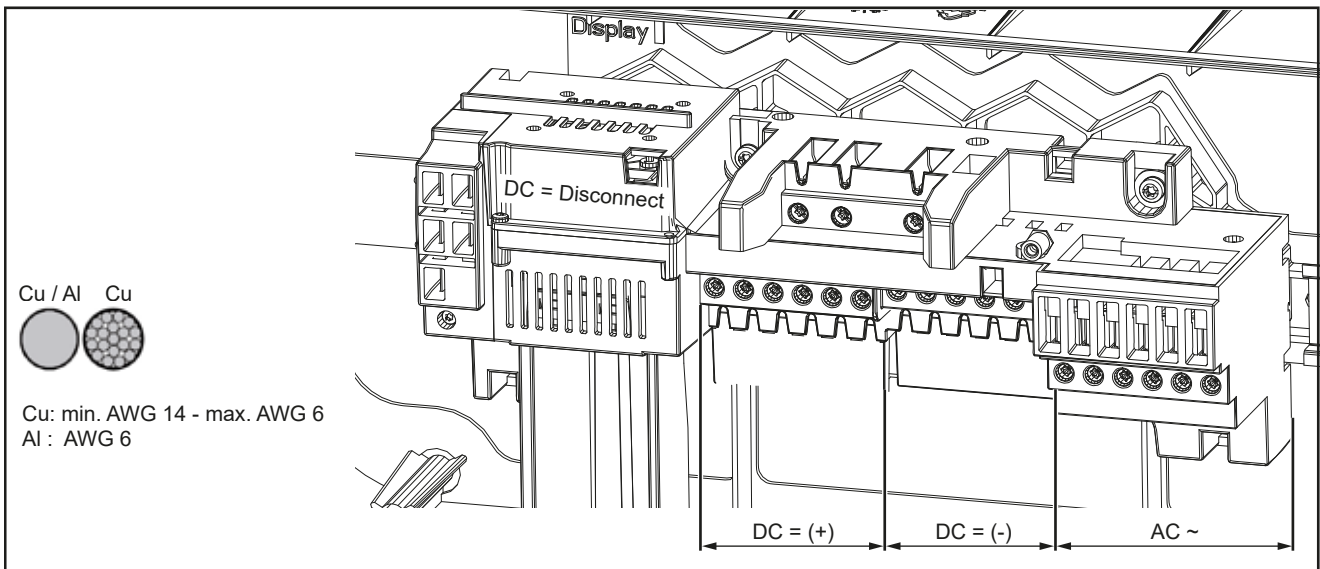
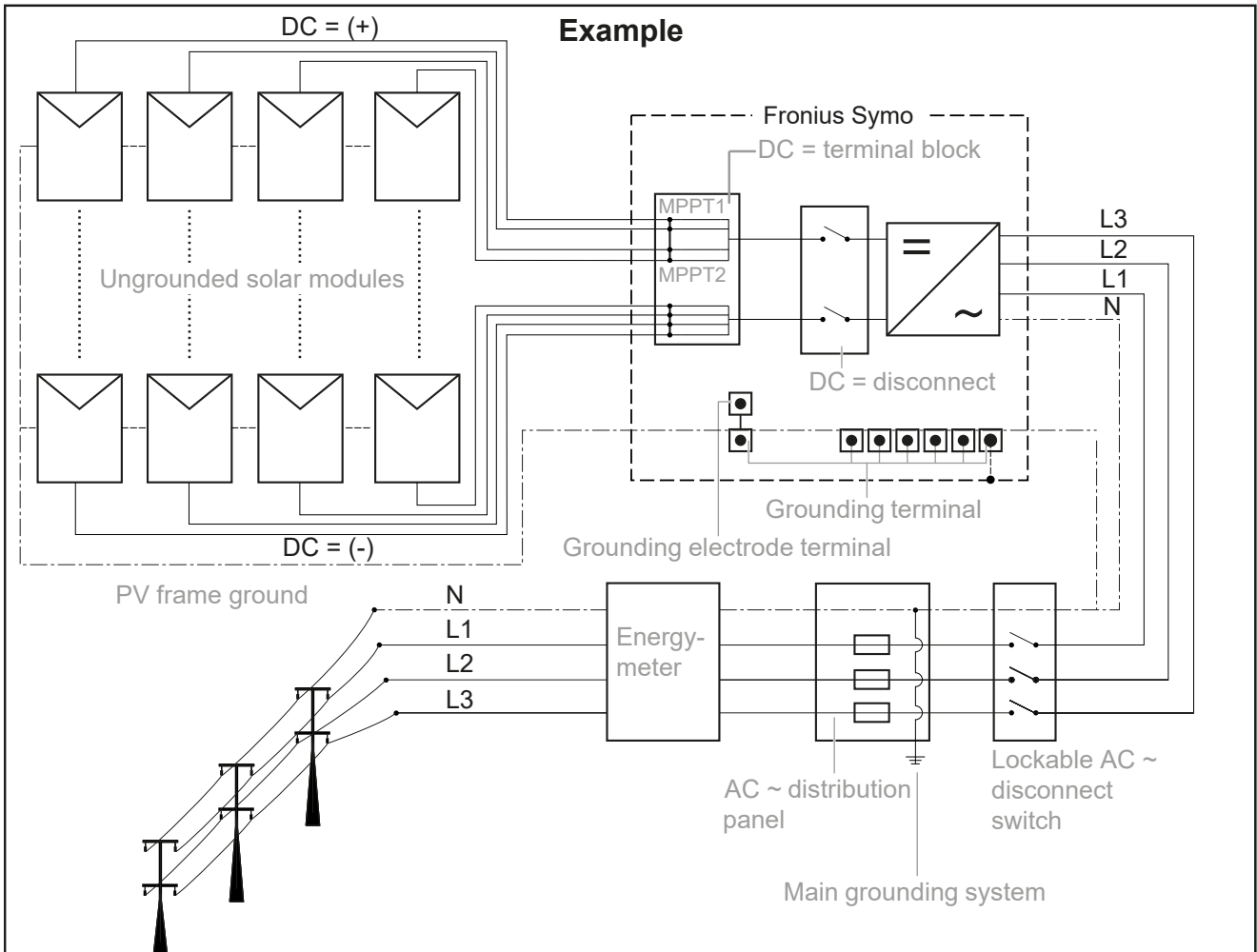
Setup: Nominal voltage:
 240N 240 V
 50HN 50 Hz 208 - 240 V

Appropriate Inverters:
 Symo Advanced
 10.0-3 208-240 / 12.0-3
 208-240



MG 1N Microgrid 240 V
 MG 2N Microgrid 50 Hz 208 - 240 V
 HI1 208 V

Connection Diagram & Connection Area



AC & DC = Copper Wires (Cu)

Field Wiring with the following wire & wire combinations possible

Select appropriate cable cross-sections according to the actual device output! Do not combine copper and aluminum cables together in a single terminal.

AWG solid	AWG stranded	AWG stranded / solid			AWG solid / solid				AWG stranded / stranded			
4 ²⁾												
6 ²⁾	6/6 ⁴⁾									6/12 ²⁾	6/14 ²⁾	6/16 ³⁾
8 ²⁾	8 ¹⁾	8/10 ¹⁾	8/12 ¹⁾	8/14 ¹⁾		8/12 ²⁾			8/10 ²⁾	8/12 ¹⁾	8/14 ¹⁾	8/16 ³⁾
10 ²⁾	10 ¹⁾				10/10 ¹⁾	10/12 ¹⁾	10/14 ¹⁾		10/10 ¹⁾	10/12 ¹⁾	10/14 ¹⁾	10/16 ³⁾
12 ²⁾	12 ¹⁾				12/10 ¹⁾	12/12 ¹⁾	12/14 ¹⁾	12/16 ¹⁾	12/10 ¹⁾	12/12 ¹⁾	12/14 ¹⁾	12/16 ¹⁾
14 ²⁾	14 ¹⁾				14/10 ¹⁾	14/12 ¹⁾	14/14 ¹⁾	14/16 ¹⁾	14/10 ¹⁾	14/12 ¹⁾	14/14 ¹⁾	14/16 ¹⁾
16 ³⁾	16 ³⁾						16/14 ¹⁾	16/16 ¹⁾	16/10 ³⁾	16/12 ¹⁾	16/14 ¹⁾	16/16 ¹⁾

AC & DC = Aluminium Wires (Al)

Field Wiring with the following wire & wire combinations possible

Select appropriate cable cross-sections according to the actual device output! **Do not combine copper and aluminum cables together in a single terminal.**

AWG solid	AWG stranded	AWG stranded / solid			AWG solid / solid				AWG stranded / stranded			
4 ²⁾												
6 ²⁾	6 ⁴⁾									6/12 ²⁾	6/14 ²⁾	6/16 ⁵⁾
8 ²⁾	8 ²⁾	8/10 ²⁾	8/12 ²⁾	8/14 ²⁾		8/12 ²⁾			8/10 ²⁾	8/12 ²⁾	8/14 ²⁾	8/16 ⁵⁾
10 ²⁾	10 ²⁾				10/10 ²⁾	10/12 ²⁾	10/14 ²⁾		10/10 ²⁾	10/12 ²⁾	10/14 ²⁾	10/16 ⁵⁾
12 ²⁾	12 ²⁾				12/10 ²⁾	12/12 ²⁾	12/14 ²⁾		12/10 ²⁾	12/12 ²⁾	12/14 ²⁾	12/16 ²⁾
14 ²⁾	14 ²⁾				14/10 ²⁾	14/12 ²⁾	14/14 ²⁾	14/16 ²⁾	14/10 ²⁾	14/12 ²⁾	14/14 ²⁾	14/16 ²⁾
16 ⁵⁾	16 ⁵⁾						16/14 ²⁾	16/16 ²⁾	16/10 ⁵⁾	16/12 ²⁾	16/14 ²⁾	16/16 ²⁾

1) tested and evaluated according UL

2) not evaluated according UL, connection to the terminal is possible

3) only with ferrule

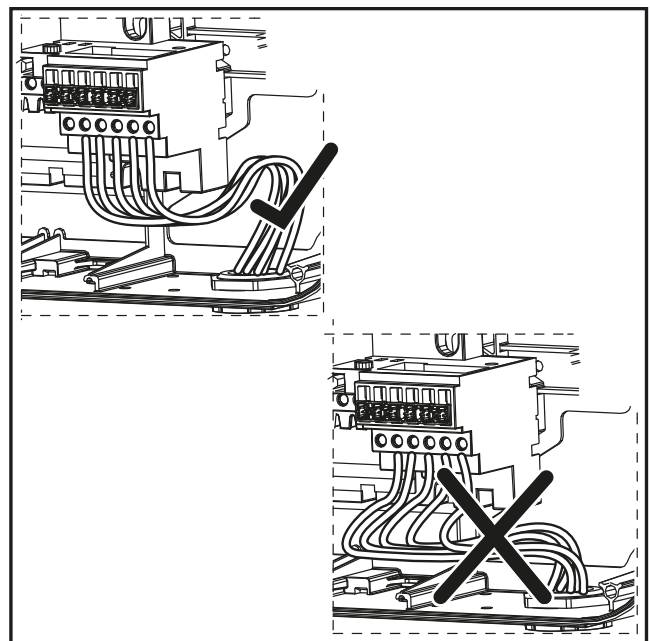
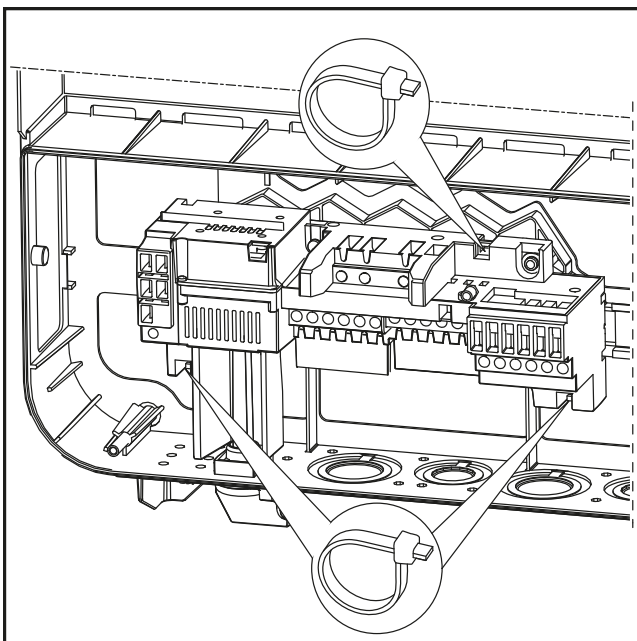
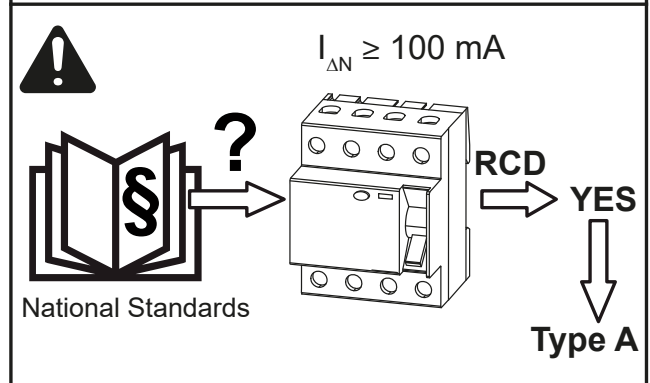
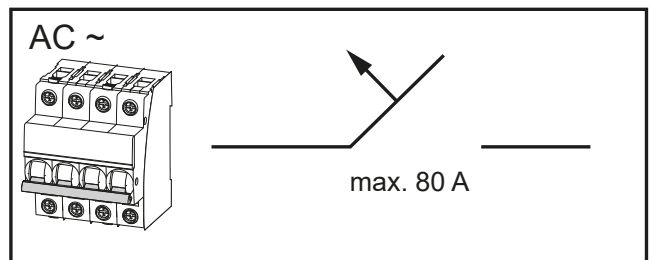
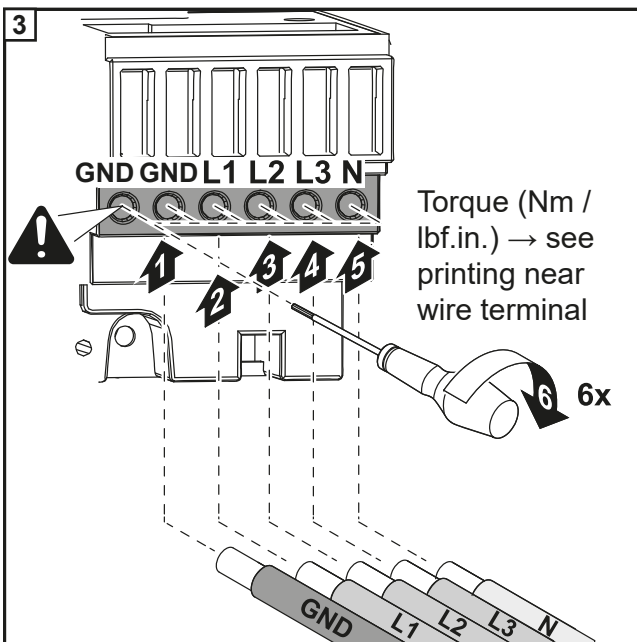
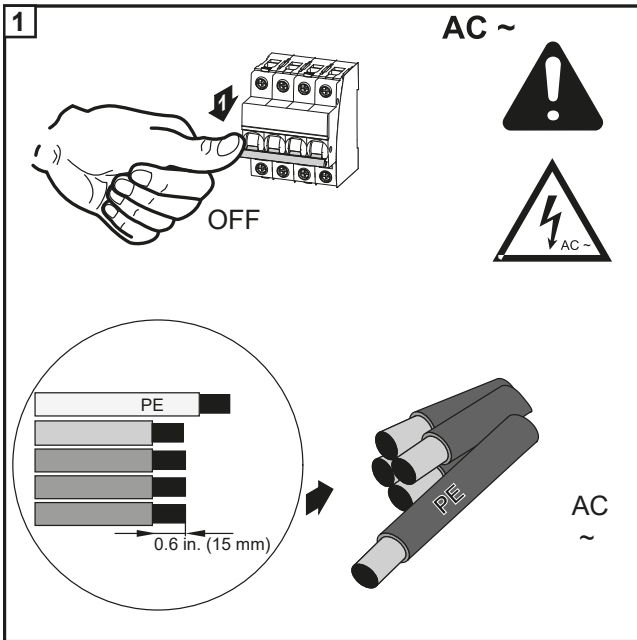
4) stranded PV (ZKLA) or Use -2 wire

5) not evaluated according UL, connection to the terminal is possible; The use of ferrules is mandatory for all AWG 16. The disconnect is technically rated for AWG 16 with ferrules but it is not recommended. If it is used please insure it is correctly installed. Fronius is not responsible for improper installation.

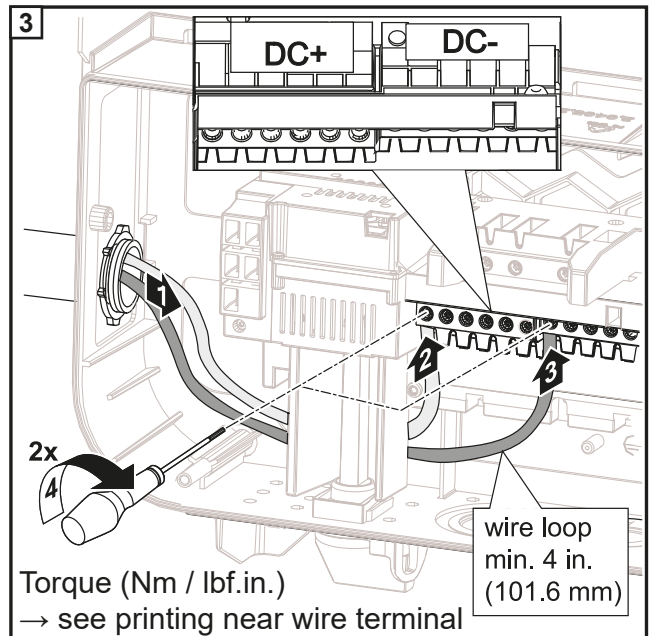
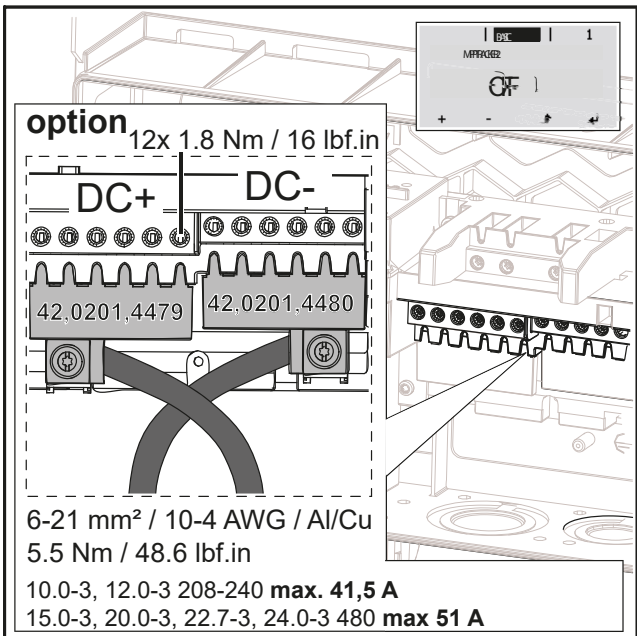
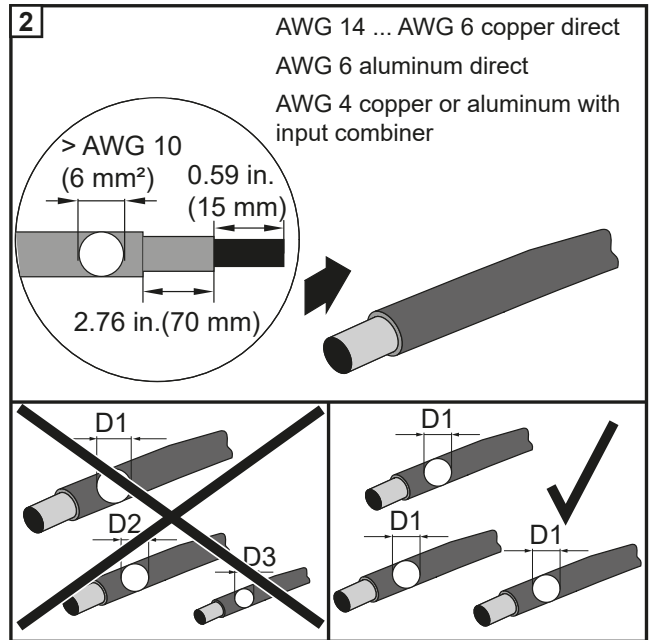
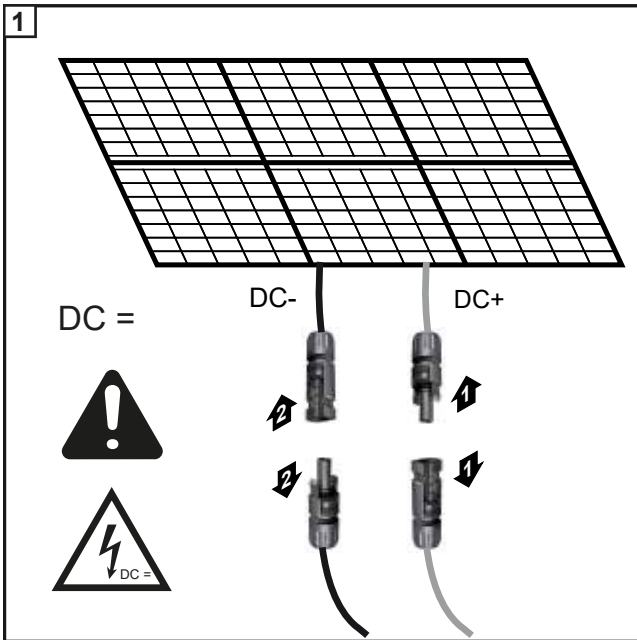
AC ~

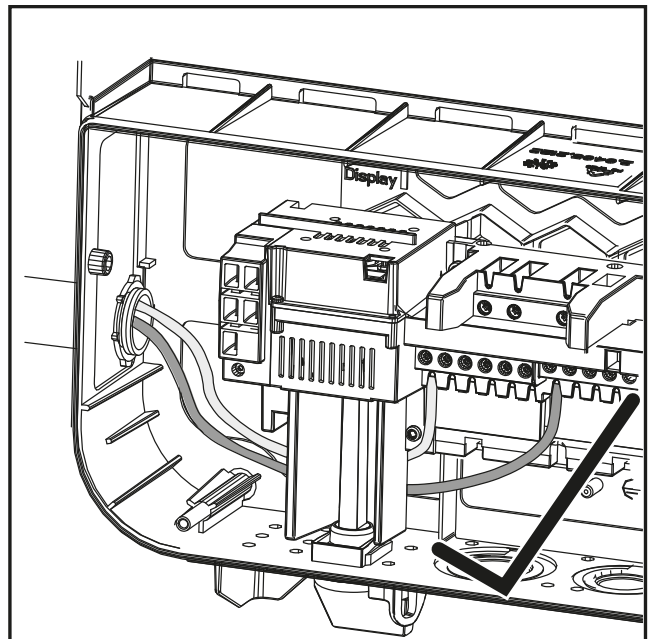
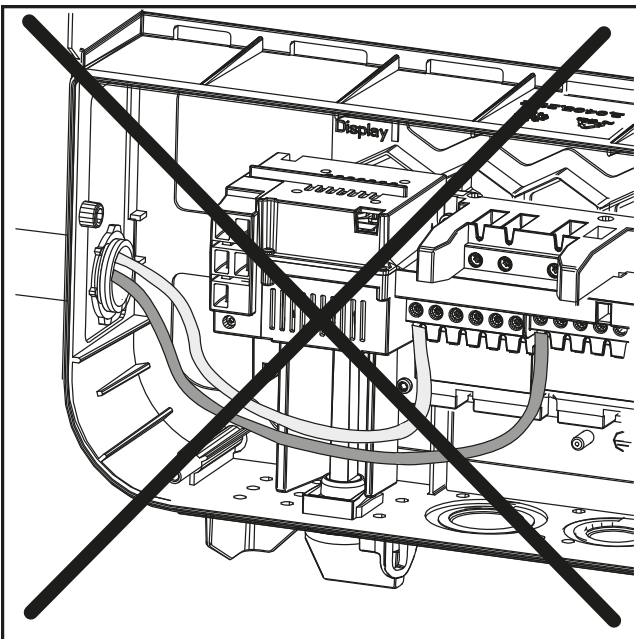
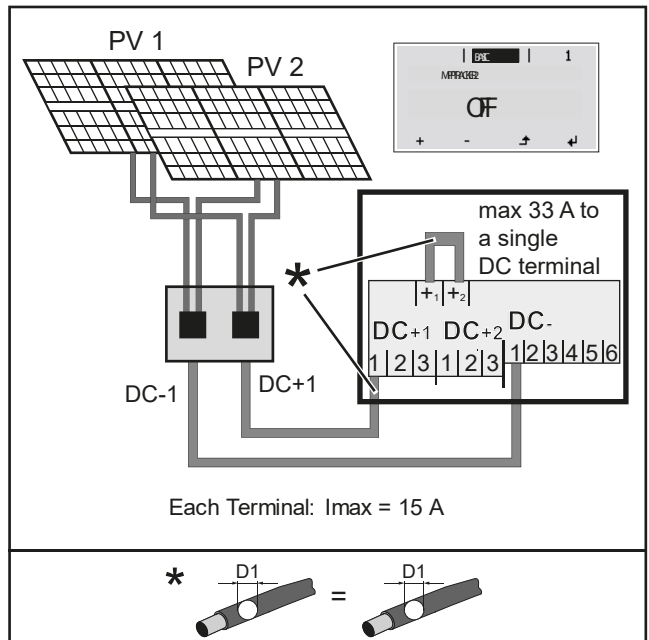
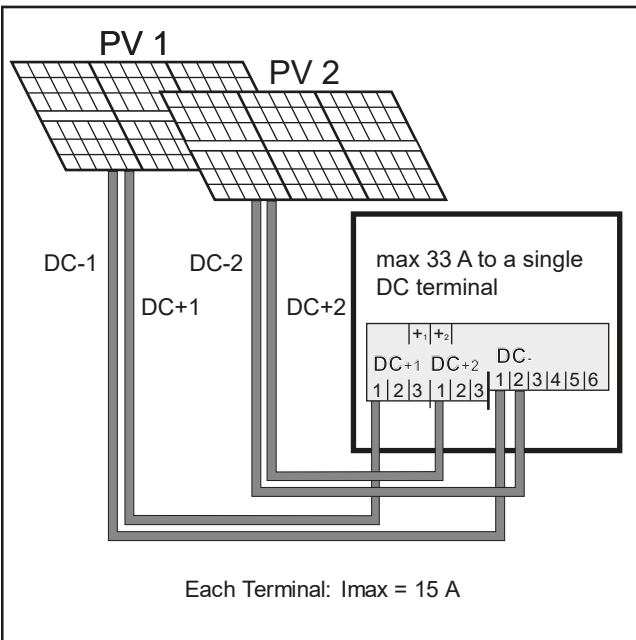
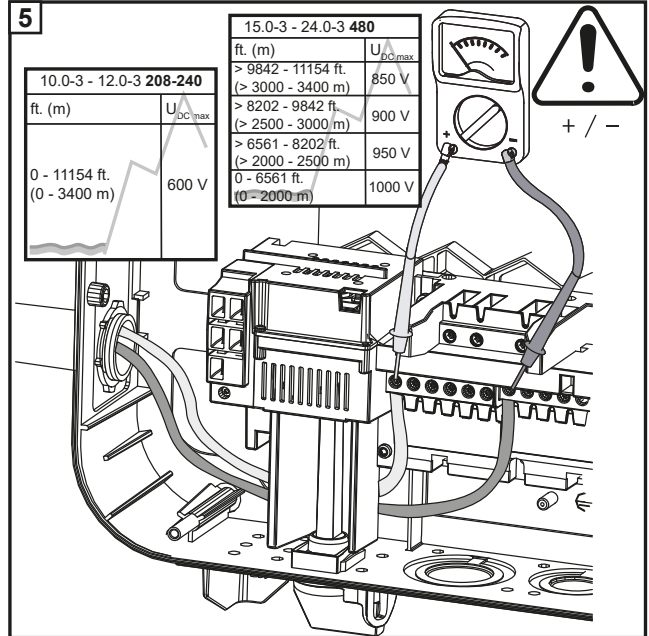
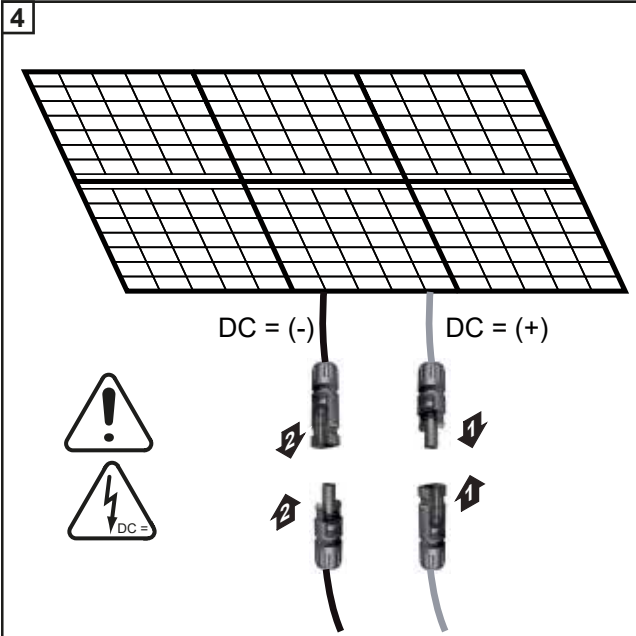
AC~ Minimum AWG in acc. to NEC

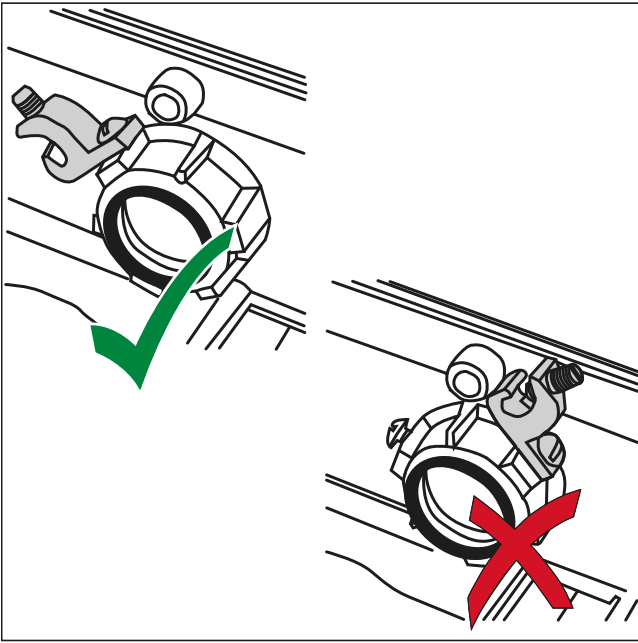
		10.0-3 208-240	12.0-3 208-240	
Copper (Cu) / Aluminium (Al)	208 V_{AC}	AWG 10 / AWG 10	AWG 10 / AWG 8	
	220 V_{AC}	AWG 10 / AWG 10	AWG 10 / AWG 8	
	240 V_{AC}	AWG 12 / AWG 10	AWG 10 / AWG 10	
		15.0-3 480	20.0-3 480	22.7-3 480
Copper (Cu) / Aluminium (Al)	440 V_{AC}	AWG 14 / AWG 12	AWG 10 / AWG 10	AWG 8 / AWG 8
	480 V_{AC}	AWG 14 / AWG 12	AWG 12 / AWG 10	AWG 10 / AWG 8
		24.0-3 480		
Copper (Cu) / Aluminium (Al)	480 V_{AC}	AWG 10 / AWG 10		



DC =

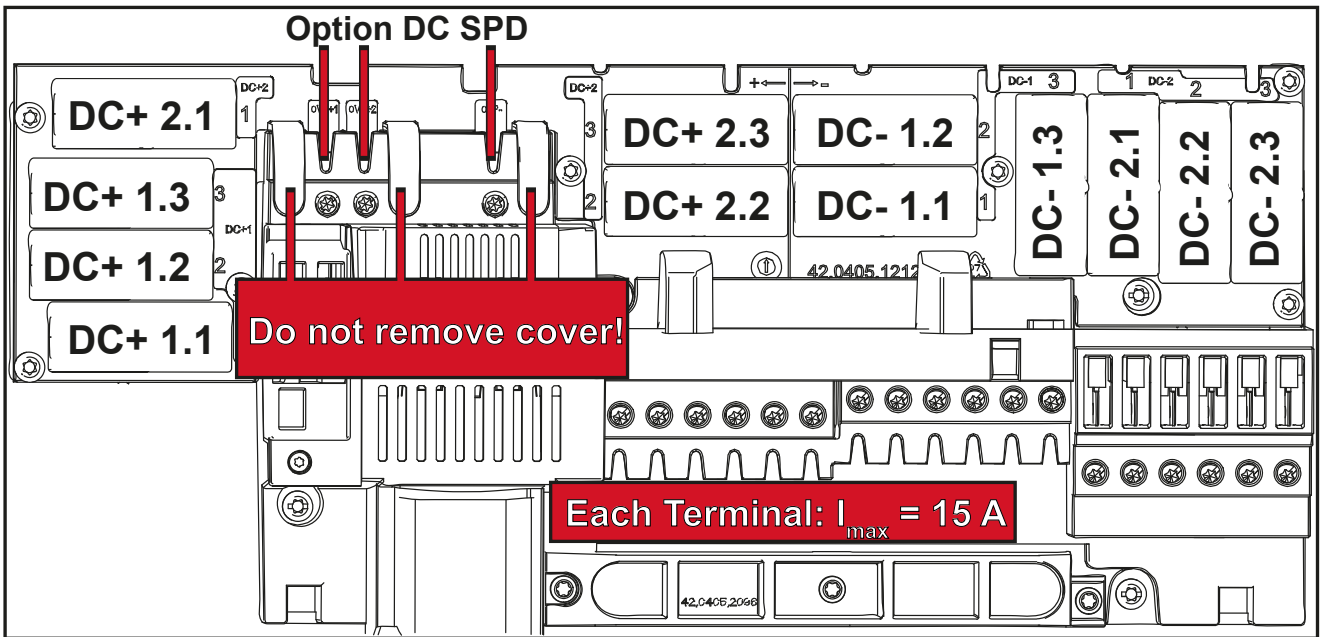




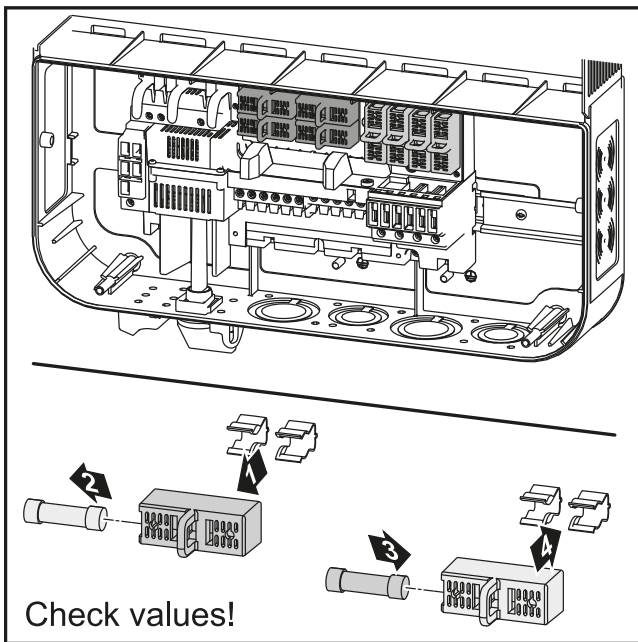


DC wiring options

Option „Ecofuse“ - for the proper selection of string fuses, see operating instruction



Replacing fuses:

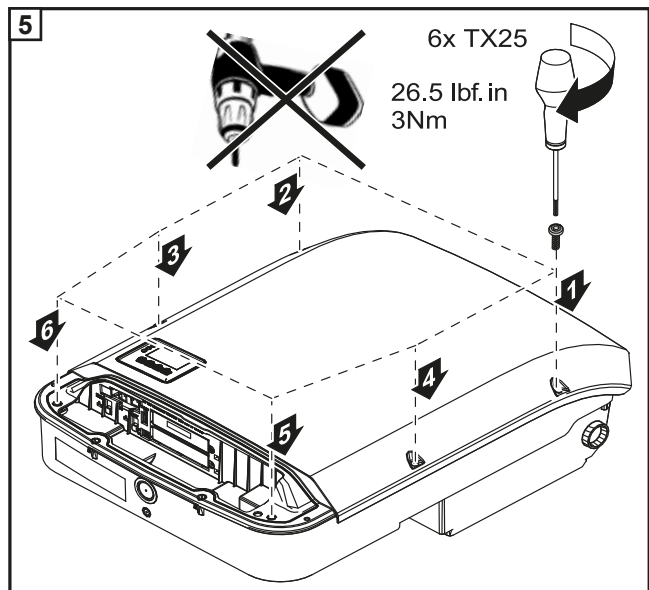
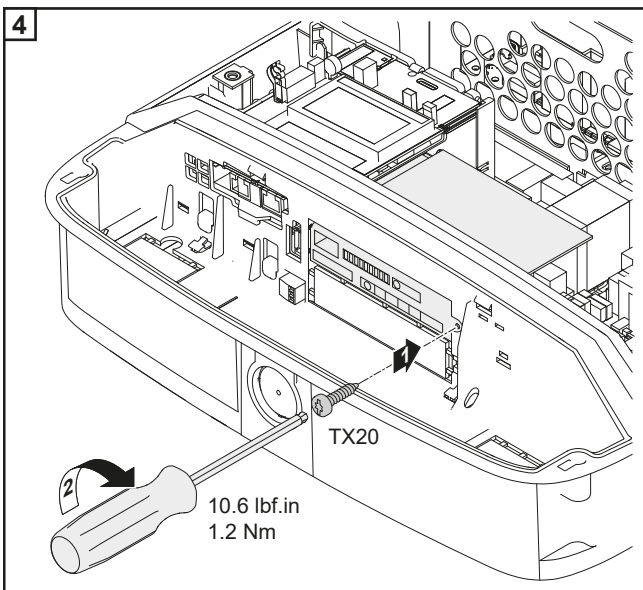
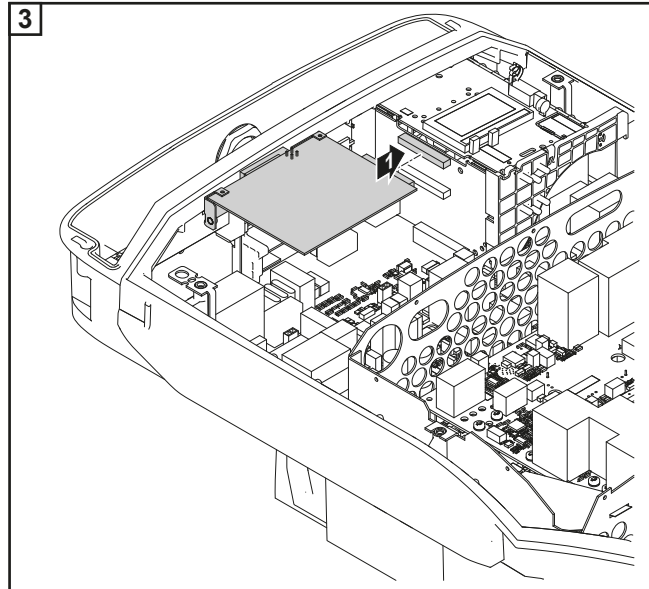
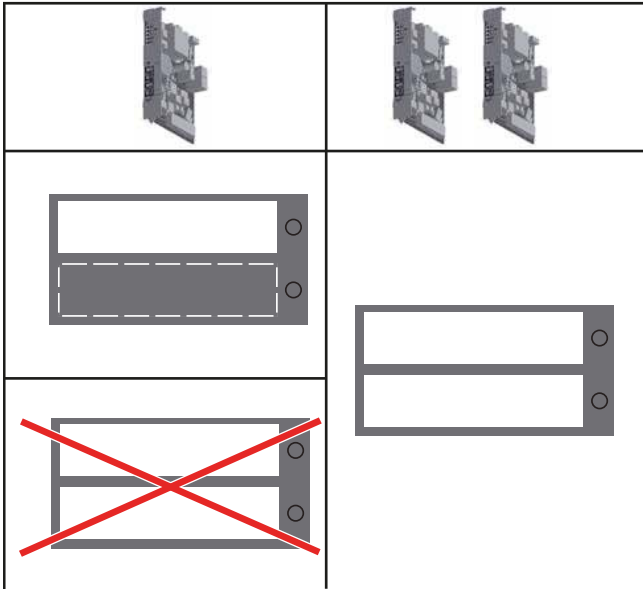
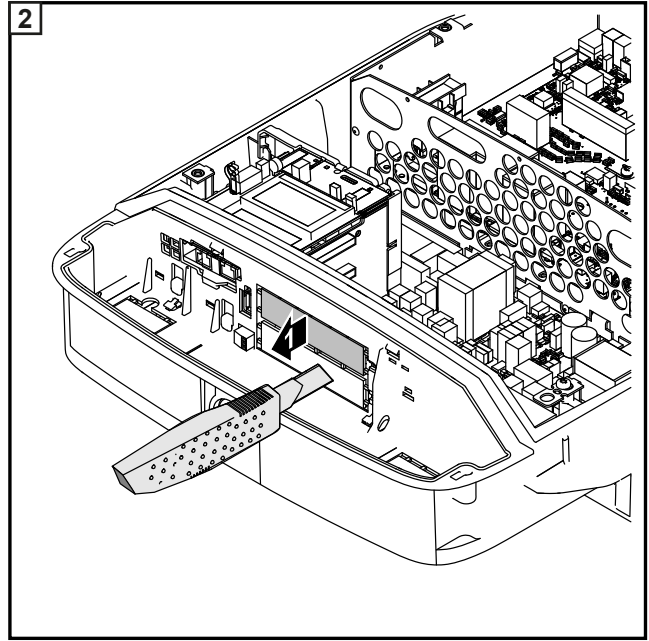
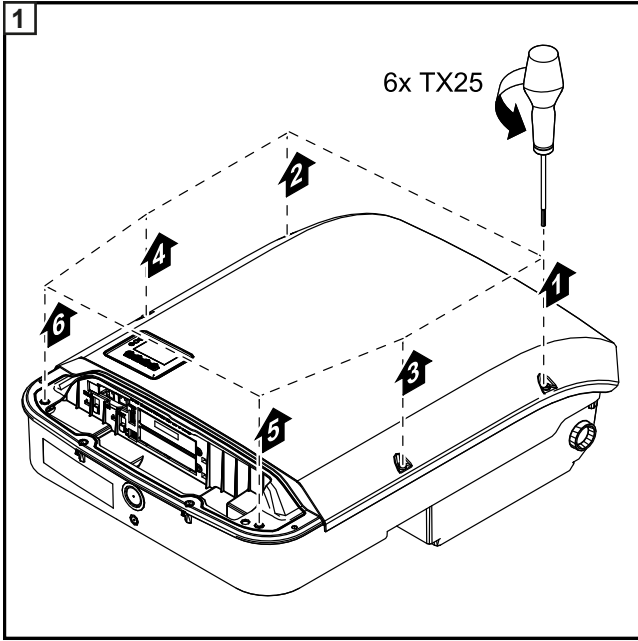


E To avoid the risk of a fire, only replace faulty fuses with new ones of the same rating.
N

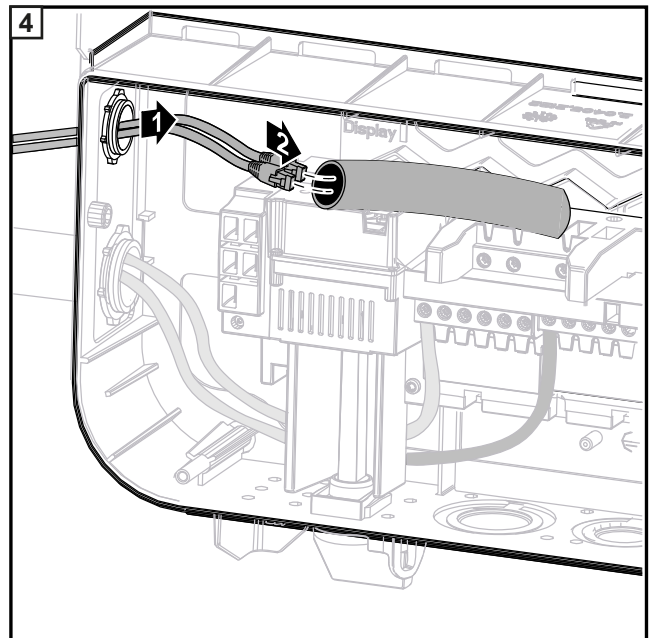
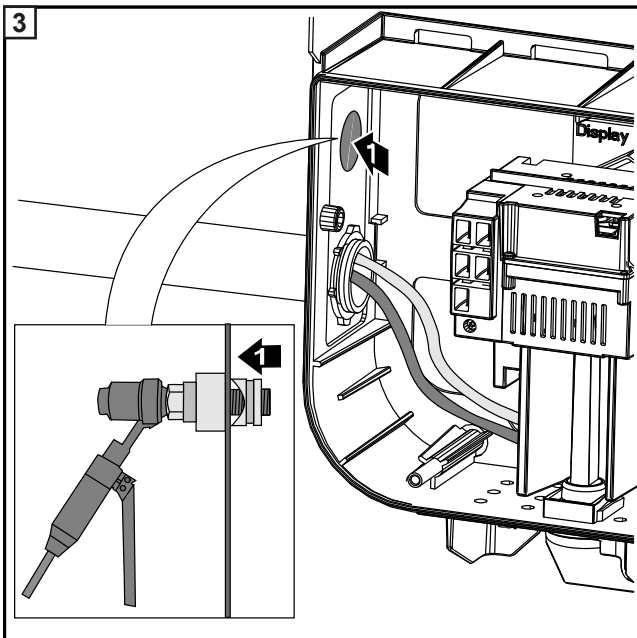
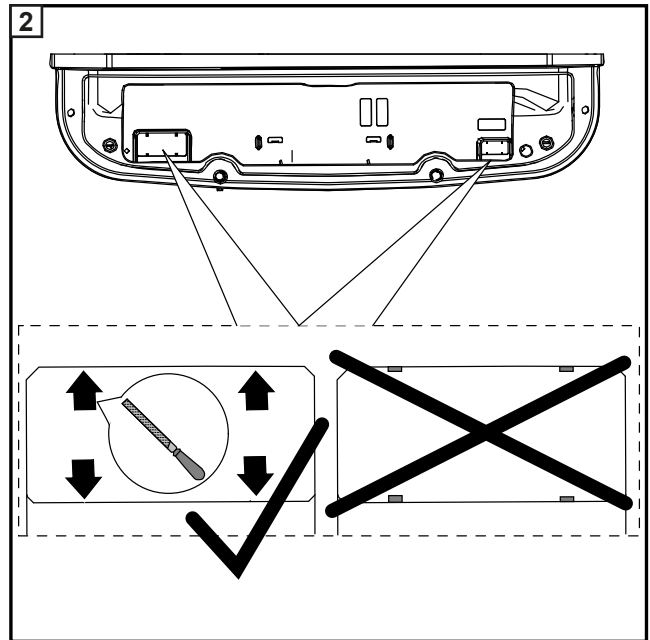
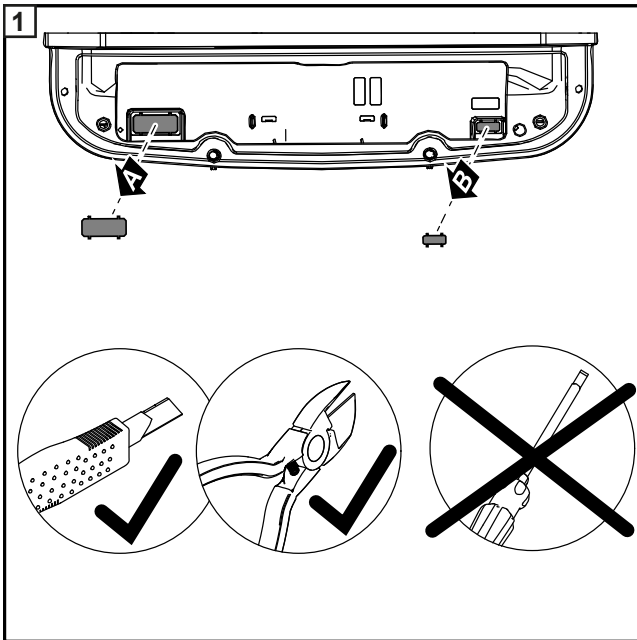
FR Afin d'éviter les risques d'incendie, les fusibles défectueux doivent être remplacés uniquement par des nouveaux fusibles équivalents.

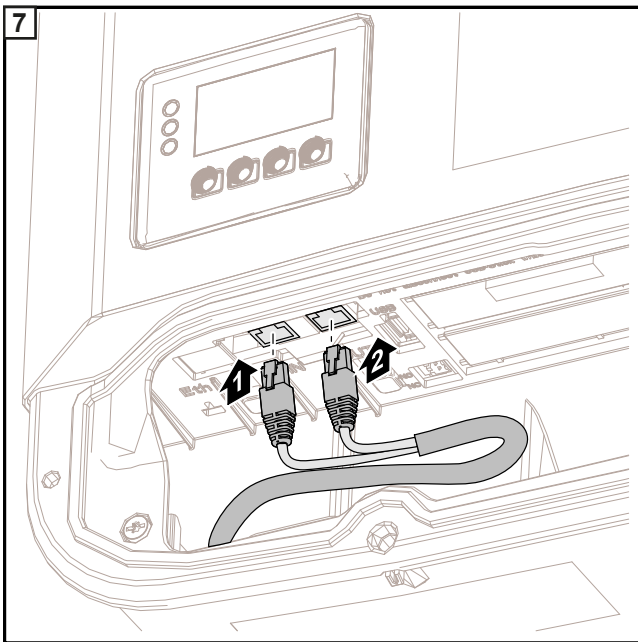
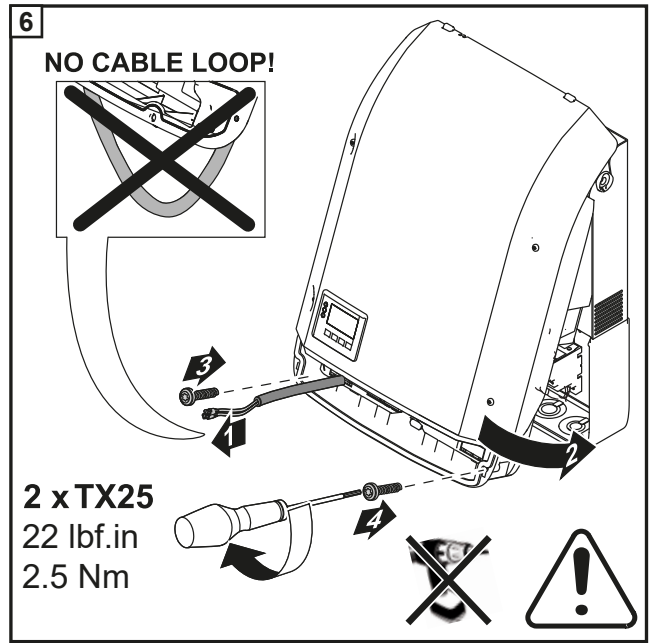
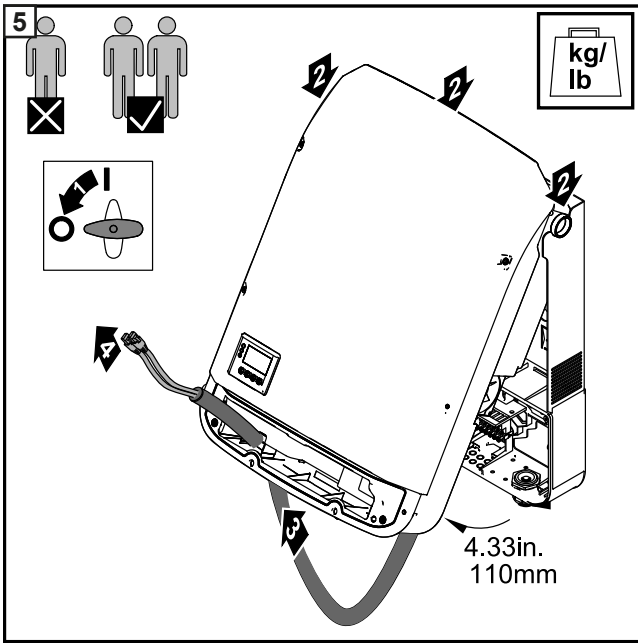
ES Los fusibles defectuosos deben ser sustituidos únicamente por otros equivalentes para evitar así el peligro de incendio.

Installing Datamanager 2.0

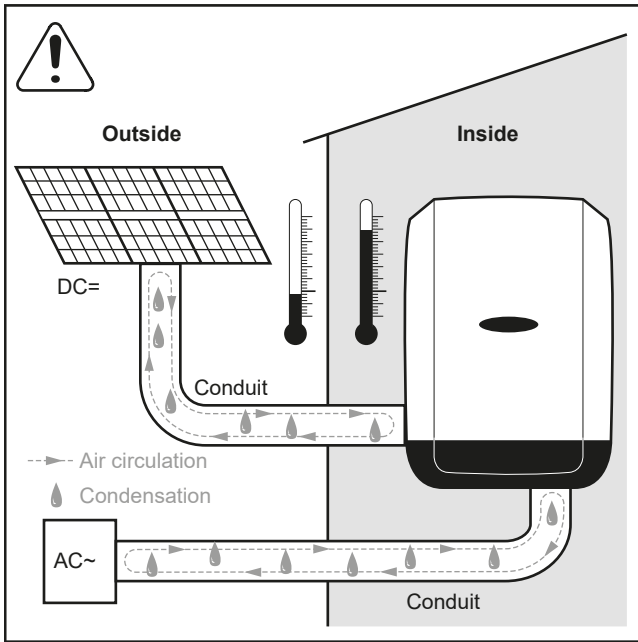


DATCOM Connection





Sealing up Conduits



EN-
US:

NOTE! Condensation within the conduits can damage the inverter or components of the photovoltaic systems.

To avoid undesirable air circulation and condensation in the conduits,

- seal all conduits being used with a permanently elastic sealant,
- seal every incoming and outgoing conduit,
- seal both conduit ends.



REMARQUE ! La condensation à l'intérieur des tubes peut endommager l'onduleur ou les composants de l'installation photovoltaïque.

FR:

- Afin d'éviter une circulation de l'air indésirable ou la formation de condensation,
- étanchéifier tous les tubes utilisés avec un matériau d'étanchéification à élasticité permanente
 - étanchéifier chaque entrée et sortie de tubes,
 - étanchéifier les deux extrémités des tubes.

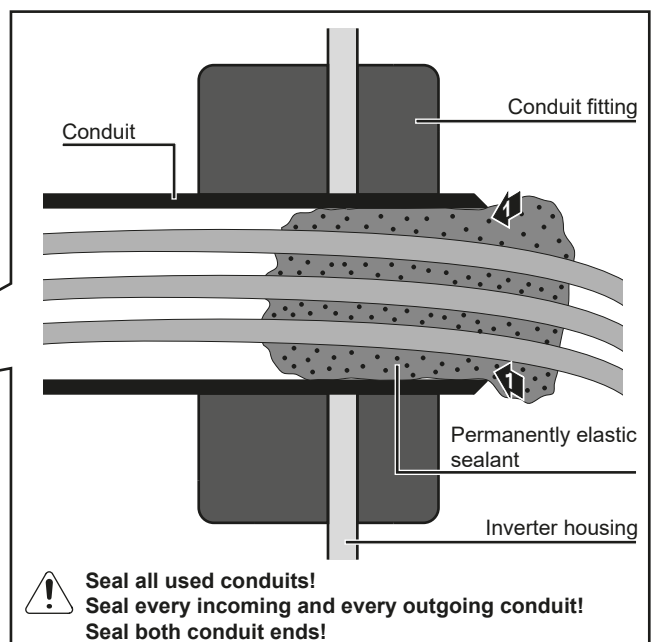
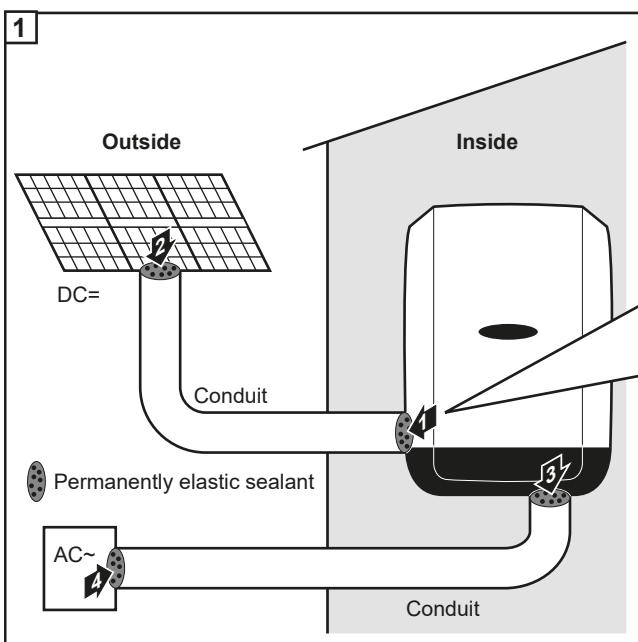


¡OBSERVACIÓN! La condensación dentro de los conductos puede provocar daños en el inversor o en los componentes de la instalación fotovoltaica.

ES:

Para evitar cualquier condensación y circulación del aire no deseada en los conductos,

- impermeabilizar todos los conductos utilizados con una masa obturadora permanentemente elástica,
- impermeabilizar cada entrada y salida de conducto,
- impermeabilizar ambos extremos de conducto.

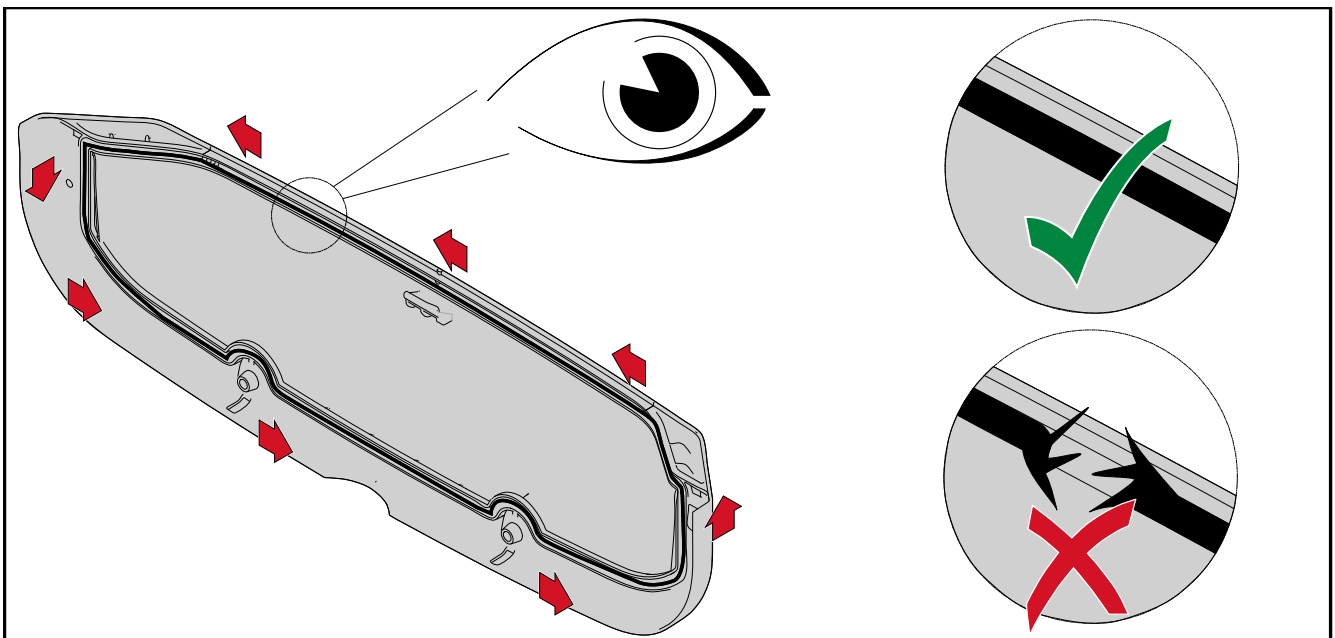
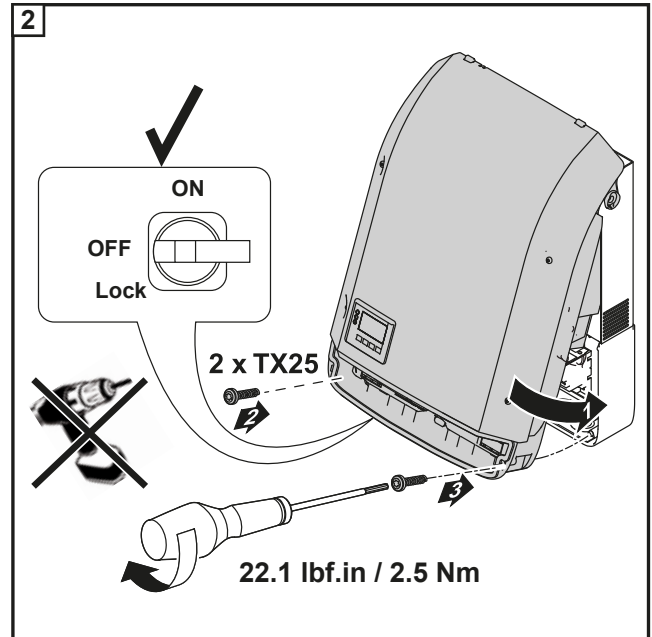
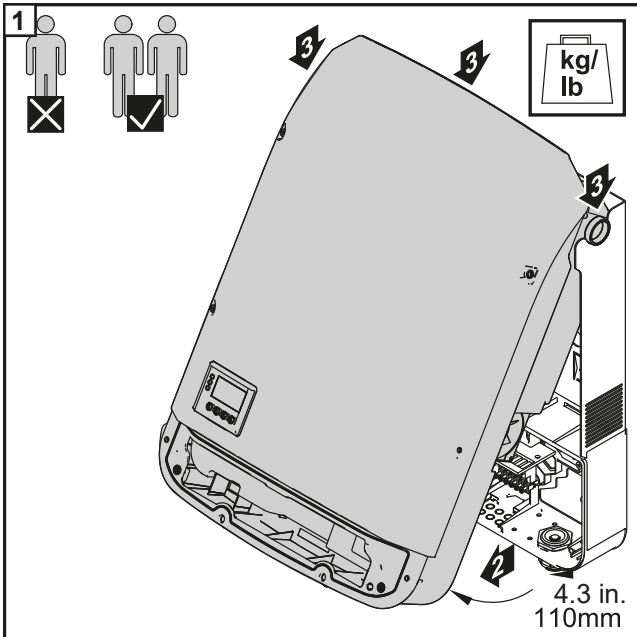


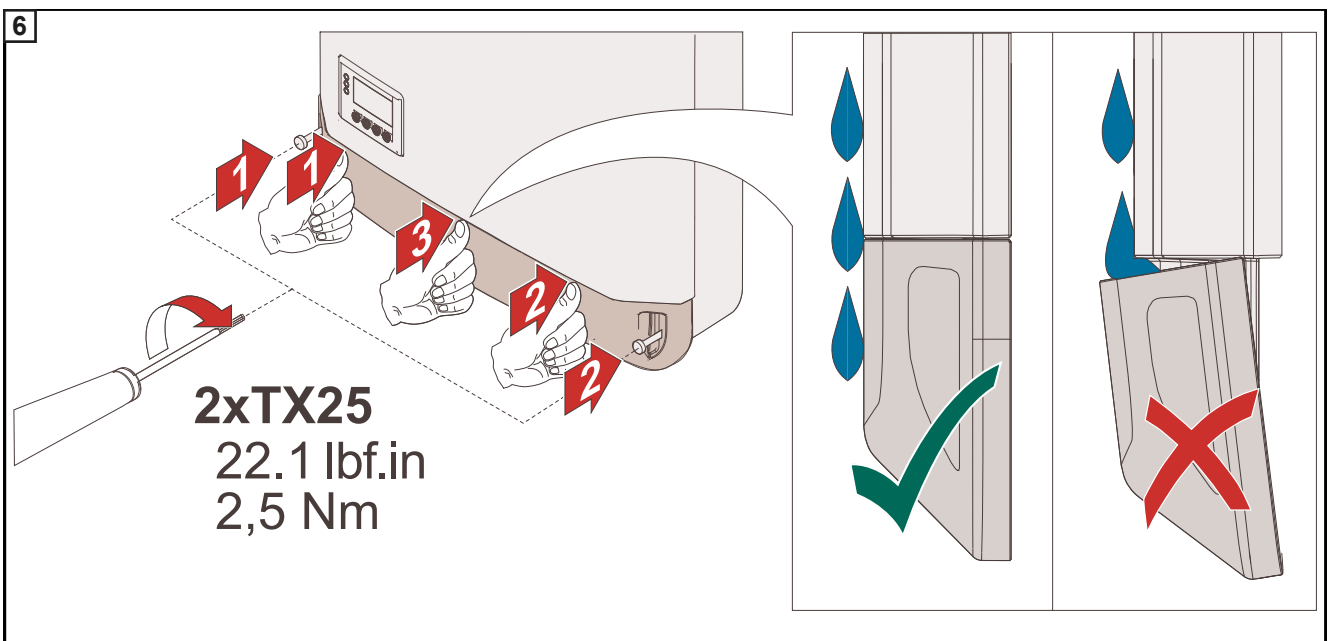
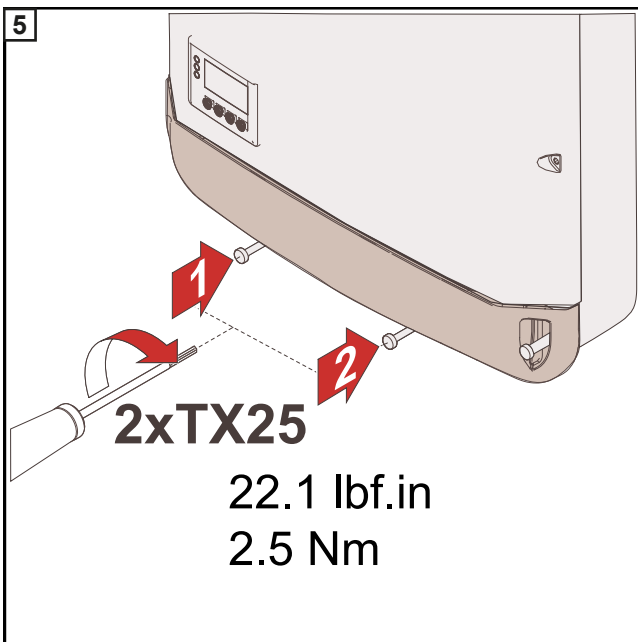
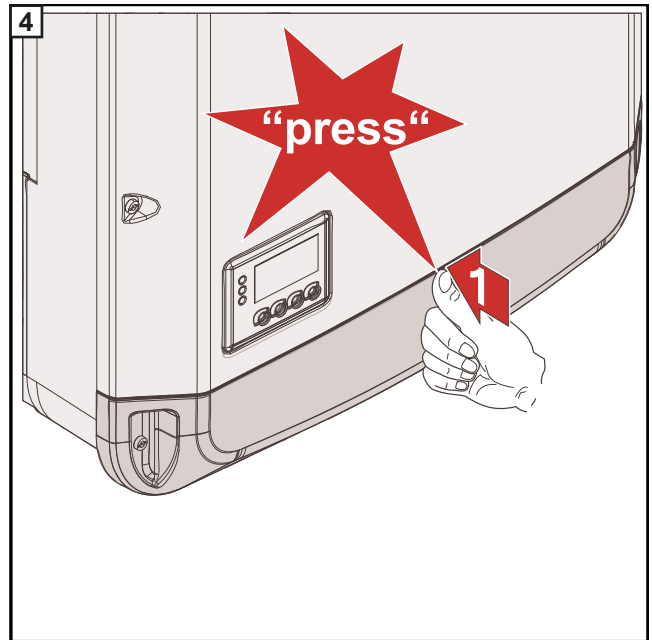
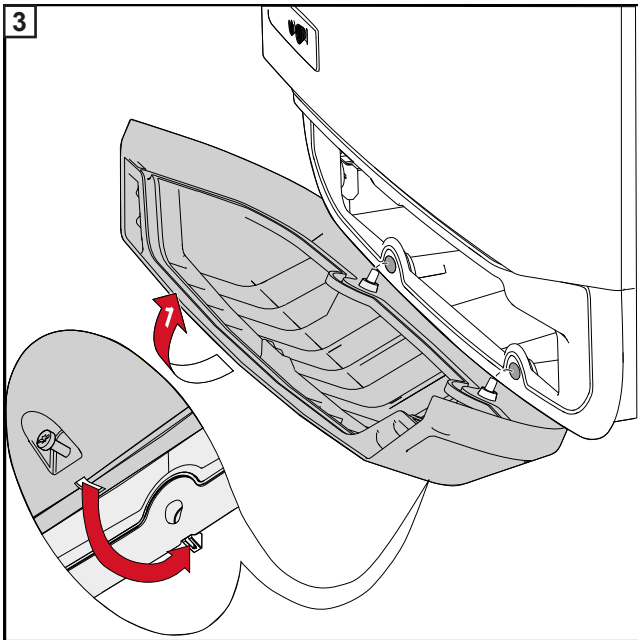
**Seal all used conduits!
Seal every incoming and every outgoing conduit!
Seal both conduit ends!**

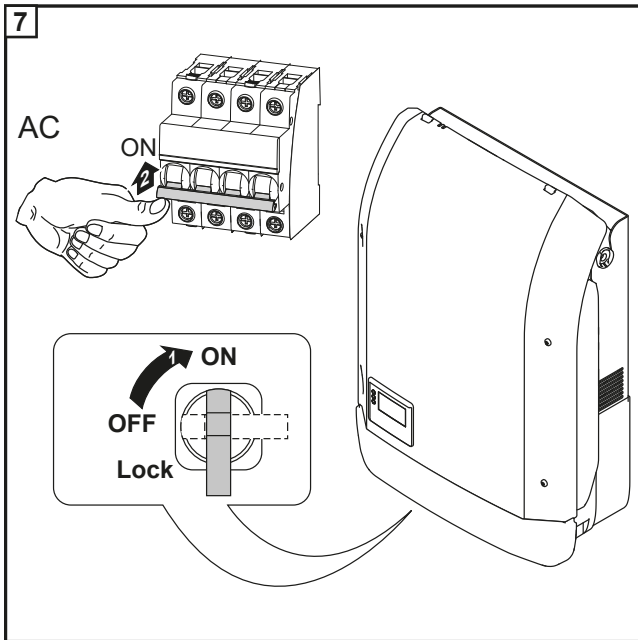
Operation



Over torquing with an electric drill will void the warranty







* Country setup examples

The available country setups may change during a software update. Therefore, the following list may not exactly match the display on the inverter.

Setups:

Symo Advanced 208 - 240

- 240N (with NL-Mon)
- 240 (without NL-Mon)
- 208N (with NL-Mon)
- 208 (without NL-Mon)
- 220N (with NL-Mon)
- 220 (without NL-Mon)
- 50HZ
- 50 HN (with NL-Mon)
- BR N (Brazil 220V with NL-Mon)
- BR (Brazil 220V without NL-Mon)
- HI1 (Hawaii 240V with NL-Mon)
- HI2 (Hawaii 208V with NL-Mon)

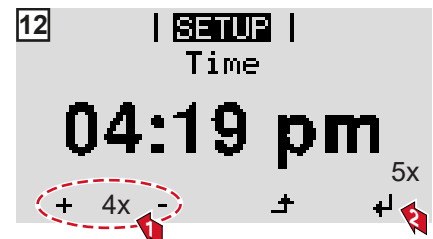
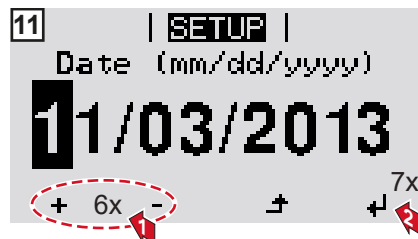
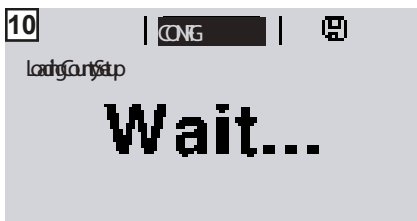
Symo Advanced 208 - 240

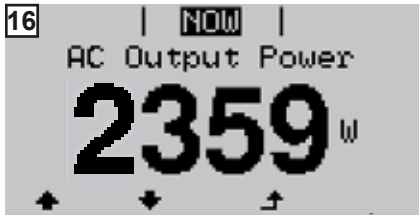
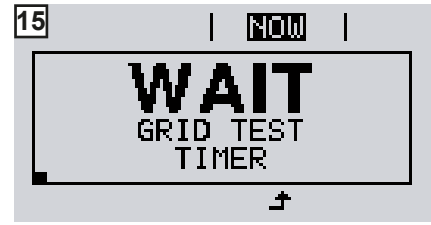
- MG1N* (Microgrid 240V with NL-Mon)
- MG1P* (Microgrid 240V without NL-Mon)
- MG2N* (Microgrid 220V without NL-Mon)
- MG3N* (Microgrid 208V without NL-Mon)
- MG3P* (Microgrid 208V without NL-Mon)

Symo Advanced 480

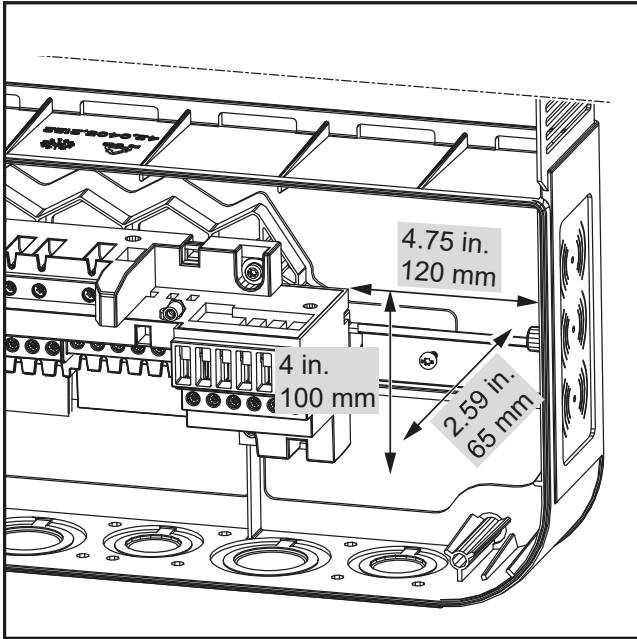
- 480N (with NL-Mon)
- 440N (with NL-Mon)
- 50HN (with NL-Mon)
- CAL3 (California 480V with NL-Mon)
- HI3 (Hawaii with NL-Mon)
- MG5N* (Microgrid 240V with NL-Mon)
- MG6* (Microgrid)

* For more information about „Field Adjustable Trip Points“ and „Special Purpose Utility-Interactive“ see www.fronius.com/QR-link/42042102339





Options Fronius Symo



EN-
US:

NOTE! A DIN rail is provided in order to mount accessory electrical devices including, but not limited to, overcurrent protection, metering, radio or cellular modem. Maximum size for mounting of all devices is 4w x 4,75l x 2,59 inches. The installer takes responsibility for any undesired effect on the inverter by installing an electrical device in this area, caution should be taken when installing a device that may output significant amounts of heat or radio interference. Always insure that the device does not inhibit the inverter from closing and sealing properly. Any questions about device eligibility should be directed toward technical support.



FR:

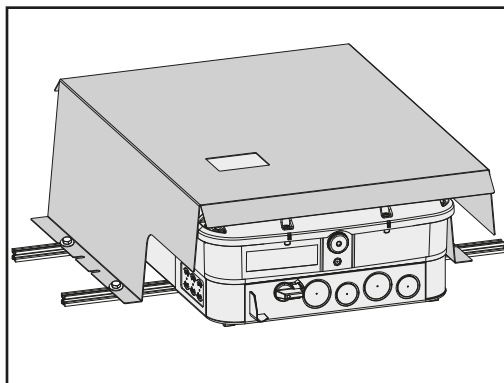
REMARQUE ! Un profilé chapeau est fourni de façon à pouvoir monter les appareils électriques auxiliaires tels que la protection de surintensité, le compteur, le modem radio ou cellulaire et autres. Les dimensions maximales (lxlxh) de l'installation de tous les appareils sont de 10x12x7 cm (4x4,75x2,59 in). L'installateur est responsable de l'ensemble des effets indésirables sur l'onduleur liés à l'installation d'un appareils électrique dans cet espace. Il faut faire preuve de prudence lors de l'installation d'un appareil qui pourrait produire beaucoup de chaleur ou d'importantes interférences radio. Toujours s'assurer que l'appareil n'empêche pas l'onduleur de se fermer correctement. Pour toute question concernant l'admissibilité de l'appareil, merci de contacter l'équipe d'assistance technique.



ES:

¡OBSERVACIÓN! Se suministra un carril DIN para montar diferentes accesorios eléctricos como, por ejemplo, protección contra exceso de corriente, medición, radio o módem de móvil. Las dimensiones máximas (anchura x longitud x altura) para el montaje de todos los dispositivos son las siguientes: 4w x 4,75l x 2,59 inches. El instalador asume la responsabilidad por cualquier efecto no deseado en el inversor debido a la instalación de un dispositivo eléctrico en la zona. Prestar especial atención al instalar un dispositivo que puede emitir cantidades significativas de calor o interferencias radioeléctricas. Asegurarse siempre de que el dispositivo no impida que el inversor se cierre y selle correctamente. Para cualquier duda o pregunta sobre la idoneidad del dispositivo, ponerse en contacto directamente con el soporte técnico de Fronius.

OPTION ,ShadeCover'

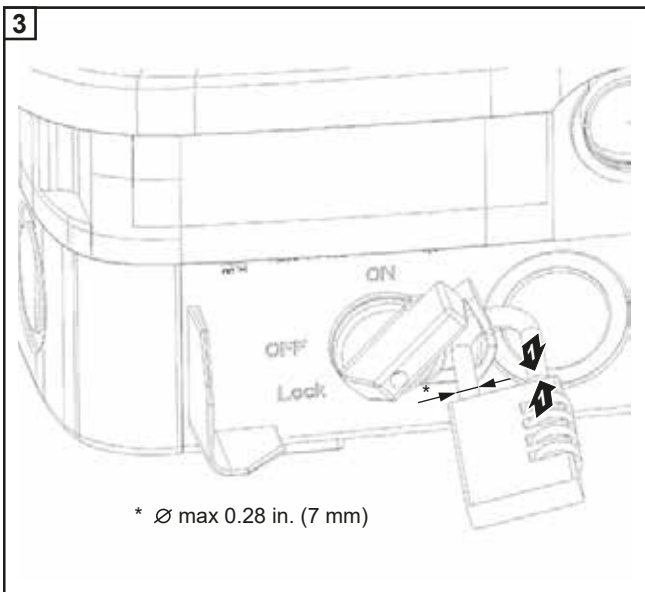
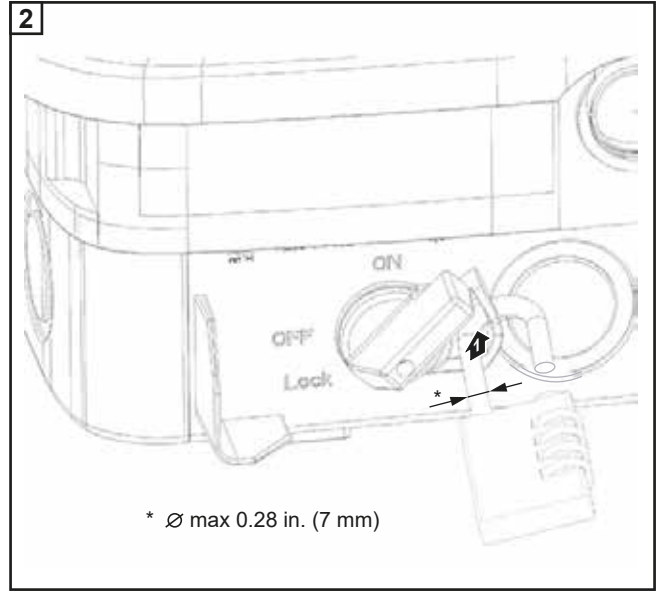
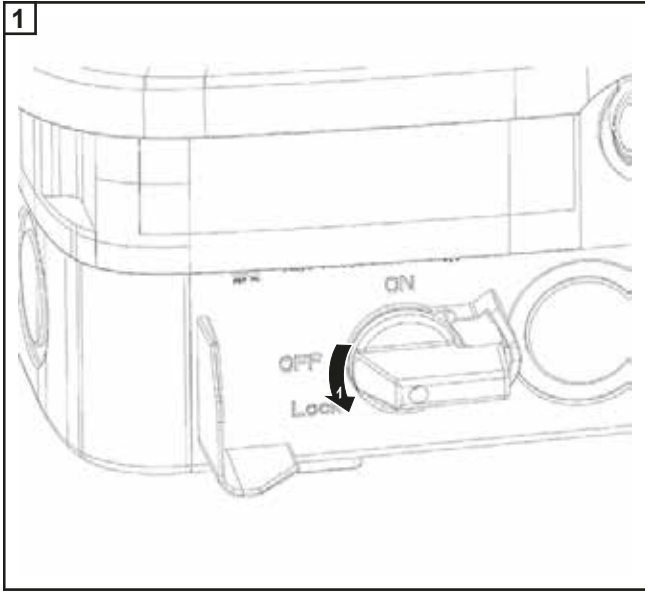


- Use the ShadeCover when the inverter is exposed to direct sunlight
- Use 4 screws for proper mounting



NO MOUNTING

Lock



EN-US:

The padlock is not part of the scope of delivery for the inverter.

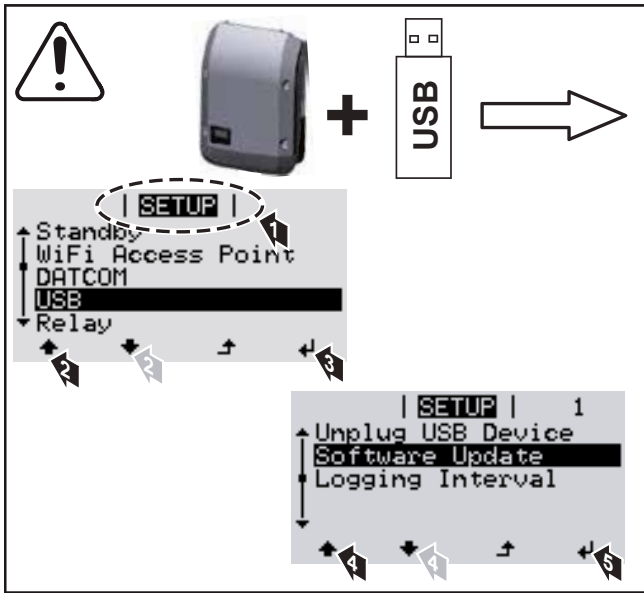
FR:

Le cadenas n'est pas compris dans la livraison de l'onduleur.

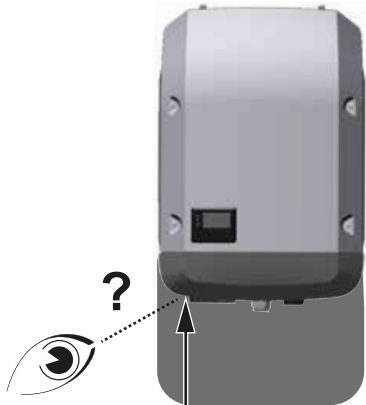
ES:

El candado no está parte del volumen de suministro del inversor.

Firmware Update

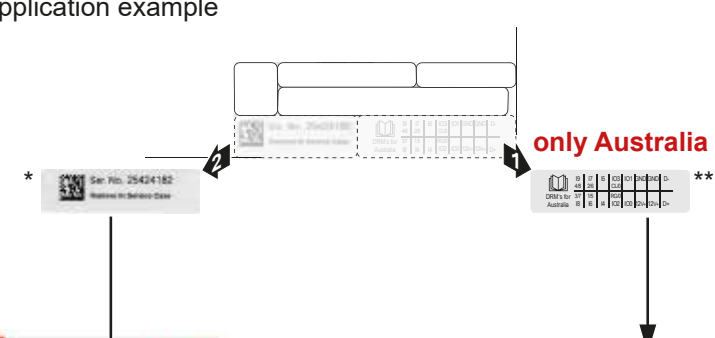


Serial Number Sticker for Customer Use




Serial No. on rating plate

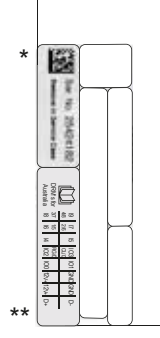
Application example





only Australia




+









* Serial Number Sticker for Customer Use, 57 x 20 mm

** DRMs for **Australia** for Customer Use, 67 x 20 mm

FRONIUS INTERNATIONAL GMBH

Froniusstraße 1
A-4643 Pettenbach
AUSTRIA
contact@fronius.com
www.fronius.com

Under **www.fronius.com/contact** you will find the addresses
of all Fronius Sales & Service Partners and locations.



Find your
spareparts online



spareparts.fronius.com