

# SOLAR WATER HEATER

Vacuum tube type

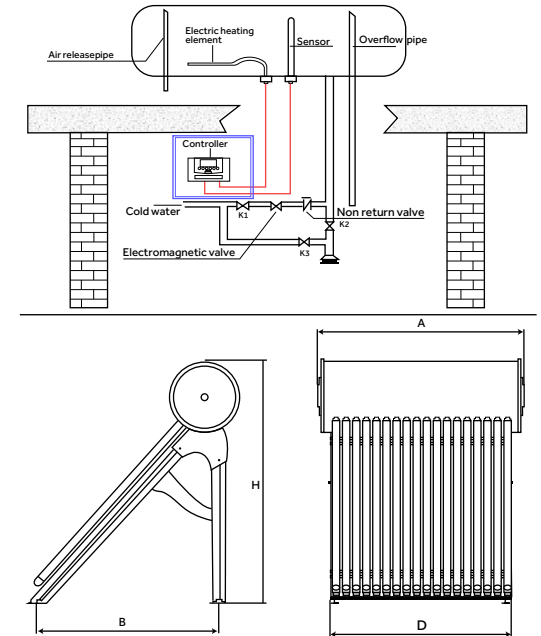


**Display:**

- Water temperature display
- Water level display.
- Error display
- Time display
- Operation status display

**Features:**

- Non-pressure system
- Stainless steel tank of 304-B
- 50mm foaming insulation
- Optional electrical heating back-up
- With digital controller
- Pre-set to heat with the auxiliary heater
- Pre-set the time to fill in cold water



No.	model	tube Nos.	tube spec	tank	inner tank dia.	outer tank dia.	insulation	auxiliary heater	digital controller	dimensions(A*H*D*B)	loadability 40HC
1	QBJ1-100A58E	14pcs	∅ 58*1800mm	100L	∅ 382mm	∅ 482mm	50mm	1500W	yes	1325*1720*1137*1460	89
2	QBJ1-150A58E	16pcs	∅ 58*1800mm	150L	∅ 382mm	∅ 482mm	50mm	1500W	yes	1485*1720*1297*1460	84
3	QBJ1-200A58E	22pcs	∅ 58*1800mm	200L	∅ 382mm	∅ 482mm	50mm	1500W	yes	1965*1720*1777*1460	64
4	QBJ1-230A58E	25pcs	∅ 58*1800mm	230L	∅ 382mm	∅ 482mm	50mm	1500W	yes	2205*1720*2017*1460	59
5	QBJ1-300A58E	30pcs	∅ 58*1800mm	300L	∅ 382mm	∅ 482mm	50mm	1500W	yes	2605*1720*2417*1460	49

105kg  
110kg  
148kg

Haier reserves the right to change the specification without notification

**Authorized Distributor**



211, Gargash Center. Deira, Dubai, United Arab Emirates  
Phone: +971-4-2331185 Fax: +971-4-2271505 URL: www.apexpowerconcepts.com