

BH-250 Series PV DC Isolation Switch



IEC/EN 60947-3
GB/T 14048.3

- 1 Brand
- 2 Model
- 3 On Off
- 4 Rated Current
- 5 Nominal Insulation Voltage
- 6 Rated Withstand Voltage
- 7 Utilization Category
- 8 Auxiliary Contact
- 9 Lockable Handle
- 10 Rated Voltage
- 11 Certificate Mark
- 12 Electrical Symbol

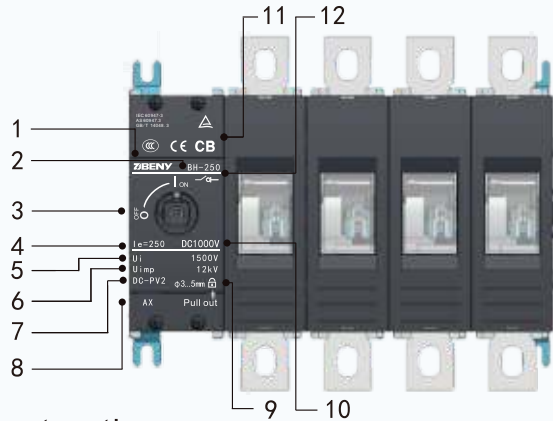


Application

ZIBENY BH-250 DC disconnect switch is designed and developed for solar PV inverter, combiner box or any DC equipments build-in according to IEC60947-3. The DC load break switches provide safety isolation for one DC circuit up to 1500VDC 250 A.

High capacity 10KA for 50ms test and patented DC arc extinguishing chamber ensure fast disconnection and reliable operation for longer working life.

Appearance Introduction







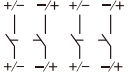
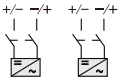

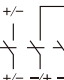

Type Instruction

BH	-	250	-	4P	-	250A	-	A	-	AX
↓		↓		↓		↓		↓		↓
Model		Max Current		Pole		Rated Current		Assembling way		Auxiliary contact
PV DC Isolation Switch		250A		<input type="checkbox"/> 2P <input type="checkbox"/> 3P <input type="checkbox"/> 4P		<input type="checkbox"/> 80A <input type="checkbox"/> 100A <input type="checkbox"/> 125A <input type="checkbox"/> 160A <input type="checkbox"/> 200A <input type="checkbox"/> 250A		<input type="checkbox"/> Blank <input type="checkbox"/> A <input type="checkbox"/> B <input type="checkbox"/> A1 <input type="checkbox"/> B1		<input type="checkbox"/> without <input type="checkbox"/> with




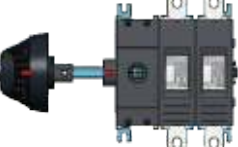





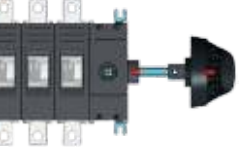



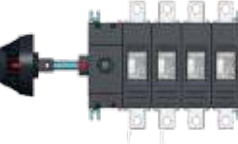
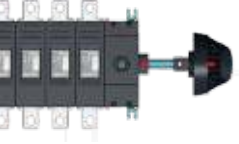
Parameter

Electrical Characteristics	
Rated Working Voltage	Ue 1000V \ 1500V
Rated Current	Ie 250A
Rated impulse withstand voltage	Uimp 12kV
Rated short-time withstand current (1s)	Icw 8kA
Rated short-circuit making capacity	Icm 10kA
Rated conditional short-circuit current(kA)	10kA
Installation Environment	
Utilization category DC	DC-PV2
Number of cycles of operation(With current)	Ie ≤ 100A 300 ; 100A < Ie 200
Number of cycles of operation(Without current)	10000
Pole	2\3\4
Mounting	Base Screws Mounting
Screws for mounting(M5)	2.0~3.0N.m
Wiring Screw(M8)	acc.IEC 60947-1 10~15N.m
Ambient temperature allowed between	-40°C ~ +80°C
Storage temperature allowed between	-40°C ~ +85°C
Relative Humidity	90%
Pollution degree	3
IP rating terminals	IP20
Outside the ark handle	IP66

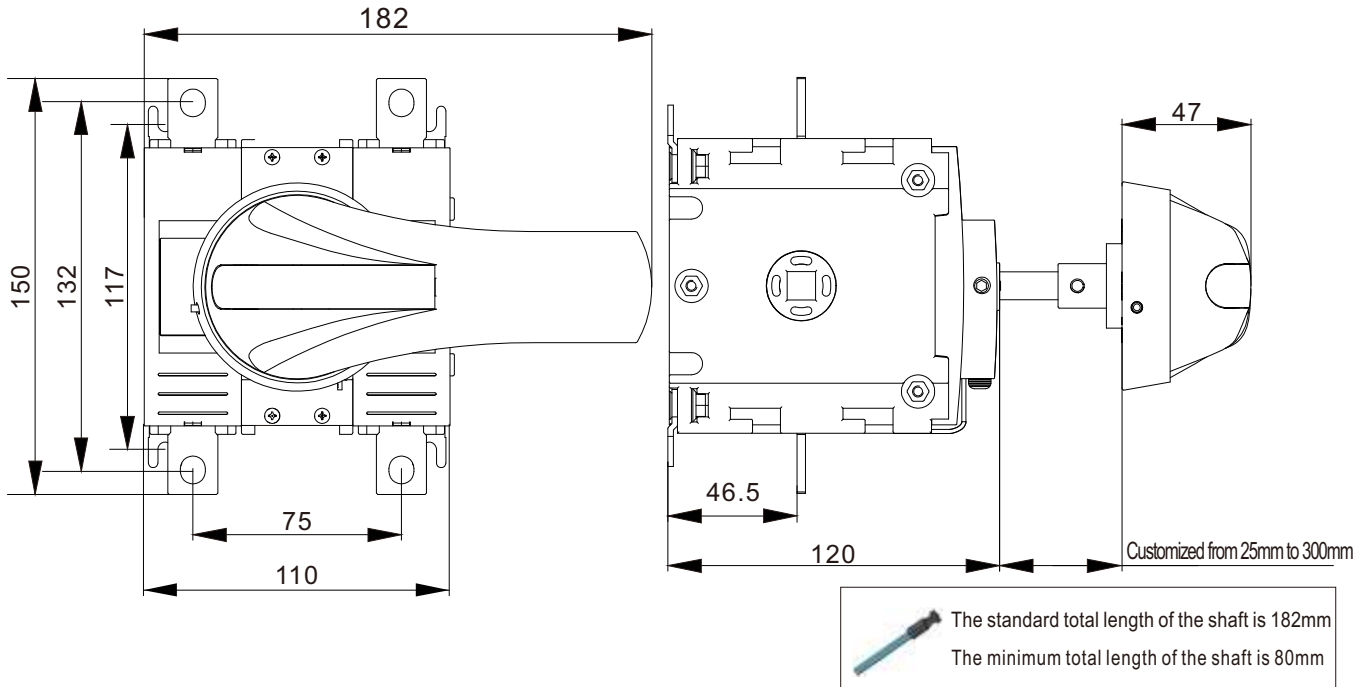
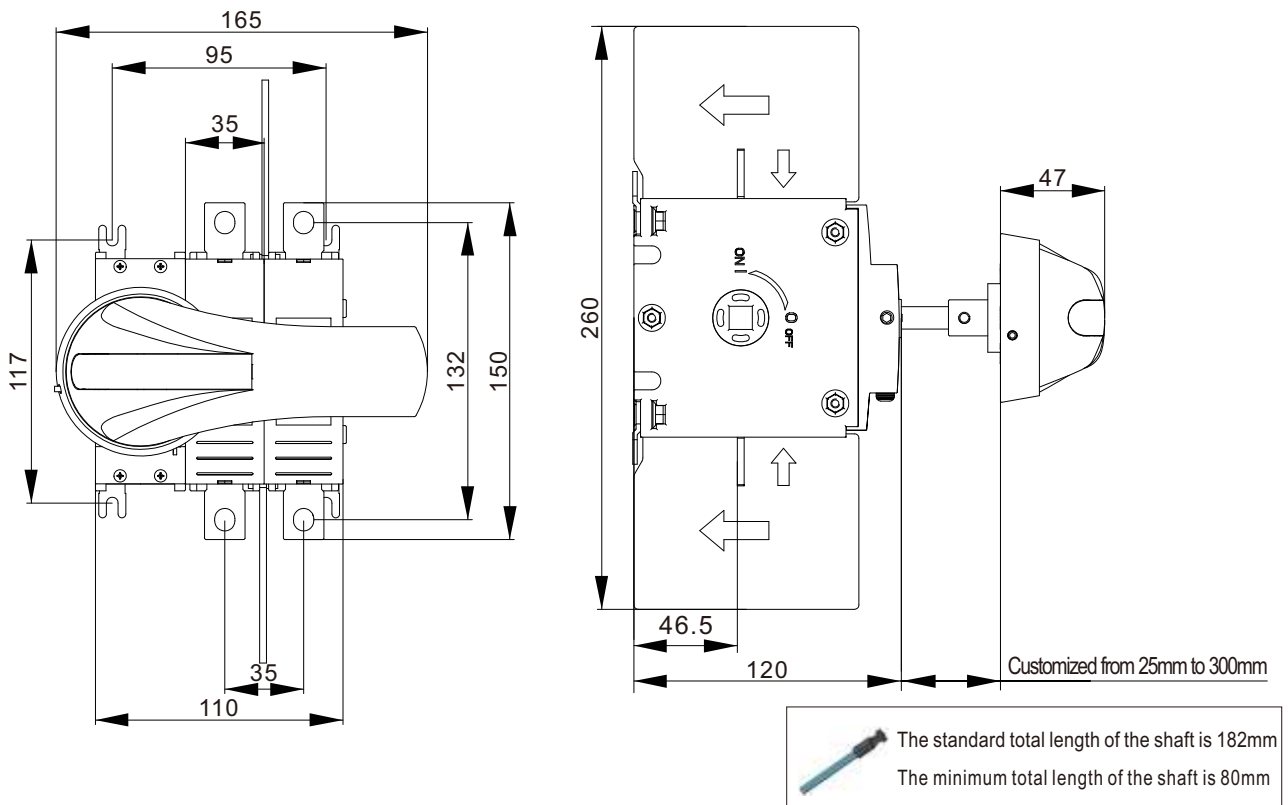
Wiring Graph

Model	Wiring Graph	Ue rated operational voltage DC Volts	Rated operational current	Poles in series	Number of Strings
BH-250-2P 		1000V	80A\100A\125A 160A\200A\250A	2	1
	Example				
					
BH-250-4P 		1000V	80A\100A\125A 160A\200A\250A	2	2
	Example				
					
BH-250-3P 		1500V	80A\100A\125A 160A\200A\250A	2	1
	Example				
					

Product Selection

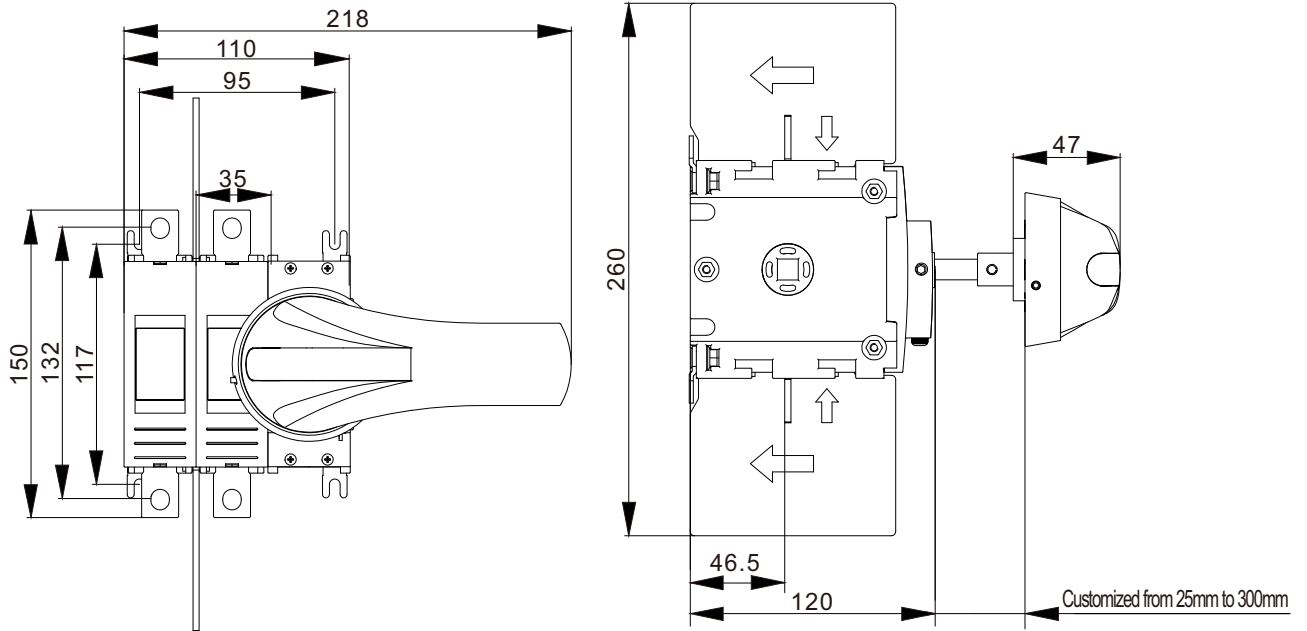
Model	Front Operation			The side operation	
	\	A	B	A1	B1
BH-250-2P					
BH-250-3P					
BH-250-4P					


Dimension (mm)

BH-250-2P**BH-250-2P-A**

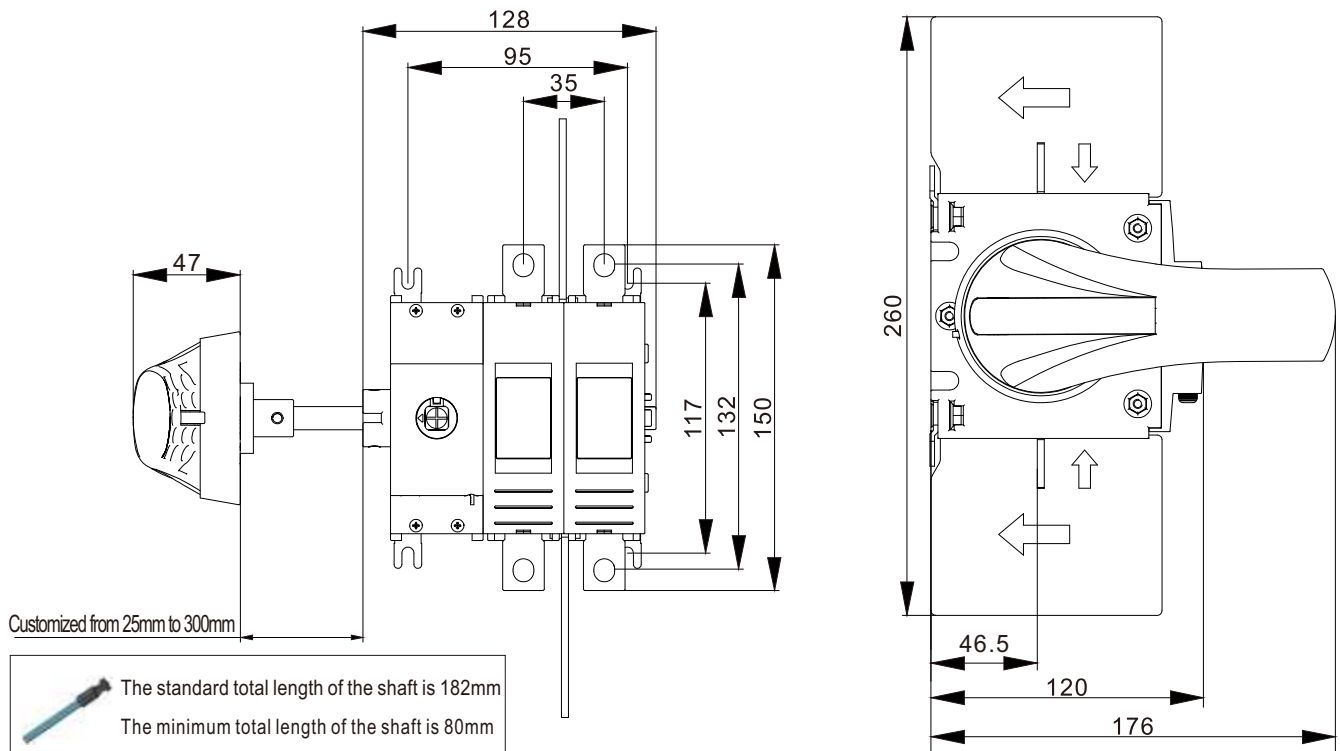
Dimension (mm)


BH-250-2P-B



 The standard total length of the shaft is 182mm
 The minimum total length of the shaft is 80mm

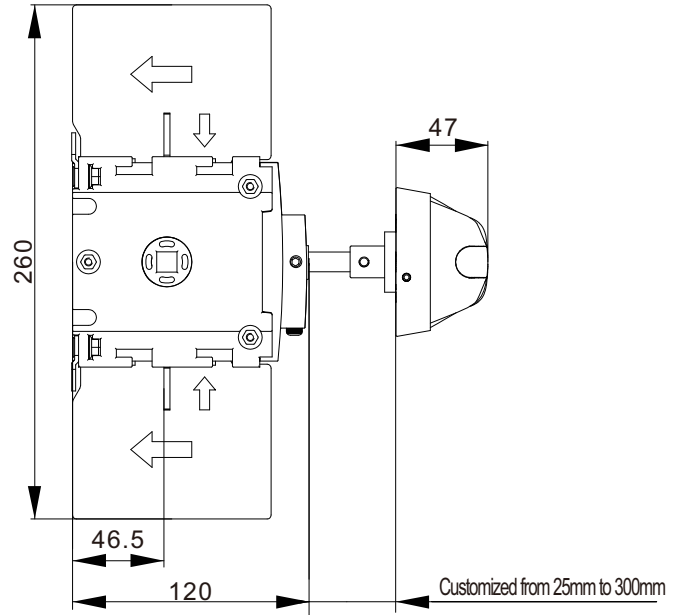
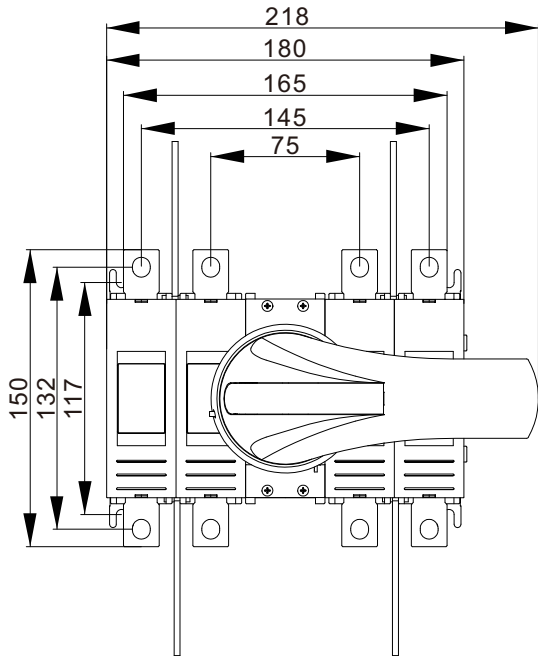
BH-250-2P-A1&B1




 The standard total length of the shaft is 182mm
 The minimum total length of the shaft is 80mm

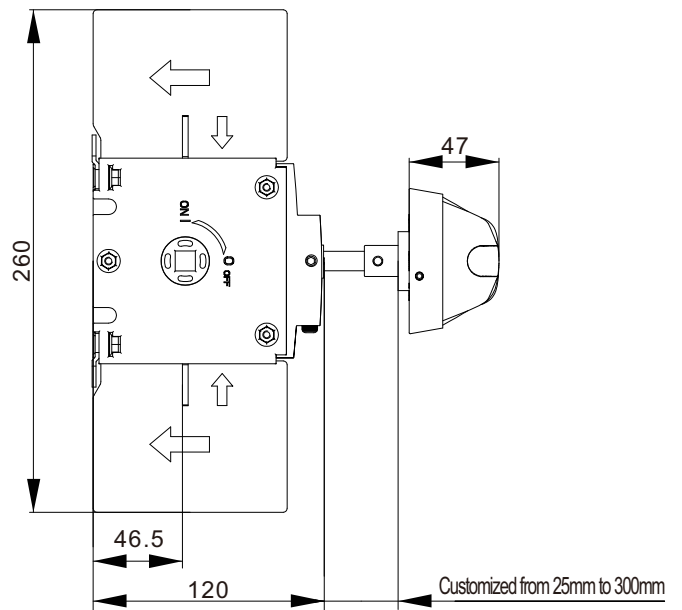
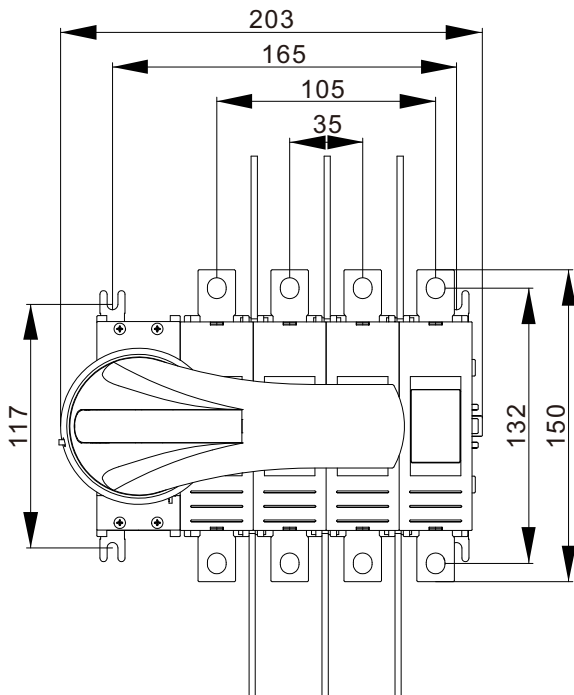
Dimension (mm)


BH-250-4P



 The standard total length of the shaft is 182mm
The minimum total length of the shaft is 80mm

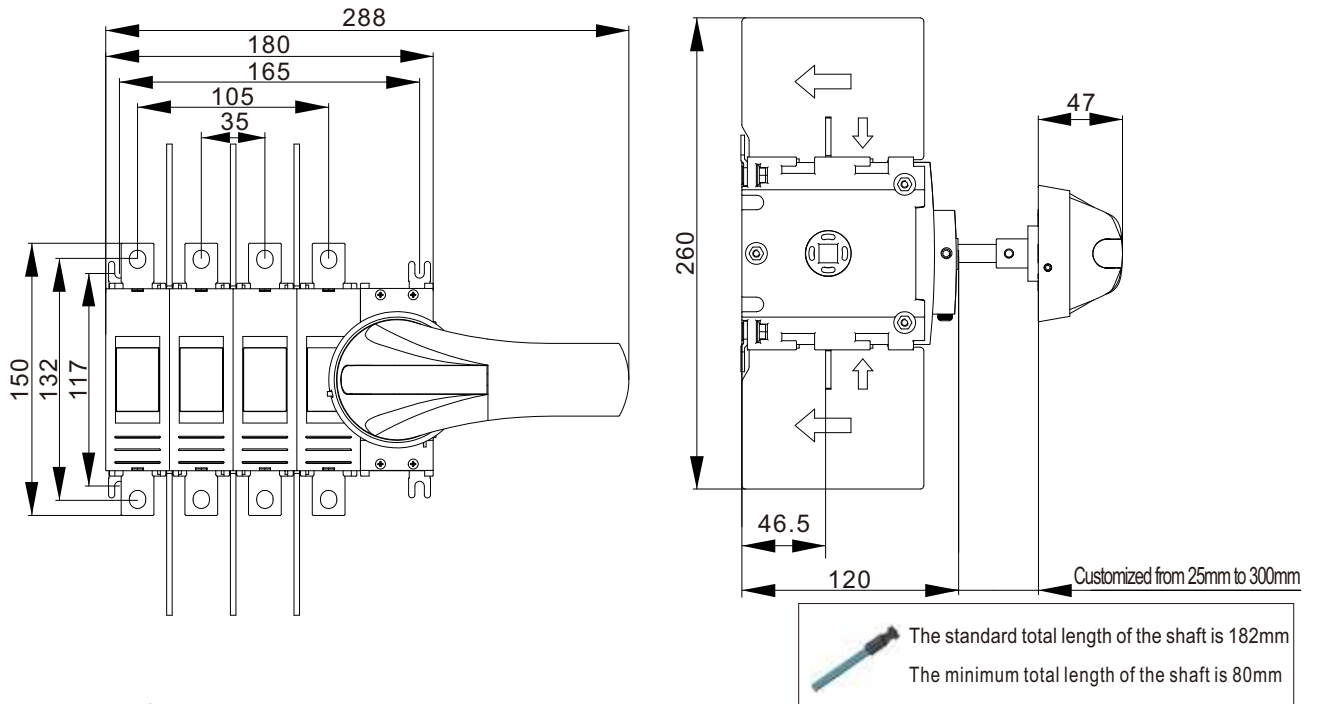
BH-250-4P-A



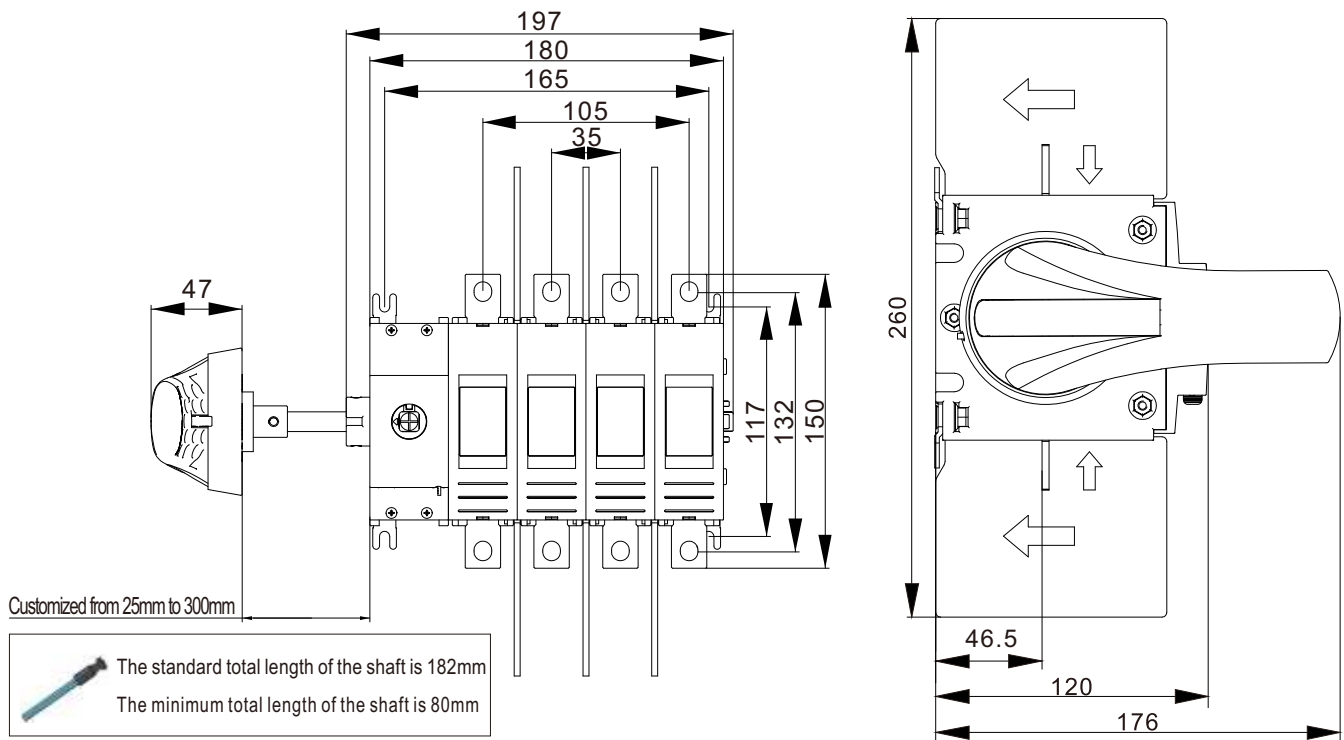
 The standard total length of the shaft is 182mm
The minimum total length of the shaft is 80mm

Dimension (mm)

BH-250-4P-B

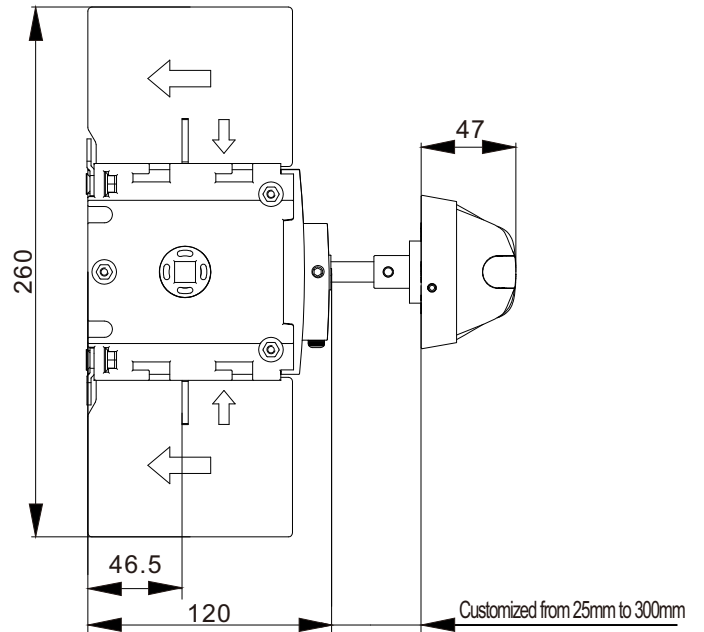
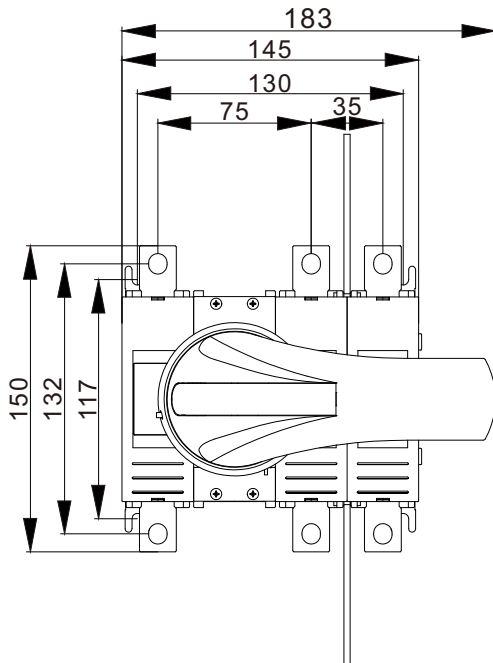



BH-250-4P-A1&B1



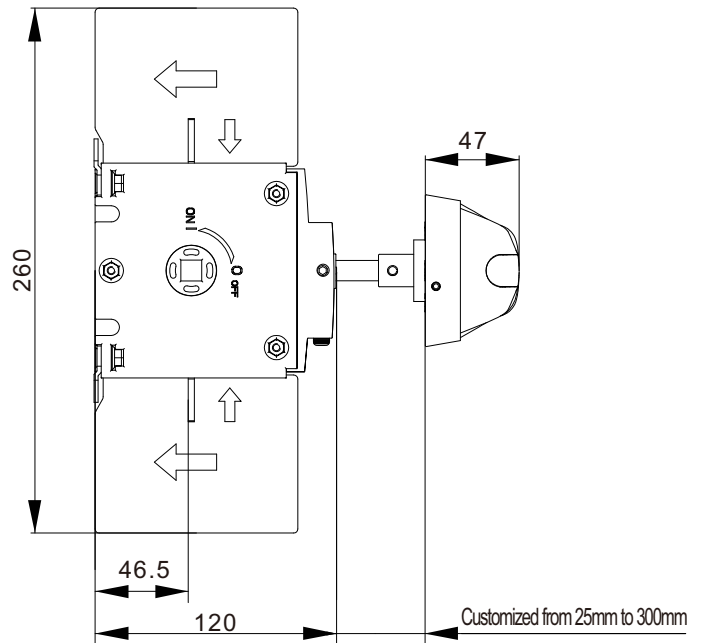
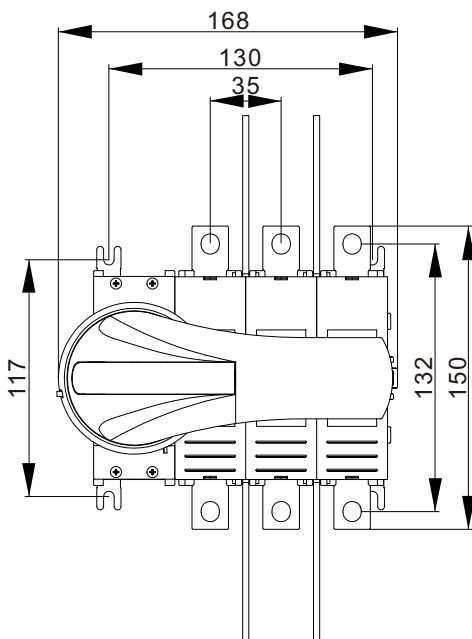
Dimension (mm)


BH-250-3P



 The standard total length of the shaft is 182mm
The minimum total length of the shaft is 80mm

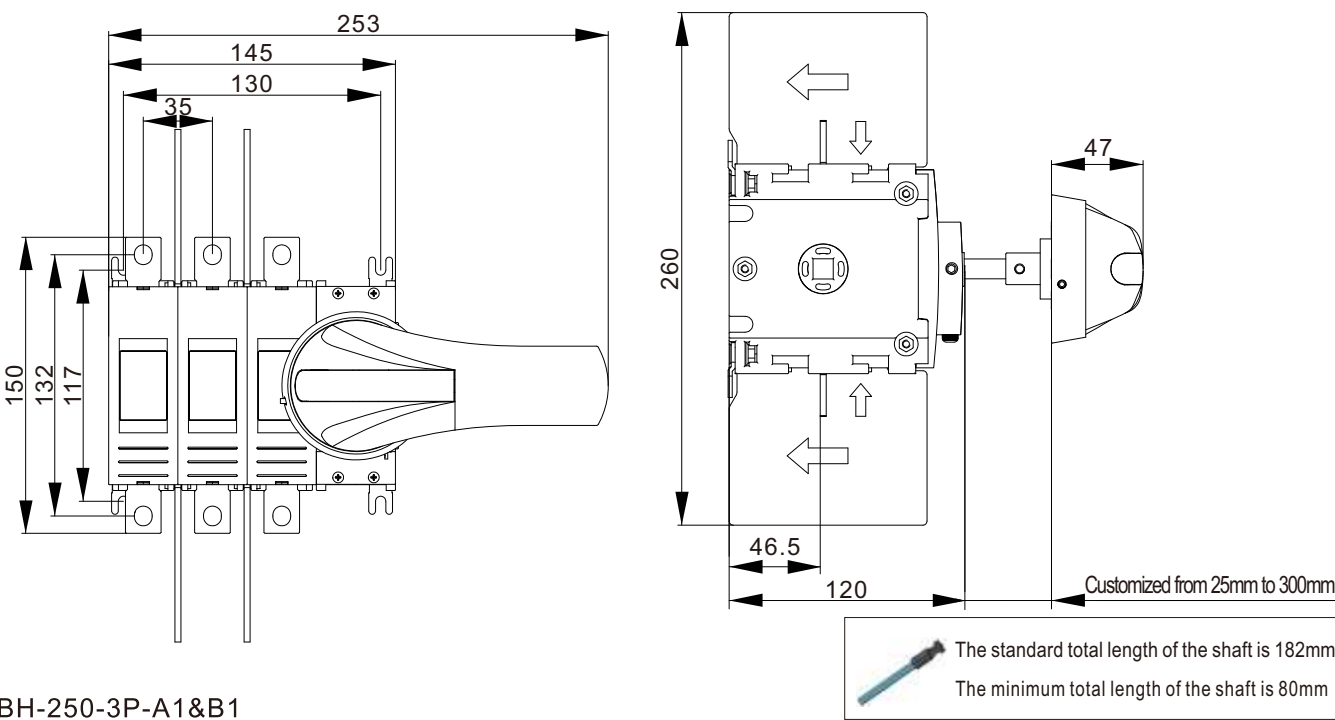
BH-250-3P-A




 The standard total length of the shaft is 182mm
The minimum total length of the shaft is 80mm

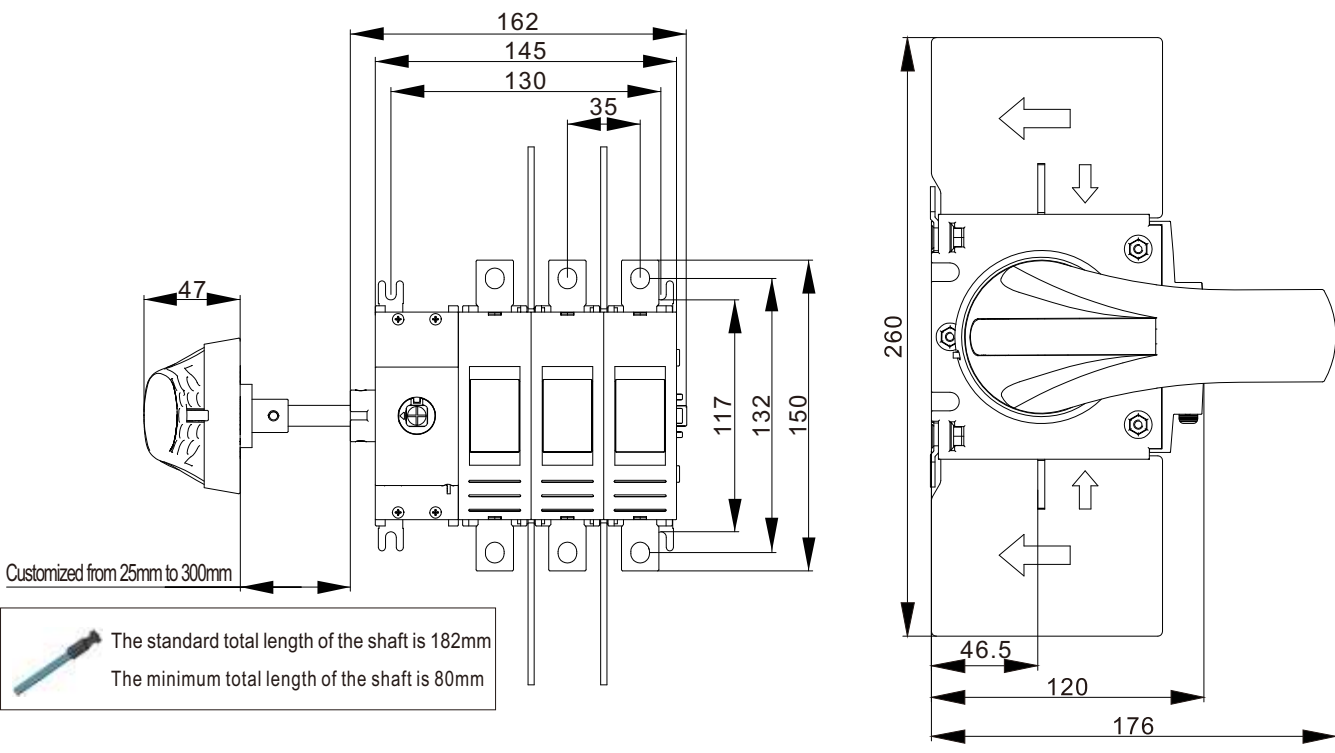
Dimension (mm)


BH-250-3P-B



 The standard total length of the shaft is 182mm
 The minimum total length of the shaft is 80mm

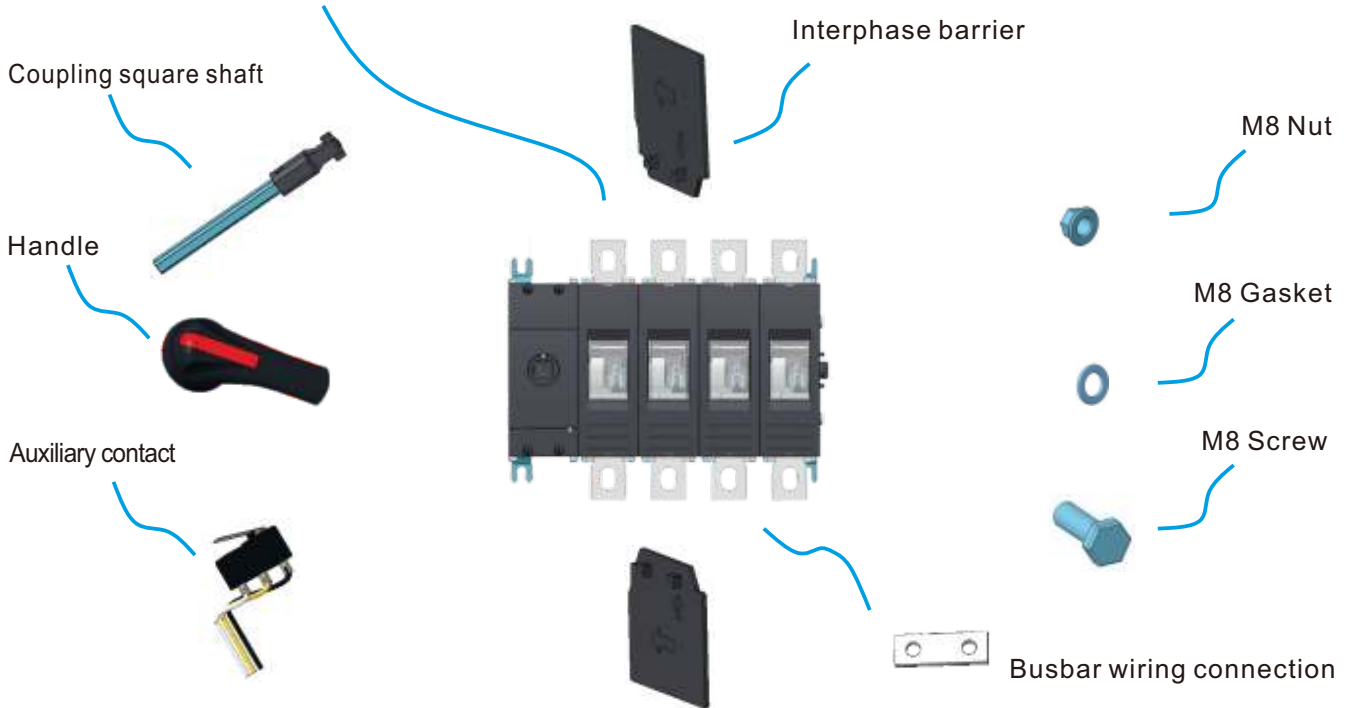
BH-250-3P-A1&B1



 The standard total length of the shaft is 182mm
 The minimum total length of the shaft is 80mm

Switches and accessories

Front and side operable products



Accessory

Name	The attachment list
standard configuration	<ul style="list-style-type: none"> <input checked="" type="checkbox"/> Handle <input checked="" type="checkbox"/> Coupling square shaft (The standard length is 182mm) <input checked="" type="checkbox"/> Interphase barrier <input checked="" type="checkbox"/> M8 Binding kits <input checked="" type="checkbox"/> Specification <input checked="" type="checkbox"/> Busbar wiring connection (DC1500V dedicated)
apolegamy	<ul style="list-style-type: none"> <input type="checkbox"/> Auxiliary contact <input type="checkbox"/> Coupling square shaft Custom length _____ mm

Derating data

Derating Temperature

Type	Tem	-40°C ~ +55°C	+60°C	+65°C	+70°C	+75°C	+80°C
	Current						
BH-250		250A	245A	237.5A	230A	225A	220A

Derating Altitude

Altitude	2000m	3000m	4000m	5000m
Power frequency withstand voltage	3820VDC	3820VDC	3820VDC	3820VDC
Isolation voltage	1500VDC	1500VDC	1500VDC	1500VDC
Working current	250A	250A	237.5A	230A
Working voltage	N/A			

Installation and use

The connecting conductor shall be copper conductor or equivalent copper row. The sectional area shall be selected according to the table

Rated current (A)	80A	100A	125A	160A	200A	250A
The area of a wire or copper conductor mm ²	25mm ²	35mm ²	50mm ²	70mm ²	95mm ²	120mm ²

ZHEJIANG BENYI ELECTRICAL CO., LTD

Address: Wenzhou Bridge Industrial Zone,
Beibaixiang Town, Zhejiang China

TEL: +86-577-5717 7222

FAX: +86-577-5717 7007

Email: benyi@zjbeny.com

Http: // www.beny.com

 This catalogue has been printed on ecological paper.

 Zhejiang Benyi Electrical Co., Ltd. all rights reserved.

 If the models and specifications in this product catalogue is changed due to the change of products, we will not inform .



Scan it to **ZIBENY** website!