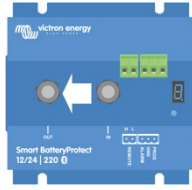


**Smart BatteryProtect 48/100**  
 ENGLISH

**Installation**

- The Smart BatteryProtect (SBP) must be installed in a well-ventilated area and preferably close (max 50 cm) to the battery (but, due to possible corrosive gasses not above the battery!). **Voltage drop over a long or undersized cable between the battery plus and the SBP may result in a short circuit alarm when starting-up the load, or unexpected shutdown.**
- A properly sized fuse must be inserted according to local regulations in the cable between the battery and the SBP.
- The SBP is designed to allow current to flow from IN (battery) to OUT (load) terminals only. Reverse currents from OUT to IN terminals are strictly forbidden and will damage the device. If you wish to use the SBP as a disconnection for a charge source, you must orient the unit in the system so that the current is flowing in the intended direction, IN to OUT.
- The short circuit protection of the SBP will be activated if you try to directly connect loads with capacitors on their input (eg inverters). For that use case, please use the SBP to control the remote on/off switch on the inverter, instead of disconnecting the higher power DC line.
- Use a 1,5mm<sup>2</sup> wire (included) for the GND connection, which should be connected directly to the battery negative terminal (or the chassis of a vehicle). No other equipment should be connected to this wire.
- The SBP automatically detects the system voltage **once only** during initial power up. During the voltage detection the 7-segment display shows a series of flashes between the top and lower part.
- Do not connect the load output until the SBP has been fully programmed.
- A remote on-off switch can be connected between Remote H and Remote L (see figure 1). Alternatively, terminal H can be switched high (to battery positive), or terminal L can be switched low (to battery negative).
- A buzzer, LED or relay can be connected between the alarm output terminal and the battery positive (see figure 1). Maximum load on the alarm output: 50 mA (short circuit proof).


**Load disconnect events and alarm output options**

Buzzer or LED mode (buzzer or LED connected to the alarm output):

- In case of under voltage, a continuous alarm will start after 12 seconds. The SBP will disconnect the load after 90 seconds and the alarm will stop. Reconnect delay: 30 seconds.
- In case of over voltage, the load will be disconnected immediately, and an intermittent alarm will remain on until the overvoltage problem has been corrected. There is no reconnect delay.

Relay mode (relay connected to the alarm output):

- In case of under voltage, the relay will engage after 12 seconds. The SBP will disconnect the load after 90 seconds and the relay will disengage.
- In case of over voltage, the load will be disconnected immediately, and the alarm output will remain inactive. Overvoltage trip level: 65.2 V

Li-ion mode:

- Connect the load disconnect output of the VE.Bus BMS to Remote H terminal. The load is disconnected immediately when the load-disconnect output of the VE.Bus BMS switches from 'high' to 'free floating' (due to battery cell under voltage, over voltage or over temperature). The under voltage thresholds and alarm output of the SBP are inactive in this mode.

**Operation**

There are 9 possible error modes and 2 warning modes, indicated by the 7 segment display and within VictronConnect when using a Bluetooth enabled smartphone or tablet:

- E 0 Calibration failure
- E 1 Short circuit
- E 2 Over temperature / P2 Over temperature warning
- E 3 Under voltage / P3 Under voltage warning
- E 4 Over voltage
- E 5 Configuration Failure
- E 6 Reference Voltage Failure
- E 7 BMS Lockout
- E 8 Reverse current

After 5 minutes the error is no longer displayed to reduce current consumption.

Please refer to the Appendix for more info on each error.

The decimal point of the 7-segment display is used for status indication:

- On solid: the SBP attempts to activate the output
- Flash every 5s: output is active
- Flashing every 2s in Li-ion mode: output 'connecting'

Remote control and short circuit

- The SBP will connect the load 1 second after closing the remote contact.
- The SBP will disconnect the load immediately when the remote contact is opened.
- When in Li-ion mode the SBP will observe a dead period of 30 seconds after the remote input of the SBP has become free floating. See the note under figure 4 for a detailed description.
- In case of a short circuit, the SBP will attempt to connect the load every 5 seconds. After two attempts the display will show E 1 (short circuit detected).

**Programming**

When switched off (remote open), the SBP can be programmed by connecting the PROG pin to ground. Alternatively, it can be programmed with a Bluetooth enabled smartphone or tablet using VictronConnect. The 7-segment display will first step through the shutdown and restart voltages. Disconnect the PROG pin when the desired voltage is displayed.

The display will confirm the chosen voltage and default mode (A) twice.

Reconnect the PROG pin to ground if another mode is (b or C) is required. Disconnect when the required mode is displayed.

The display will confirm the chosen voltage and mode twice.

 The PIN code can be reset by selecting P option. **Bonding information needs to be removed after selecting this option.**

Bluetooth can be disabled/re-enabled with the VictronConnect app or by selecting F (enable) or h (disable). See table below:

**Programming table**

| 7 segment display | Under voltage shut down<br>48 V system | Under voltage restart<br>48 V system |
|-------------------|--|--------------------------------------|
| 0                 | 42 V                                   | 48 V                                 |
| 1                 | 40 V                                   | 46 V                                 |
| 2                 | 38 V                                   | 46 V                                 |
| 3                 | 45 V                                   | 53 V                                 |
| 4                 | 46 V                                   | 55.2 V                               |
| 5                 | 42 V                                   | 51.2 V                               |
| 6                 | 46 V                                   | 51.2 V                               |
| 7                 | 47.2 V                                 | 51.2 V                               |
| 8                 | 48 V                                   | 52 V                                 |
| 9                 | 40 V                                   | 52.8 V                               |
| -                 | User defined settings with Bluetooth   |                                      |
| A                 | Buzzer or LED mode                     |                                      |
| b                 | Relay mode                             |                                      |
| C                 | Li-ion mode                            |                                      |
| F                 | Bluetooth Enable                       |                                      |
| h                 | Bluetooth Disable                      |                                      |
| P                 | PIN code reset                         |                                      |

This device complies with part 15 of the FCC Rules.

Operation is subject to the following two conditions:

- (1) this device may not cause harmful interference, and
- (2) this device must accept any interference received, including interference that may cause undesired operation.

**Warning (part 15.21)**

Changes or modifications not expressly approved by the party responsible for compliance could void the user's authority to operate the equipment.

**Information to the User (part 15.105b)**

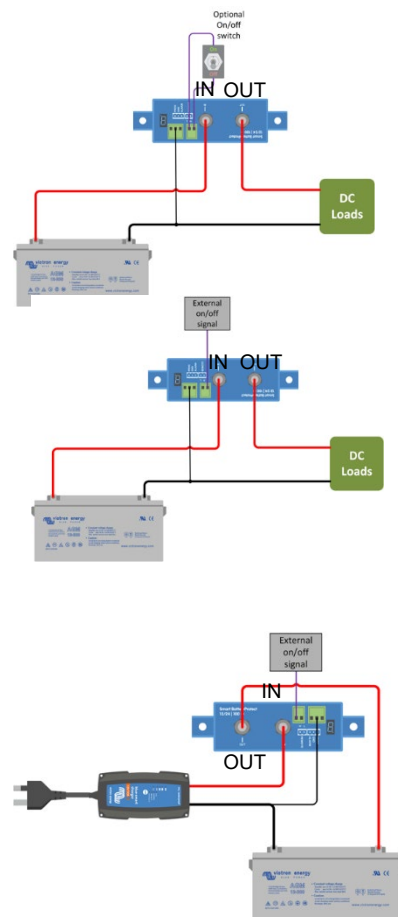
Note: This equipment has been tested and found to comply with the limits for a Class B digital device, pursuant to part 15 of the FCC Rules. These limits are designed to provide reasonable protection against harmful interference in a residential installation. This equipment generates, uses and can radiate radio frequency energy and, if not installed and used in accordance with the instructions, may cause harmful interference to radio communications. However, there is no guarantee that interference will not occur in a particular installation. If this equipment does cause harmful interference to radio or television reception, which can be determined by turning the equipment off and on, the user is encouraged to try to correct the interference by one or more of the following measures:

- Reorient or relocate the receiving antenna.
- Increase the separation between the equipment and receiver.
- Connect the equipment into an outlet on a circuit different from that to which the receiver is connected.
- Consult the dealer or an experienced radio/TV technician for help.

This device contains a transmitter with FCC ID: SH6MDBT42Q

**Specifications**

| Smart BatteryProtect        |         | SBP 48 100  |
|-----------------------------|---------|---|
| Maximum cont. load current  |         | 100 A   |
| Peak current                |         | 250 A   |
| Operating voltage range     |         | 24 – 70 V   |
| Current consumption         | BLE on  | When on: 1,9 mA When off or low voltage shutdown: 1,7 mA          |
|                             | BLE off | When on: 1,7 mA When off or low voltage shutdown: 1,6 mA          |
| Alarm output delay          |         | 12 seconds  |
| Max. load on alarm output   |         | 50 mA (short circuit proof)                                       |
| Load disconnect delay       |         | 90 seconds (immediate if triggered by the VE.Bus BMS)             |
| Default thresholds          |         | Disengage: 42 V Engage: 48 V                                      |
| Operating temperature range |         | Full load: -40 °C to +40 °C (up to 60 % of nominal load at 50 °C) |
| Connection                  |         | M8  |
| Mounting Torque             |         | 9 Nm  |
| Weight                      |         | 0,8 kg 1.8 lbs  |
| Dimensions (hxxwxd)         |         | 62 x 123 x 120 mm<br>2.5 x 4.9 x 4.8 inch                         |

**Example Wiring Diagrams**


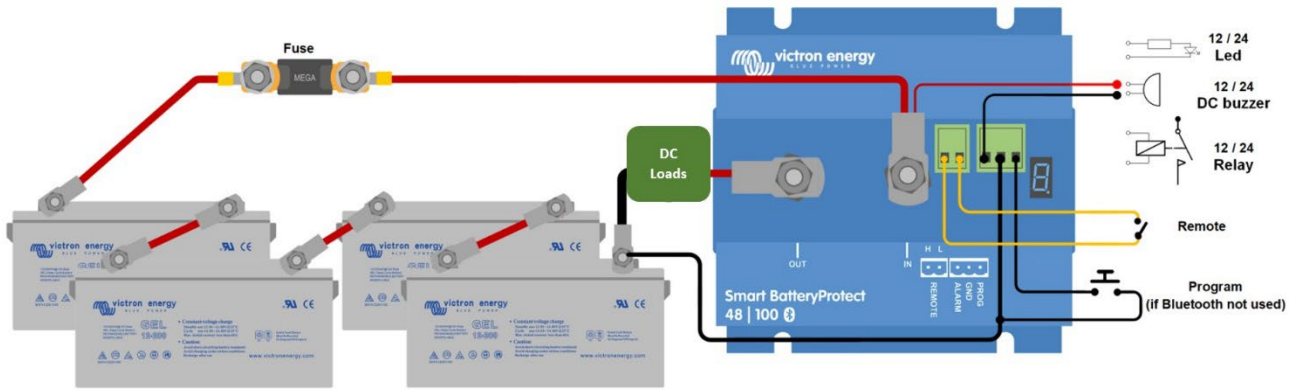


Figure 1 Connection diagram of the SBP 48|100 (use the remote input for system on/off functionality)

- 2.1 H remote (Remote H terminal, can be connected to battery plus to turn on)
- 2.2 L remote (Remote L terminal, can be connected to battery minus to turn on)
- 1.1 ALARM
- 1.2 GND
- 1.3 PROG

Figure 2: Connection diagrams and pin numbering

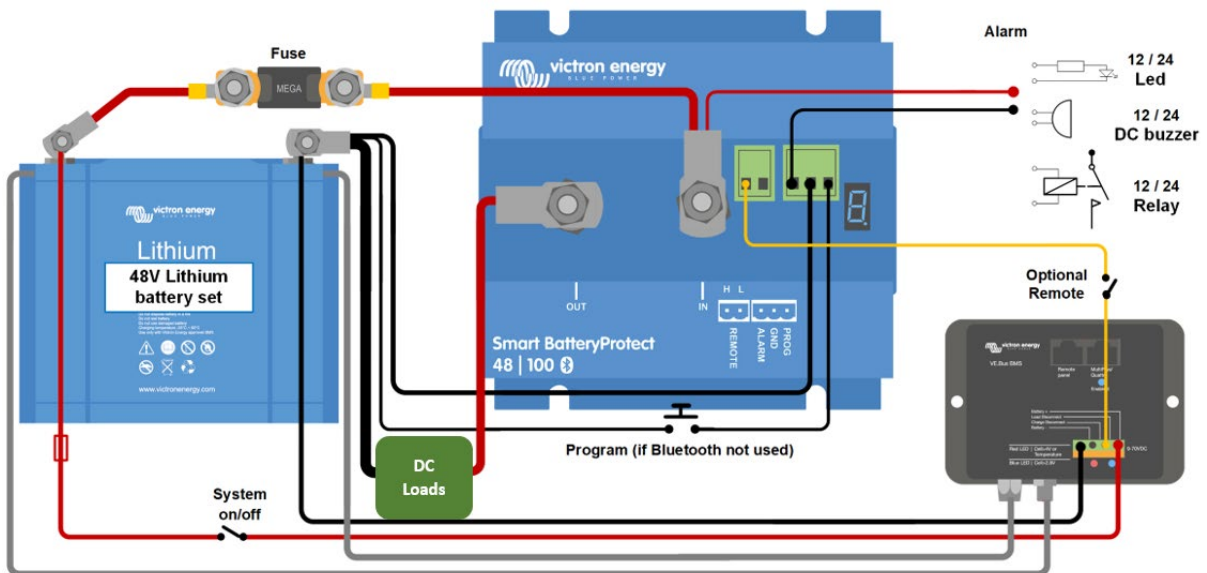


Figure 3: System with 48 V Li-ion battery set (applicable with VE.Bus BMS or smallBMS)

Note: When in Li-ion mode, the SBP will disengage when the H input becomes free floating, and will remain disengaged for 30 seconds even if it receives a re-engage signal within that time period. After 30 seconds it will respond immediately to a re-engage signal. Therefore, there will normally be no waiting time if the SBP is used as a system on-off switch (use the System on/off switch in the positive supply of the BMS for this purpose).

Similarly, if a system shut down occurred due to low cell voltage, the SBP will remain disengaged for 30 seconds even if it receives a re-engage signal within that time period (which will happen when no other loads are connected to the battery). After 3 attempts to re-engage, the SBP will remain disengaged until battery voltage has increased to more than 52V during at least 30 seconds (which is a sign that the battery is being recharged). The under voltage thresholds and alarm output of the SBP are inactive in this mode.

To manually make it start again, briefly disconnect and reconnect the remote on/off terminal or switch the BMS off and on again.

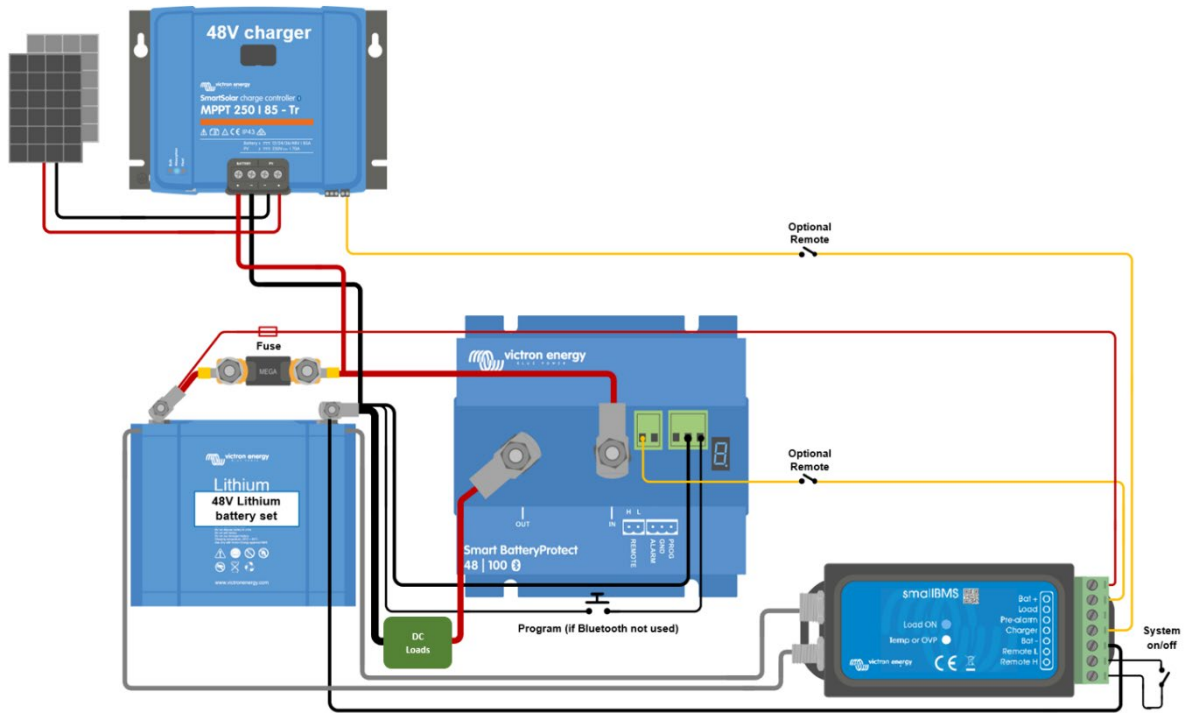


Figure 4: DC solar system with Lithium battery (applicable with VE.Bus BMS or smallIBMS)

**Caution:** uncontrolled reverse current will flow through a Smart BatteryProtect if  $V_{out} > V_{in}$ . Therefore, never use a Smart BatteryProtect for battery to battery charging.

## APPENDIX

### Error/ Warning Codes

#### E0: Calibration failure

Internal malfunction – calibration data failure/missing



Contact dealer for support – Fault is not user correctable and SBP requires replacement

#### E1: Short circuit

Short circuit protection is activated in the event of a short circuit, an overload condition or excessive inrush current - such as when attempting to directly power an inverter



1. Check for a potential short circuit condition
2. Confirm that the load current draw does not exceed the SBP current rating
3. Use the SBP to control the remote on/off switch on loads with high inrush currents, rather than directly powering/disconnecting the DC supply
4. Check for loose/high resistance connections and ensure that appropriate gauge wiring is used in the installation

#### P2: Over temperature warning

##### Urgent intervention required to prevent load disconnection

Internal temperature close to the limit. Over temperature protection will be activated if temperature continues to rise

#### E2: Over temperature

Over temperature protection is activated in the event of excessive internal temperature



1. Confirm that the load current draw does not exceed the SBP current rating
2. Check for loose/high resistance connections and ensure that appropriate gauge wiring is used in the installation
3. Do not install the SBP unit in a location exposed to high temperature or radiant heat - relocate SBP to a cooler position or provide additional active cooling

#### P3: Under voltage warning

##### Urgent intervention required to prevent load disconnection

Under voltage protection will be activated in 90 seconds if no action is taken

#### E3: Under voltage

Under voltage protection is activated in the event that the input voltage drops below the under voltage limit selected for 90 seconds



1. Switch off/disconnect loads and recharge the battery
2. Check charging system and battery for proper operation

#### E4: Over voltage

Over voltage protection is activated in the event that the input voltage exceeds 64 V



1. Confirm the configuration of all charging devices in the system - particularly system voltage and charge voltage settings
2. Check charging system for proper operation
3. Confirm SBP system voltage configuration is correct

#### E5: Configuration failure

Internal malfunction - configuration data failure/missing



- To recover the SBP from this condition;
1. Reset the unit to factory defaults under - Settings > More options > Reset to defaults
  2. Disconnect all power and wait 3 minutes before reconnecting
  3. Reconfigure the unit as required

#### E6: Reference voltage failure

Internal malfunction - reference voltage failure/missing



Contact dealer for support - Fault is not user correctable and SBP requires replacement

#### E7: BMS lockout

BMS lockout protection is activated in the event the external BMS requests the SBP to consecutively disengage and then re-engage 3 times (typical behaviour during a shut down due to low cell voltage)

Once E7 is activated the SBP will remain disengaged until input voltage exceeds 52 V



1. Check BMS error codes/log to identify the cause of shut-down and rectify issue
2. Switch off/disconnect loads and recharge the battery
3. Check wiring between BMS and SBP Remote terminal
4. Check BMS for proper operation

#### E8: Reverse current

Reverse current protection is activated in the event that reverse current flow is detected

**CAUTION: SBP is designed to allow or prevent current flow from IN to OUT terminals ONLY. Reverse current flow is strictly forbidden and may permanently damage the SBP.**



1. Check that the SBP installation orientation is correct - current flow must be from IN to OUT (refer to example wiring diagrams)
2. Confirm that no charging sources are inadvertently connected to the SBP OUT terminal/circuit
3. If the SBP is used to disconnect a charge source, confirm that no loads are inadvertently connected to the SBP IN terminal/circuit

**Smart BatteryProtect 48/100**  
 NEDERLANDS
**Installatie**

1. De Smart BatteryProtect (SBP) moet in een goed geventileerde ruimte worden geïnstalleerd en bij voorkeur dichtbij (max. 50 cm) de accu (maar vanwege mogelijke corrosieve gassen niet boven de accu!). **Spanningsval over een lange of ondermaatse kabel tussen de accu-plus en de SBP kan resulteren in het afgaan van een kortsluitalarm bij het opstarten van de belasting of het onverwacht uitschakelen.**

2. Er moet een zekering van het juiste formaat op de kabel tussen de accu en de SBP worden geplaatst, volgens de lokale voorschriften.

3. De SBP is ontworpen om de stroom uitsluitend te laten lopen van de IN- (accu) naar UIT- (belasting) aansluitklemmen.

Omgekeerde stroom, van de UIT- naar IN-aansluitklemmen is ten strengste verboden en zal het apparaat beschadigen. Als u de SBP wilt gebruiken voor de ont koppeling van een laadbron, moet u de eenheid in het systeem zodanig oriënteren dat de stroom in de beoogde richting loopt, van IN naar UIT.

4. De kortsluitbeveiliging van de SBP wordt geactiveerd wanneer u belastingen met condensatoren op hun ingang (bijv. omvormers) rechtstreeks probeert aan te sluiten. Gebruik in dat geval de SBP om de externe aan-/uitschakelaar op de omvormer te bedienen, in plaats van het ontkoppelen van de hogere DC-spanningslijn.

5. Gebruik een 1,5 mm<sup>2</sup> draad (inbegrepen) voor de GND-verbinding, die rechtstreeks met de negatieve klem van de batterij (of het chassis van een voertuig) verbonden zou moeten worden. Er mag geen andere apparatuur op deze draad worden aangesloten.

6. De SBP detecteert maar eenmaal automatisch het systeemvoltage tijdens het initiële inschakelen. Tijdens spanningsdetectie toont het 7-segmentenscherf een reeks knipperingen tussen het bovenste en onderste gedeelte.

7. Sluit de belastinguitgang niet aan totdat de BP volledig is geprogrammeerd.

8. Een externe aan-/uitschakelaar kan worden aangesloten tussen Externe H en Externe L (zie figuur 1). Als alternatief kan klem H hoog worden omgeschakeld (naar batterij positief), of klem L kan laag worden omgeschakeld (naar batterij negatief).

9. Een zoemer, LED of relais kan verbonden worden tussen de alarmuitvoerklem en de batterij positief (zie afbeelding 1). Maximale belasting op de alarmuitgang: 50 mA (kortsluitvast)

**Belastingontkoppelingsevenementen en alarmuitgangsopties**

Zoemer- of LED-modus (zoemer of LED aangesloten op de alarmuitgang):

- Bij onderspanning zal na 12 seconden een onafgebroken alarm opstarten. De SBP zal de belasting na 90 seconden ontkoppelen, waarna het alarm stopt. Vertraging bij het opnieuw aansluiten: 30 seconden.
- In geval van overspanning wordt de belasting onmiddellijk ontkoppeld en blijft er een intermitterend alarm aanstaan, totdat het overspanningsprobleem is verholpen. Er treed geen vertraging op bij het opnieuw aansluiten.

Relaismodus (relais aangesloten op de alarmuitgang):

- In het geval van onderspanning, zal het relais na 12 seconden inschakelen. De SBP ontkoppelt de belasting na 90 seconden, waarna het relais zal uitschakelen.
- Bij overspanning wordt de belasting onmiddellijk ontkoppeld en blijft de alarmuitgang inactief. Uitschakelniveau bij overspanning: 65,2 V

Li-ion-modus:

- Sluit de belastingontkoppelinguitgang van de VE.Bus BMS aan op de Externe H-aansluitklem. De belasting wordt onmiddellijk ontkoppeld wanneer de belastingontkoppelinguitgang van de VE.Bus BMS overschakelt van 'hoog' naar 'potentiaalvrij' (als gevolg van de onderspanning, overspanning of overtemperatuur in de accu). De onderspanningsdrempels en de alarmuitgang van de SBP zijn in deze modus inactief.

**Gebruik**

Er zijn 9 mogelijke foutmodi en 2 waarschuwingsmodi, aangeduid door de 7 segment-weergave en binnen VictronConnect bij het gebruik van een met Bluetooth voorziene smartphone of tablet:

- E1 Kortsluiting gedetecteerd
- E2 Overbelasting of overtemperatuur/P2 waarschuwing overtemperatuur
- E3 Onderspanning/P3 Waarschuwing onderspanning
- E4 Overspanning
- E5 Instellingsfout
- E6 Referentiespanningsfout
- E7 BMS-uitsluiting

Na 5 minuten wordt de fout niet meer weergegeven om zo het stroomverbruik te verminderen.

Referer naar de Bijlage voor meer info over elke fout.

Het decimaalteken van het 7-segmentenscherf wordt gebruikt als statusindicatie:

- Vast: de SBP probeert de uitvoer te activeren
- Knippert elke 5 sec.: uitgang is actief
- Knippert elke 2 sec in Li-ion-modus: uitgang ' bezig met aansluiten'

Afstandsbediening en kortsluiting

- De SBP sluit de belasting aan 1 seconde na het afsluiten van het externe contact.
- De SBP ontkoppelt de belasting onmiddellijk wanneer het externe contact wordt geopend.
- In Li-ion modus zal de SBP een dode periode van 30 seconden waarnemen, nadat de externe ingang van de SBP potentiaalvrij is geworden. Zie opmerking onder figuur 4 voor een gedetailleerde beschrijving.
- In het geval van kortsluiting zal de SBP om de 5 seconden proberen de belasting aan te sluiten. Na twee pogingen zal het scherm de volgende tekst weergegeven E1 (kortsluiting gedetecteerd).

**Programmeren**

Wanneer uitgeschakeld (externe aansluiting open), kan de SBP worden geprogrammeerd door de PROG-pin aan te sluiten op aarde. Alternatief kan het geprogrammeerd worden met een met Bluetooth voorziene smartphone of tablet via VictronConnect

Het 7-segmentenscherf zal eerst de uitschakel- en herstartspanningen stappen doorlopen. Ontkoppel de PROG-pin wanneer de gewenste spanning wordt weergegeven.

Het scherm zal de gekozen spanning en standaardmodus bevestigen (A) tweemaal.

Sluit de PROG-pin opnieuw aan op aarde als een andere modus is (b of C) vereist. Ontkoppel wanneer de vereiste modus wordt weergegeven.

Het scherm bevestigt de gekozen spanning en modus tweemaal.

De pincode kan worden gereset door het selecteren van de P optie. **Bindingsinformatie moet worden verwijderd nadat deze optie is geselecteerd.** Bluetooth kan worden uitgeschakeld / opnieuw ingeschakeld met de VictronConnect-app of door het selecteren van F (inschakelen) of h (uitschakelen). Zie onderstaande tabel:

**Programmeertabel**

| 7-segmentenscherf | Uitschakeling bij onderspanning 48 V-systeem               | Herstart bij onderspanning 48 V-systeem |
|-------------------|--|---|
| 0                 | 42 V   | 48 V                                    |
| 1                 | 40 V   | 46 V                                    |
| 2                 | 38 V   | 46 V                                    |
| 3                 | 45 V   | 53 V                                    |
| 4                 | 46 V   | 55,2 V                                  |
| 5                 | 42 V   | 51,2 V                                  |
| 6                 | 46 V   | 51,2 V                                  |
| 7                 | 47,2 V   | 51,2 V                                  |
| 8                 | 48 V   | 52 V                                    |
| 9                 | 40 V   | 52,8 V                                  |
| -                 | Door de gebruiker gedefinieerde instellingen met Bluetooth |   |
| A                 | Zoemer- of LED-modus                                       |   |
| b                 | Relais-modus   |   |
| C                 | Li-ion-modus   |   |
| F                 | Bluetooth ingeschakeld                                     |   |
| h                 | Bluetooth uitschakelen                                     |   |
| P                 | Pincode reset  |   |

Dit apparaat voldoet aan deel 15 van de FCC-reglementering.

De werking ervan is onderworpen aan de volgende twee voorwaarden:

- (1) dit apparaat mag geen schadelijke interferentie veroorzaken, en
- (2) dit apparaat moet alle ontvangende interferentie accepteren, inclusief interferentie die een ongewenste werking kan veroorzaken.

**Waarschuwing (deel 15.21)**

Wijzigingen of aanpassingen die niet uitdrukkelijk zijn goedgekeurd door de partij die verantwoordelijk is voor de naleving kan de bevoegdheid van de gebruiker om de apparatuur te bedienen tenietdoen.

**Informatie voor de gebruiker (deel 15.105b)**

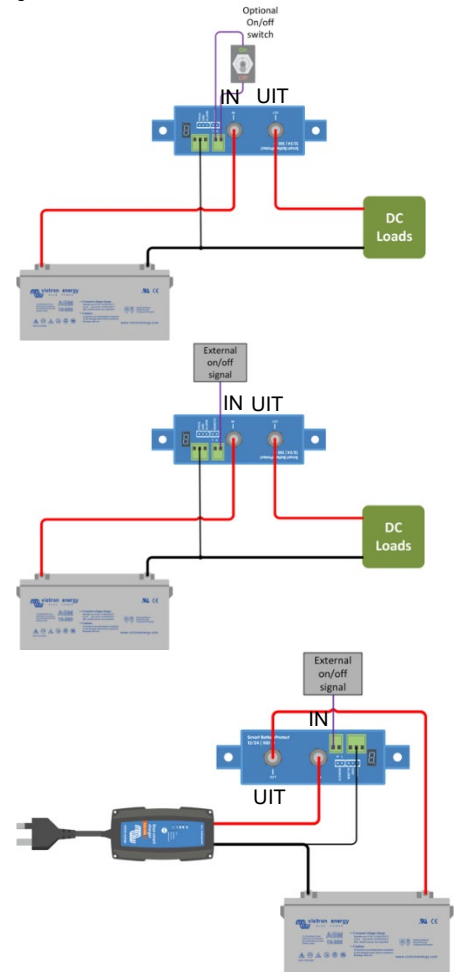
**Opmerking:** Deze apparatuur is getest en voldoet aan de limieten voor een digitaal Klasse B-apparaat, conform deel 15 van de FCC-reglementering. Deze limieten zijn bedoeld om een redelijke bescherming te bieden tegen schadelijke interferentie in een residentiële installatie. Deze apparatuur genereert, gebruikt en kan radiofrequentie-energie uitzenden en kan, indien niet geïnstalleerd en gebruikt in overeenstemming met de instructies, schadelijke interferentie van radiocommunicatie veroorzaken. Er is echter geen garantie dat er in een bepaalde installatie geen interferentie zal plaatsvinden. Als deze apparatuur schadelijke interferentie veroorzaakt voor radio- of televisieontvangst, wat bepaald kan worden door de apparatuur aan en uit te zetten, wordt de gebruiker geadviseerd om te proberen de interferentie te corrigeren door het uitvoeren een of meer van de volgende maatregelen:

- heroriënteer of verplaats de ontvangstantenne
- vergroot de afstand tussen de apparatuur en de ontvanger
- sluit de apparatuur aan op een stopcontact van een ander circuit dan die van de ontvanger
- raadpleeg de dealer of vraag een ervaren radio/tv-technicus om hulp

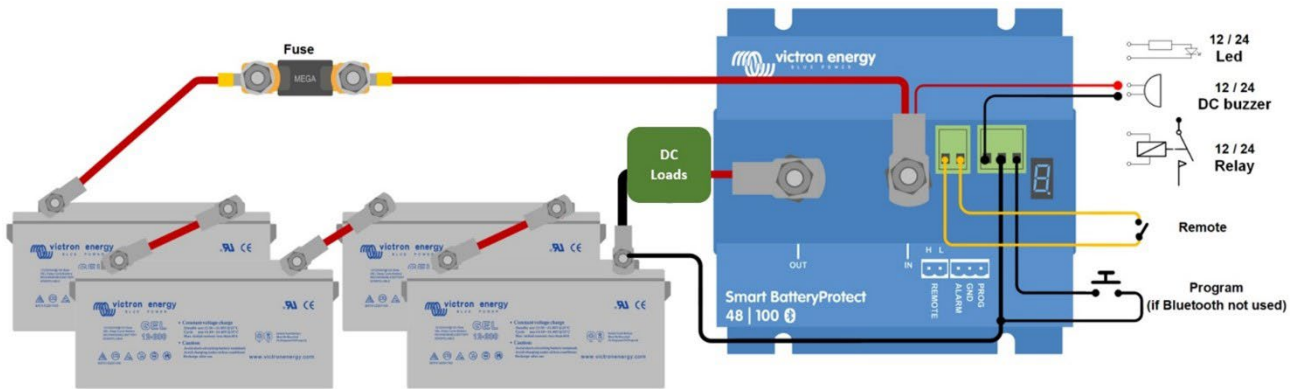
Dit apparaat bevat een zender met FCC-ID: SH6MDBT42Q

**Specificaties**

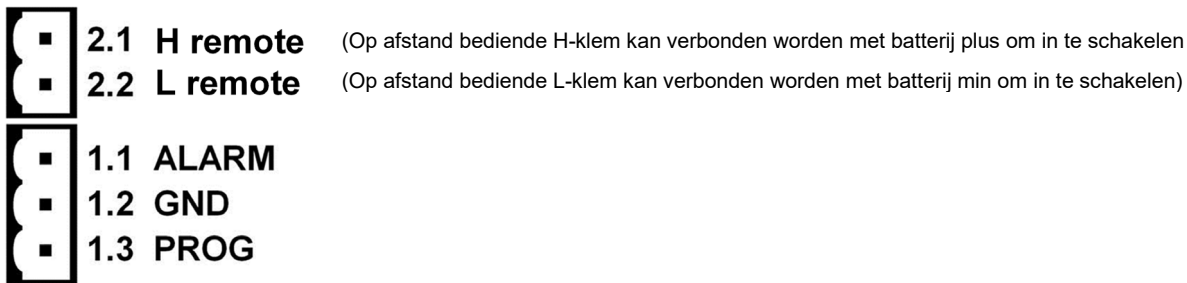
| Smart BatteryProtect                            |         | SBP 48 100  |
|---|---------|---|
| Maximale onafgebroken belastingstroom           |         | 100 A   |
| Piekstroom                                      |         | 250 A   |
| Bedrijfsspanningsbereik                         |         | 24 – 70 V   |
| Stroomverbruik                                  | BLE aan | Wanneer ingeschakeld: 1,9 mA Wanneer uitgeschakeld of bij lage spanning wordt uitgeschakeld: 1,7 mA |
|   | BLE uit | Wanneer ingeschakeld: 1,7 mA Wanneer uitgeschakeld of bij lage spanning wordt uitgeschakeld: 1,6 mA |
| Vertraging alarmuitgang                         |         | 12 seconden   |
| Max. belasting alarmuitgang                     |         | 50 mA (kortsluitvast)   |
| Vertraging bij het ontkoppelen van de belasting |         | 90 seconden (direct wanneer geactiveerd door de VE.Bus BMS)   |
| Standaarddrempels                               |         | Deactiveren: 42 V Activeren: 48 V   |
| Bedrijfstemperatuurbereik                       |         | Volledige belasting: -40 °C tot +40 °C (tot en met 60 % van de nominale belasting bij 50 °C)        |
| Aansluiting                                     |         | M8  |
| Aandraaimoment                                  |         | 9 Nm  |
| Gewicht   |         | 0,8 kg 1,8 lbs  |
| Afmetingen (hxbxd)                              |         | 62 x 123 x 120 mm   |
|   |         | 2,5 x 4,9 x 4,8 inch  |

**Voorbeeld bedragschema's**

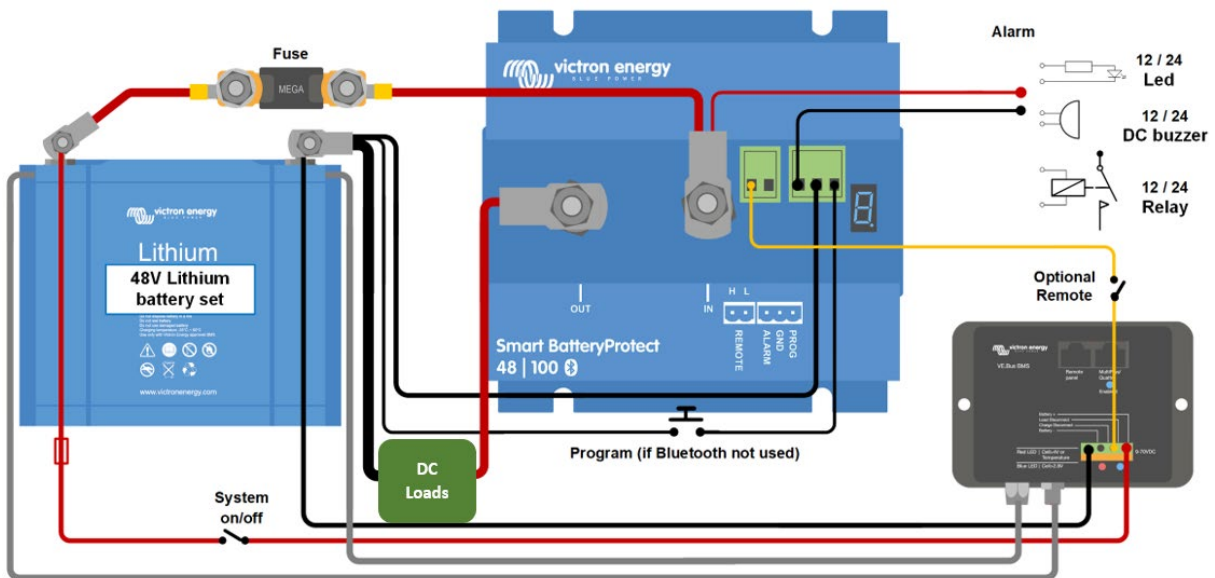




Figuur 1: Verbindingschema van de SBP 48|100  
(gebruik de externe ingang voor de aan/uit-functionaliteit van het systeem)



Figuur 2: Verbindingsdiagrammen en pinnummering

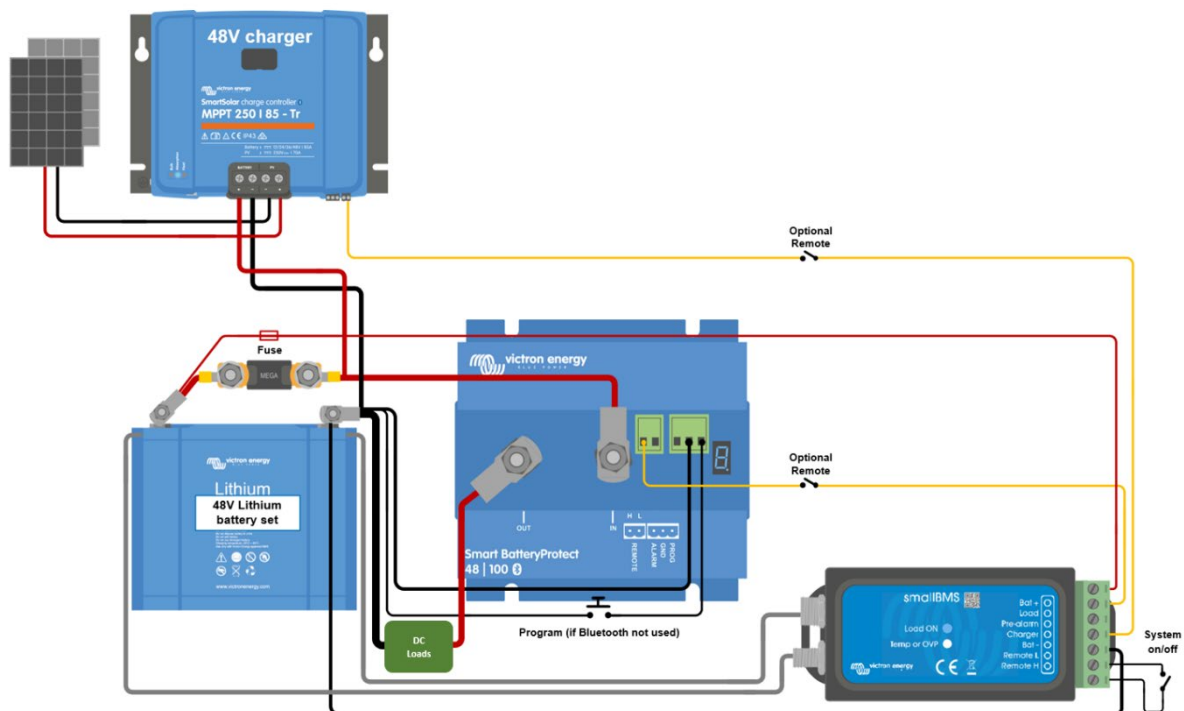


Figuur 3: Systeem met 48 V Li-ion-accuset  
(toepasbaar met VE.Bus BMS of smallBMS)

Opmerking: In Li-ion-modus zal de SBP deactiveren wanneer de H-ingang potentiaalvrij wordt, en blijft uitgeschakeld gedurende 30 seconden, zelfs als het een reactivingssignaal ontvangt binnen die periode. Na 30 seconden zal het onmiddellijk reageren op een reactivingssignaal. Daarom zal er normaal gesproken geen spaken van vertraging zijn als de SBP wordt gebruikt als aan-/uitschakelaar (sluit de aan-/uitschakelaar aan op de positieve invoer van de BMS voor dit doel).

Tevens, als een systeem is uitgeschakeld vanwege de lage celspanning, blijft de SBP gedurende 30 seconden uitgeschakeld, zelfs als het binnen die periode een reactivingssignaal ontvangt (wat zal gebeuren wanneer er geen andere belastingen op de accu zijn aangesloten). Na 3 pogingen om opnieuw in te schakelen, blijft de SBP gedeactiveerd totdat de accu spanning is toegenomen tot boven de 52 V gedurende ten minste 30 seconden (wat een signaal is dat de accu opnieuw wordt opgeladen). De onderspanningsdrempels en de alarmuitgang van de SBP zijn in deze modus inactief.

Om het handmatig opnieuw op te starten, koppelt u de externe aansluitklem kortstondig los en sluit u de aan/uit-aansluitklem weer aan of schakelt u de BMS uit en weer in.



Afbeelding 4: DC-zonne-energiesysteem met Lithium accu (toepasbaar met VE.Bus BMS of SmallBMS)

**Let op:** ongecontroleerde omgekeerde stroom zal door een Smart BatteryProtect lopen als  $V_{uit} > V_{in}$ . Gebruik daarom nooit een Smart BatteryProtect om een accu op te laden.

## BIJLAGE

### Foutmelding/Waarschuwingcodes

#### E0: IJkingsstoring

Interne storing – ijking gegevensstoring/ontbrekend



Dealer contacteren voor ondersteuning – Storing is niet door gebruiker herstelbaar en SBP vereist vervanging

#### E1: Kortsluiting

Bescherming tegen kortsluiting werd geactiveerd in geval van een kortsluiting, een overbelastingstoestand of overmatige toevloedstroom - zoals bij het trachten rechtstreeks een inverter aan te drijven



1. Controleren op een mogelijke kortsluitingstoestand
2. Bevestigen dat de laadstroomdruk de huidige SBP-belasting niet overschrijdt
3. De SBP gebruiken om de op afstand bediende aan/uitschakelaar op ladingen met hoge toevloedstromen te regelen, in plaats van rechtstreeks de DC-toevoer in te schakelen/uit te schakelen
4. Controleren op losse/hoge weerstandsverbindingen en ervoor zorgen dat correcte meetinstrumentbedrading in de installatie gebruikt wordt

#### P2: Waarschuwing overtemperatuur

**Dringende interventie vereist om laadontkoppeling te beletten**

Interne temperatuur dichtbij de limiet. Bescherming tegen overtemperatuur zal geactiveerd worden wanneer de temperatuur blijft stijgen

#### E2: Overtemperatuur

Bescherming tegen overtemperatuur wordt geactiveerd bij overmatige interne temperatuur



1. Bevestigen dat de laadstroomdruk de huidige SBP-belasting niet overschrijdt
2. Controleren op losse/hoge weerstandsverbindingen en ervoor zorgen dat correcte meetinstrumentbedrading in de installatie gebruikt wordt
3. Het SBP-toestel niet installeren op een locatie die blootgesteld is aan hoge temperatuur of stralingswarmte - SBP verplaatsen naar een koelere plaats of bijkomende extra koeling voorzien

#### P3: Waarschuwing onder-voltage

**Dringende interventie vereist om laadontkoppeling te beletten**

Bescherming tegen onder-voltage zal binnen 90 seconden geactiveerd worden wanneer geen actie ondernomen wordt

#### E3: Onder-voltage

Bescherming tegen onder-voltage wordt geactiveerd wanneer het invoervoltage onder de onder-voltagegrens valt, geselecteerd voor 90 seconden



1. Uitschakelen/ontkoppelen ladingen en herladen van de batterij
2. Oplaadsysteem en batterij controleren op correcte werking

#### E4: Over-voltage

Bescherming tegen over-voltage wordt geactiveerd wanneer het invoervoltage 64 V overschrijdt



1. De configuratie bevestigen van alle oplaadtoestellen in het systeem - in het bijzonder instellingen systeemvoltage en oplaadvoltage
2. Oplaadsysteem controleren op correcte werking
3. Bevestigen SBP systeemvoltageconfiguratie is correct

#### E5: Configuratiestoring

Interne storing - configuratie gegevensstoring/ontbrekend



- Om de SBP van deze toestand te herstellen;
1. Het toestel resetten naar fabrieksstandaarden onder - Instellingen > Meer opties > Resetten naar standaard
2. Alle stroom uitschakelen en 3 minuten wachten alvorens opnieuw verbinding te maken
3. Het toestel zoals vereist opnieuw configureren

#### E6: Storing referentievoltage

Interne storing - referentievoltage storing/ontbrekend



Dealer contacteren voor ondersteuning – Storing is niet door gebruiker herstelbaar en SBP vereist vervanging

#### E7: BMS-blokkering

Bescherming tegen BMS-blokkering wordt geactiveerd wanneer de externe BMS de SBP verzoekt om achtereenvolgens te ontkoppelen en dan 3-maal opnieuw aan te koppelen (kenmerkend gedrag tijdens een uitschakeling vanwege laag celvoltage)

Eens E7 geactiveerd werd, zal de SBP ontkoppeld blijven tot het invoervoltage 52 V overschrijdt



1. BMS foutcodes/-log controleren om de oorzaak van uitschakeling te identificeren en het probleem te herstellen
2. Ladingen uitschakelen/ontkoppelen en de batterij herladen
3. Bedrading controleren tussen BMS en SBP op afstand bediende klem
4. BMS controleren op correcte werking

#### E8: Tegenstroom

Bescherming tegen tegenstroom wordt geactiveerd wanneer tegenstroom ontdekt wordt

**OPGELET: SBP werd ontworpen om de stroom ENKEL van IN- naar UIT-klemmen toe te staan of te beletten. Tegenstroom is strikt verboden en kan permanent de SBP beschadigen.**



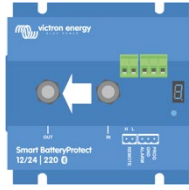
1. Controleren dat de SBP-installatieoriëntatie correct is - stroom moet van IN naar UIT gaan (refereer naar het voorbeeld van bedradingsdiagrammen)
2. Bevestigen dat geen oplaadbronnen onoplettend verbonden worden met SBP UIT klem/circuit
3. Wanneer de SBP gebruikt wordt om een oplaadbron te ontkoppelen, bevestigen dat geen ladingen onoplettend verbonden worden met SBP IN klem/circuit



**Smart BatteryProtect 48/100**  
**FRANÇAIS**

**Installation**

- Le Smart BatteryProtect (SBP) doit être installé dans un local bien aéré et à proximité de la batterie (50 cm au maximum, mais jamais au-dessus de la batterie en raison des risques d'émanation de gaz corrosifs !). **Une chute de tension sur un câble long ou sous-dimensionné entre le pôle positif de la batterie et le SBP peut déclencher une alarme de court-circuit ou de démarrage de la charge, ou entraîner l'arrêt inopiné du SBP.**
- Un fusible de la bonne taille doit être inséré, conformément à la réglementation en vigueur, dans le câble entre la batterie et le SBP.
- Le SBP est conçu pour permettre au courant de circuler uniquement des bornes IN (batterie) à OUT (charge). Les courants inversés des bornes OUT à IN sont strictement interdits et endommageraient l'appareil. Si vous souhaitez utiliser le SBP en tant que déconnexion d'une source de charge, vous devez orienter l'unité dans le système de sorte que le courant circule dans la direction voulue, de IN à OUT.
- La protection contre les courts-circuits du SBP s'activera si vous essayez de connecter directement des charges avec des condensateurs sur leur entrée (par exemple, des onduleurs). Pour ce cas d'utilisation, utilisez le SBP pour contrôler l'interrupteur marche/arrêt à distance de l'onduleur, au lieu de déconnecter la ligne CC de puissance supérieure.
- Utilisez un fil de 1,5 mm<sup>2</sup> (inclus) pour la connexion à la terre, qui doit être raccordée directement au pôle négatif de la batterie (ou au châssis d'un véhicule) Aucun autre équipement ne doit être raccordé à ce fil.
- Le SBP détecte automatiquement la tension du système **une fois seulement**, lors de l'allumage initial. Durant la détection de la tension, l'écran à 7 segments affiche une série de clignotements entre la partie du haut et celle du bas.
- Ne connectez pas la sortie de la charge tant que le SBP n'a pas été entièrement programmé.
- Un interrupteur marche/arrêt à distance peut être connecté entre la borne H à distance et la borne L à distance (voir l'illustration 1). Il est également possible de commuter la borne H sur élevé (sur la borne positive de la batterie) ou la borne L sur bas (sur la borne négative).
- Un buzzer, un voyant LED ou un relais peut être connecté entre la borne de la sortie d'alarme et le pôle positif de la batterie (voir illustration 1). Charge maximale sur la sortie de l'alarme : 50 mA (protection contre les courts-circuits).



**Évènements de déconnexion de charge et options de sortie de l'alarme**

- Mode Buzzer ou LED (buzzer ou LED connecté à la sortie de l'alarme) :
- En cas de sous-tension, une alarme continue démarrera après 12 secondes. Le SBP déconnectera la charge après 90 secondes et l'alarme s'arrêtera. Délai de reconnexion : 30 secondes.
  - En cas de surtension, la charge sera immédiatement déconnectée et une alarme intermittente sera active tant que le problème de surtension n'aura pas été réglé. Il n'y a aucun délai de reconnexion.
- Mode Relais (relais connecté à la sortie de l'alarme) :
- En cas de sous-tension, le relais s'enclenche après 12 secondes. Le SBP déconnectera la charge après 90 secondes et le relais se désenclenche.
  - En cas de surtension, la charge sera immédiatement déconnectée et la sortie de l'alarme restera inactive. Niveau de déclenchement en cas de surtension : 65,2 V
- Mode Lithium-ion :
- Connectez la sortie de déconnexion de la charge du BMS du VE.Bus à la borne H à distance. La charge est immédiatement déconnectée lorsque la sortie de déconnexion de la charge du BMS du VE.Bus passe de « élevée » à « flottante » (car la cellule de la batterie est en sous-tension, surtension ou surchauffe). Les seuils de sous-tension et la sortie de l'alarme du SBP sont inactifs sous ce mode.

**Fonctionnement**

Il y a 9 modes d'erreur et 2 modes d'avertissement possibles, indiqués par l'écran à 7 segments, et dans l'application VictronConnect lorsque vous utilisez un smartphone ou une tablette avec l'option Bluetooth activée :

- E1 Court-circuit détecté
- E2 Surcharge ou surchauffe / P2 avertissement de surchauffe
- E3 Sous-tension / P3 avertissement de sous-tension
- E4 Surtension
- E5 Échec des paramètres
- E6 Échec de la tension de référence
- E7 Blocage du BMS

Après 5 minutes, l'erreur ne s'affiche plus afin de réduire la consommation de courant. Veuillez consulter l'Annexe pour davantage de renseignements sur chaque erreur.

Le point décimal de l'écran à 7 segments est utilisé pour l'indication du statut :

- S'il est fixe : le SBP essaie d'activer la sortie.
- S'il clignote toutes les 5 secondes : la sortie est active.
- S'il clignote à intervalles de 2 secondes en mode lithium-ion : la sortie est en cours de connexion

**Contrôle à distance et court-circuit**

- Le SBP connectera la charge 1 seconde après la fermeture du contact à distance.
- Le SBP déconnectera la charge immédiatement si le contact à distance est ouvert.
- En mode Lithium-ion, le SBP respectera un temps mort de 30 secondes après que l'entrée à distance du SBP soit devenue flottante. Voir la note sous l'illustration 4 pour une description détaillée.
- En cas de court-circuit, le SBP essaiera de connecter la charge toutes les 5 secondes. Après deux essais, l'écran affichera E1 (court-circuit détecté).

**Programmation en cours**

Lorsqu'il est éteint (ouvert à distance) Le SBP peut être programmé en connectant la broche PROG à la terre. Sinon, vous pouvez les programmer avec un smartphone ou une tablette ayant la fonction Bluetooth activée ou en utilisant VictronConnect.

L'écran à 7 segments fera défiler les tensions d'arrêt et de démarrage. Déconnectez la broche PROG lorsque la tension souhaitée s'affiche.

L'écran confirmera la tension et le mode par défaut (R) choisis deux fois.

Connectez à nouveau la broche PROG à la terre si un autre mode (b ou C) est nécessaire. Déconnectez lorsque le mode requis s'affiche.

L'écran confirmera la tension et le mode choisis deux fois.

Ce PIN peut être réinitialisé en sélectionnant l'option **P**. **L'information de couplage doit être supprimé après avoir sélectionné cette option.** Le Bluetooth peut être désactivé et réactivé avec l'application VictronConnect ou en sélectionnant **F** (activé) ou **h** (désactivé). Voir le tableau ci-dessous :

**Tableau de programmation**

| Écran à 7 segments | Arrêt en cas de sous-tension Système 48 V,             | Redémarrage en cas de sous-tension Système 48 V, |
|--------------------|--|--|
| 0                  | 42 V   | 48 V   |
| 1                  | 40 V   | 46 V   |
| 2                  | 38 V   | 46 V   |
| 3                  | 45 V   | 53 V   |
| 4                  | 46 V   | 55,2 V   |
| 5                  | 42 V   | 51,2 V   |
| 6                  | 46 V   | 51,2 V   |
| 7                  | 47,2 V   | 51,2 V   |
| 8                  | 48 V   | 52 V   |
| 9                  | 40 V   | 52,8 V   |
| -                  | Paramètres définis par l'utilisateur avec le Bluetooth |  |
| R                  | Mode Buzzer ou LED                                     |  |
| b                  | Mode Relais  |  |
| C                  | Mode Lithium-ion                                       |  |
| F                  | Bluetooth activé                                       |  |
| h                  | Bluetooth désactivé                                    |  |
| P                  | Réinitialisation du code PIN                           |  |

Cet appareil répond aux critères de la section 15 de la réglementation de la FCC.

Son fonctionnement est soumis aux deux conditions suivantes :

- (1) cet appareil ne doit pas produire d'interférences nuisibles, et
- (2) cet appareil doit accepter toute interférence reçue, y compris les interférences susceptibles de provoquer un fonctionnement indésirable.

**Avertissement (partie 15.21)**

Tout changement ou modification non expressément approuvé par la partie responsable de la conformité pourrait annuler l'autorisation accordée à l'utilisateur d'utiliser cet appareil.

**Informations destinées à l'utilisateur (partie 15.105b)**

*Remarque :* cet équipement a été testé et classé dans la catégorie pour un appareil numérique de classe B en accord avec la section 15 de la réglementation de la FCC. Ces limites sont conçues pour fournir une protection raisonnable contre les interférences nuisibles dans une installation résidentielle. Cet équipement génère, utilise et peut émettre de l'énergie de radiofréquence et, s'il n'est pas installé et utilisé conformément aux instructions, il peut causer des interférences nuisibles aux communications radio. Cependant, rien ne garantit que des interférences ne se produiront pas dans une installation particulière. Si cet équipement cause des interférences nuisibles à la réception de la radio ou de la télévision, ce qui peut être déterminé en allumant et en éteignant l'équipement, l'utilisateur est encouragé à essayer de corriger ces interférences en prenant l'une ou plusieurs des mesures suivantes :

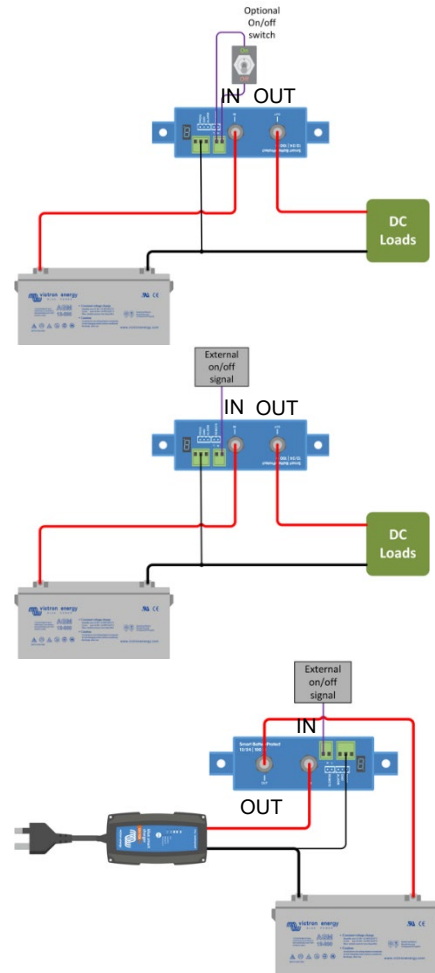
- réorienter ou déplacer l'antenne de réception ;
- augmenter la distance entre l'équipement et le récepteur ;
- brancher l'appareil à une prise électrique qui se trouve sur un circuit autre que celui auquel le récepteur est branché ;
- consulter le revendeur ou un technicien radio/TV expérimenté pour obtenir de l'aide.

Cet appareil contient un émetteur avec l'identifiant FCC : SH6MDBT42Q

**Caractéristiques**

| Smart BatteryProtect                   | SBP 48 100  |  |
|--|---|--|
| Courant de charge continu maximal      | 100 A   |  |
| Puissance de pointe                    | 250 A   |  |
| Plage de tension d'exploitation        | 24 – 70 V   |  |
| Consommation de courant                | Fonction BLE activée  | Si allumé : 1,9 mA   |
|  | Fonction BLE désactivée   | Si éteint ou si arrêté en cas de tension faible : 1,7 mA<br>Si allumé : 1,7 mA<br>Si éteint ou si arrêté en cas de tension faible : 1,6 mA |
| Délai de sortie de l'alarme            | 12 secondes   |  |
| Charge maximale sur sortie de l'alarme | 50 mA (protection contre les courts-circuits)   |  |
| Délai de déconnexion de charge         | 90 secondes (immédiate si le déclenchement se fait pas le BMS du VE.Bus)              |  |
| Seuils par défaut                      | Désenclencher : 42 V Enclencher : 48 V  |  |
| Plage de température d'exploitation    | Pleine charge : Entre - 40 °C et + 40 °C (jusqu'à 60 % de la charge nominale à 50 °C) |  |
| Connexion                              | M8  |  |
| Couple de montage                      | 9 Nm  |  |
| Poids                                  | 0,8 kg 1,8 livres   |  |
| Dimensions (H x L x P)                 | 62 x 123 x 120 mm<br>2,5 x 4,9 x 4,8 pouces   |  |

**Exemples de schémas de câblage**



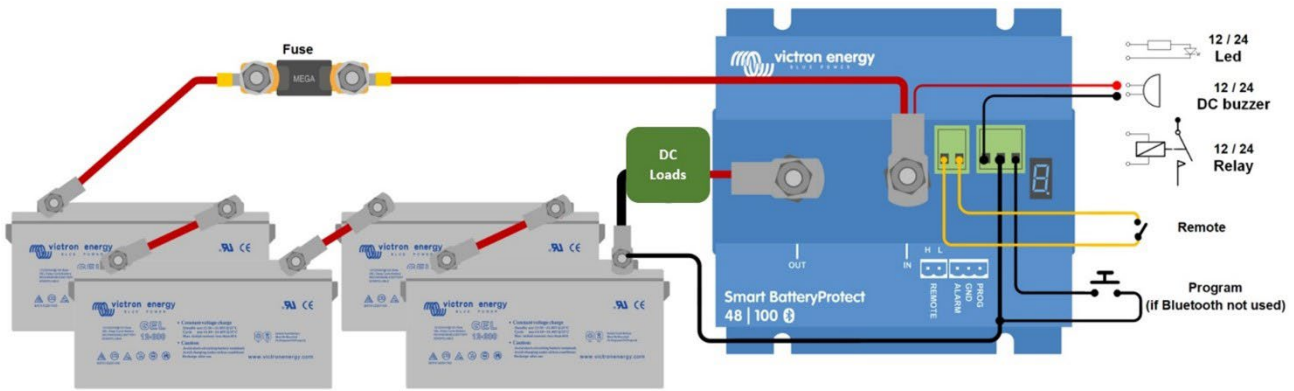


Illustration 1 : schéma de connexion du SBP 48|100 (utilisez l'entrée à distance pour la fonctionnalité on/off du système)

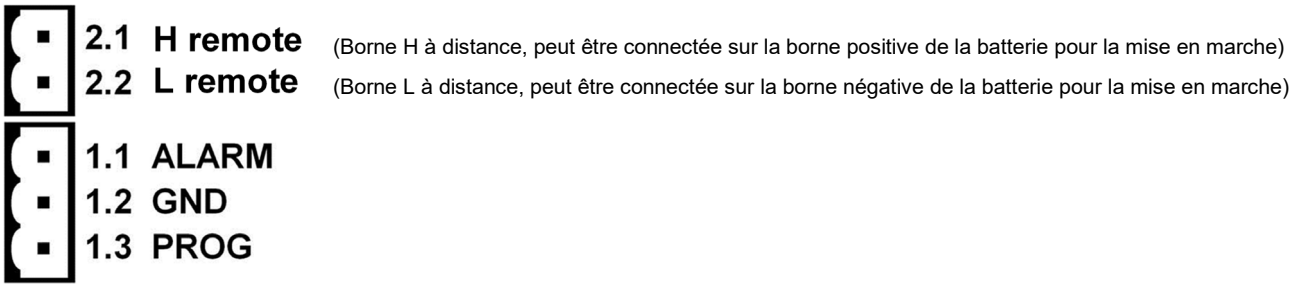


Illustration 2 : Schémas de connexion et numérotation des broches

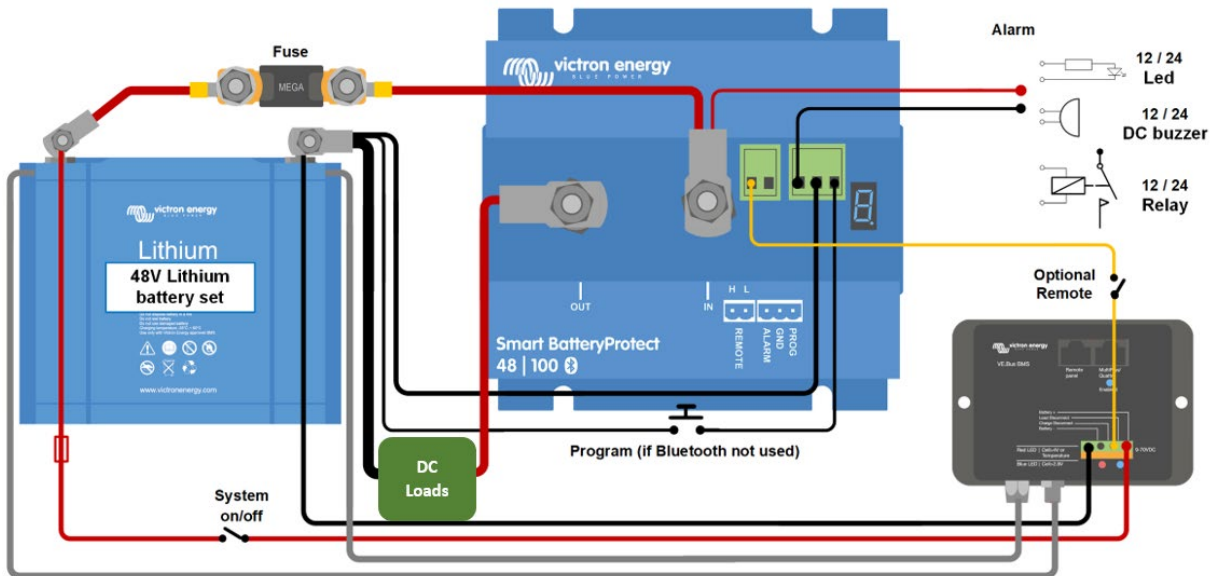


Illustration 3 : Système avec batterie Li-ion de 48 V (applicable au BMS VE.Bus ou smallBMS)

Remarque : En mode Li-ion, le SBP se désactivera lorsque l'entrée H deviendra flottante, et restera inactif pendant 30 secondes, même s'il reçoit un signal de réactivation pendant ce délai. Après 30 secondes, il répondra automatiquement à un signal de réactivation. Par conséquent, il n'y aura normalement pas de temps d'attente si le SBP est utilisé comme interrupteur marche/arrêt du système (à cette fin, branchez l'interrupteur marche/arrêt du système dans l'alimentation positive du BMS). De même, si un système s'arrête en raison d'une basse tension de la cellule, le SBP restera désactivé pendant 30 secondes même s'il reçoit un signal de réactivation pendant ce délai (ce qui se produira si aucune autre charge n'est connectée à la batterie). Après 3 essais de réactivation, le SBP restera désactivé jusqu'à ce que la tension de la batterie soit supérieure à 52 V pendant au moins 30 secondes (ce qui signifie que la batterie est en cours de charge). Les seuils de sous-tension et la sortie de l'alarme du SBP sont inactifs sous ce mode. Pour le redémarrer manuellement, débranchez un instant la borne marche/arrêt à distance puis reconnectez-la ou éteignez et rallumez le BMS.

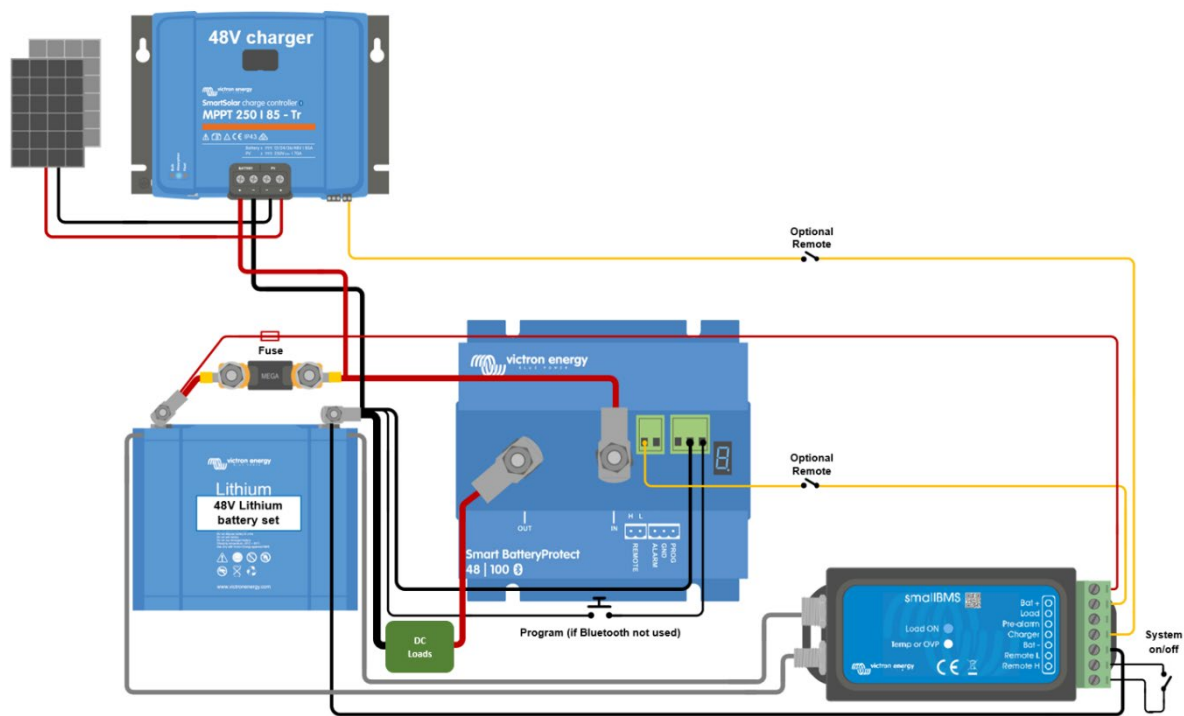


Illustration 4 : Système solaire CC avec batterie au lithium (applicable au BMS VE.Bus ou smallBMS)

**Attention :** un courant inverse non contrôlé circulera à travers un Smart BatteryProtect si  $V_{out} > V_{in}$ . Par conséquent, vous ne devez jamais utiliser un Smart BatteryProtect pour une recharge de batterie à batterie.

## ANNEXE

### Codes d'erreur/avertissement

#### E0 : Défaillance d'étalonnage

Fonctionnement interne incorrect – Données d'étalonnage erronées/manquantes



Contactez le revendeur pour de l'assistance – Le défaut ne peut pas être corrigé par l'utilisateur, et le SBP doit être remplacé

#### E1 : Court-circuit

La protection contre les courts-circuits s'active en cas de court-circuit, de surchauffe ou d'excès de courant d'appel – comme par exemple lorsqu'on essaye d'alimenter directement un convertisseur



1. Vérifiez que le système ne se trouve pas en état de court-circuit
2. Confirmez que le courant extrait par la charge ne dépasse pas la valeur nominale du courant du SBP
3. Utilisez le SBP pour contrôler l'allumage/arrêt à distance sur les charges avec des courants d'appel élevés, plutôt que pour allumer/débrancher directement l'alimentation CC
4. Vérifiez que les connexions de haute résistance ne soient pas trop desserrées, et assurez-vous que l'on utilise le diamètre correct du câblage dans l'installation

#### P2 : Avertissement de surchauffe

**Intervention urgente nécessaire pour éviter des déconnexions de la charge**

Température interne proche de la limite. La protection contre la surchauffe s'activera si la température continue d'augmenter.

#### E2 : Surchauffe

La protection contre la surchauffe s'active en cas de température interne excessive



1. Confirmez que le courant extrait par la charge ne dépasse pas la valeur nominale du SBP
2. Vérifiez que les connexions de haute résistance ne soient pas trop desserrées, et assurez-vous que l'on utilise le diamètre correct du câblage dans l'installation
3. Ne pas installer l'unité SBP dans un endroit exposé à des températures élevées ou à une chaleur rayonnante – Réinstallez le SBP dans un endroit plus frais, ou installez une unité de refroidissement active supplémentaire

#### P3 : Avertissement de sous-tension

**Intervention urgente nécessaire pour éviter des déconnexions de la charge**

La protection contre la sous-tension s'activera au bout de 90 secondes si aucune intervention n'est effectuée

#### E3 : Sous-tension

La protection contre les sous-tensions s'active lorsque la tension d'entrée chute en dessous de la limite de sous-tension choisie pendant 90 secondes



1. Éteignez/déconnectez des charges et rechargez la batterie
2. Vérifier que le système de charge et la batterie fonctionnent correctement

#### E4 : Surtension

La protection contre les surtensions s'active lorsque la tension d'entrée dépasse 64 V



1. Confirmez la configuration de tous les dispositifs de charge au sein du système – en particulier les paramètres de tension de charge et de tension du système
2. Vérifiez que le système de charge fonctionne correctement
3. Confirmez que la configuration de la tension du système SBP est correcte

#### E5 : Défaut de configuration

Fonctionnement interne incorrect – Données de configuration incorrectes/manquantes



- Pour supprimer cette condition dans le SBP ;
1. Réinitialisez l'unité aux paramètres par défaut dans - Paramètres > Plus d'options > Réinitialiser aux paramètres par défaut
  2. Débranchez toutes les alimentations et attendez 3 minutes avant de les rebrancher
  3. Reconfigurez l'unité tel que requis

#### E6 : Erreur de tension de référence

Fonctionnement interne incorrect – Tension de référence incorrecte/manquante



Contactez le revendeur pour de l'assistance – Le défaut ne peut pas être corrigé par l'utilisateur, et le SBP doit être remplacé

#### E7 : Verrouillage du BMS

La protection de verrouillage du BMS s'activera si le BMS externe demande au SBP de se déconnecter puis de se reconnecter 3 fois de suite (comportement typique durant un arrêt dû à une tension trop faible sur une cellule)

Dès que l'avertissement E7 est activé, le SBP restera déconnecté jusqu'à ce que la tension d'entrée dépasse 52 V



1. Vérifiez le journal/les codes d'erreur du BMS pour identifier la cause de l'arrêt et rectifiez le problème
2. Éteignez/déconnectez les charges et rechargez la batterie
3. Vérifiez le câblage entre le BMS et la borne à distance du SBP
4. Vérifier que le BMS fonctionne correctement

#### E8 : Courant inversé

La protection contre le courant inversé s'active si un flux de courant inversé est détecté

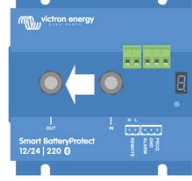
**MISE EN GARDE : Le SBP est conçu pour permettre ou éviter que le courant ne passe des bornes IN aux bornes OUT UNIQUEMENT. Le flux de courant inversé est strictement interdit, et il peut endommager le SBP de façon permanente.**



1. Vérifiez que le sens de l'installation du SBP est correct – le flux de courant doit aller de IN à OUT (consultez les diagrammes de câblage de référence)
2. Assurez-vous qu'aucune source de charge n'est connectée par inadvertance au circuit/à la borne OUT du SBP
3. Si le SBP est utilisé pour déconnecter une source de charge, confirmez qu'aucune charge n'est connectée par inadvertance au circuit/à la borne OUT du SBP

**Smart BatteryProtect 48/100**  
 SVENSKA
**Installation**

- Smart BatteryProtect (SBP) måste installeras i en välventilerad omgivning och helst nära (max. 50 cm ifrån) batteriet (dock inte ovanpå batteriet på grund av frätande gaser!). **Spänningsfall på grund av en lång eller för liten kabel mellan batteriets pluspol och batteriskyddet kan ge upphov till ett kortslutningslarm vid uppstart av belastningen eller till oönskade driftstopp.**
- Enligt lokala föreskrifter måste en säkring av passande storlek sättas in i kabein mellan batteriet och batteriskyddet.
- SBP är utformad för att endast tillåta att ström flyter från IN- (batteri) till UT- (belastning) terminalerna. Backströmmar från UT- till IN-terminalerna är strikt förbjudet och kommer att skada enheten. Om du vill använda SBP för fränkoppling från en laddningskälla måste du styra systemet så att strömmen flyter i rätt riktning, från IN till UT.
- Kortslutningskyddet på SBP kommer att aktiveras om du försöker att direkt koppla belastningar med kondensatorer på deras ingångar (t.ex. växelriktare). För detta ändamål, använd SBP för att styra växelriktarens av/på-brytare istället för att koppla ifrån högspänningsledningen för direktström.
- Använd en 1,5 mm<sup>2</sup> kabel (ingår) till GND-kopplingen och koppla den direkt till batteriets negativa pol (eller ett fordonsschassi). Ingen annan utrustning får kopplas till denna kabel.
- SBP känner automatiskt av systemspänningen **en enda gång** under uppstarten. Under spänningsdetekteringen kommer den 7-segmentella displayen att visa en rad olika blinkande ljus mellan den övre och nedre delen.
- Koppla inte på utgångsbelastningen innan batteriskyddet har programmerats färdigt.
- En fjärrbrytare för av/på kan kopplas mellan Fjärr H och Fjärr L (se figur 1). Alternativt kan terminal H växlas upp till batteriets positiva pol, eller terminal L växlas ner till batteriets negativa.
- En summer, en LED eller ett relä kan kopplas mellan larmutgången och batteriets positiva pol (se bild 1). Maximal belastning på larmutgången: 50 mA (kortslutningsssäkrad).

**Belastningsfränkopplingar och larmalternativ**

Summer eller LED-läge (summer eller LED kopplade till larmutgången):

- Vid underspänning kommer ett kontinuerligt larm att startas efter 12 sekunder. Batteriskyddet kommer att koppla bort belastningen efter 90 sekunder och larmet kommer att upphöra. Fördrojning vid återanslutning: 30 sekunder
- Vid överspänning kommer belastningen att kopplas bort omedelbart och ett intermitterande larm kommer att fortsätta tills överspänningsproblemet har blivit åtgärdat. Det förekommer ingen fördrojning vid återanslutning.

Reläläge (relä kopplat till larmutgången):

- Vid underspänning kommer reläet att aktiveras efter 12 sekunder. Batteriskyddet kommer att koppla bort belastningen efter 90 sekunder och reläet kommer att avaktiveras.
- Vid överspänning kommer belastningen att kopplas bort omedelbart och larmutgången kommer att förbli inaktiv. Utlösningströskel vid överspänning: 65,2 V

Litiumjonläge:

- Koppla VE.Bus BMS:S utgång för belastningsfränkoppling till fjärrterminal H. Belastningen kopplas bort omedelbart när utgången för belastningsfränkoppling på VE.Bus BMS växlar från "hög" till "fritt flytande" (på grund av underspänning, överspänning eller övertemperatur i battericellerna). Batteriskyddets underspänningströskel och larmutgång är inaktiva i detta läge.

**Drift**

Det finns 9 möjliga fellägen och 2 varningslägen, som indikeras av den 7-segmentella displayen och i VictronConnect om du använder en smarttelefon eller surfplatta med Bluetooth:

- E1 Kortslutning detekterad
- E2 Överbelastning eller övertemperatur / P2 varning övertemperatur
- E3 Underspänning / P3 varning underspänning
- E4 Överspänning
- E5 Inställningsfel
- E6 Fel referensspänning
- E7 BMS Spärr

Efter 5 minuter visas inte felmeddelandet längre för att minska strömförbrukningen.

Hänvisning till bilagan för mer information om varje fel.

Decimalkommat i den 7-segmentella displayen används för att ange status:

- Kontinuerligt: Batteriskyddet försöker aktivera utgången
- Blinkar var 5:e sekund: utgången är aktiv
- Blinkar var 2 sekund i litiumjonläge: utgången "kopplas till"

Fjärrstyrning och kortslutning

- Batteriskyddet kopplar på belastningen en sekund efter att fjärrkontakten har stängts.
- Batteriskyddet kommer att koppla bort belastningen omedelbart när fjärrkontakten öppnas.
- I litiumjonläge uppstår en död period på 30 sekunder efter att fjärringången på SBP har blivit fritt flytande. Se anmärkningarna under bild 4 för en detaljerad beskrivning.
- Vid kortslutning kommer SBP att försöka koppla på belastningen var 5:e sekund. Efter två försök kommer displayen att visa E1 (kortslutning detekterad).

**Programmering**

När den är avstängd (fjärr öppen) kan SBP programmeras genom att koppla PROG-stiftet till jord. Den kan alternativt programmeras med en smarttelefon eller surfplatta med Bluetooth genom att använda VictronConnect.

Den 7-segmentella displayen kommer först att gå igenom spänningsvärdena för avstängning och omstart. Koppla ifrån PROG- stiftet när önskad spänning visas.

Displayen kommer att bekräfta den valda spänningen och standardläget (F) två gånger.

Koppla PROG till jord om ett annat läge (b eller C) krävs. Koppla ifrån när önskat läge visas.

Displayen kommer att bekräfta den valda spänningen och valt läge två gånger.

PIN-koden kan återställas genom att välja alternativ P: **Den länkade informationen måste tas bort efter att detta alternativ har valts.** Bluetooth kan aktiveras/inaktiveras med appen VictronConnect eller genom att välja F (aktivera) eller h (inaktivera). Se tabell nedan:

**Programmeringstabell**

| 7-segmentell display | Underspänning avstängning<br>48 V-system,    | Underspänning omstart<br>48 V-system, |
|----------------------|--|---------------------------------------|
| 0                    | 42 V   | 48 V                                  |
| 1                    | 40 V   | 46 V                                  |
| 2                    | 38 V   | 46 V                                  |
| 3                    | 45 V   | 53 V                                  |
| 4                    | 46 V   | 55,2 V                                |
| 5                    | 42 V   | 51,2 V                                |
| 6                    | 46 V   | 51,2 V                                |
| 7                    | 47,2 V                                       | 51,2 V                                |
| 8                    | 48 V   | 52 V                                  |
| 9                    | 40 V   | 52,8 V                                |
| -                    | Användarbestämda inställningar med Bluetooth |                                       |
| F                    | Summer eller LED-läge                        |                                       |
| b                    | Reläläge                                     |                                       |
| C                    | Litiumjonläge:                               |                                       |
| F                    | Bluetooth aktivera                           |                                       |
| h                    | Bluetooth avaktivera                         |                                       |
| P                    | Återställning av pinkod                      |                                       |

Denna enhet uppfyller del 15 i FCC-reglementet.

Följande villkor gäller för användningen:

- denna enhet får inte orsaka skadlig störning och
- denna enhet måste acceptera eventuella störningar, inklusive störningar som kan leda till oönskad drift.

**Varning (del 15.21)**

Ändringar eller modifieringar som inte uttryckligen godkänns av den tillverkare som är ansvarig för produktöverensstämmelserna kan innebära att användaren inte längre får använda apparaten.

**Information till användaren (del 15.105b)**

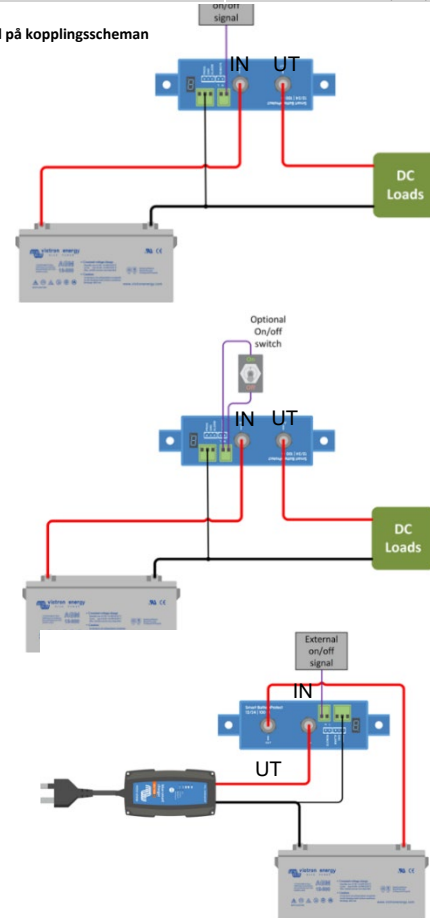
Obs: Apparaten har testats och funnits överensstämma med gränsvärdena för en digital enhet i klass B, enligt del 15 av FCC-reglementet. De här gränsvärdena har utformats för att tillhandahålla skäligt skydd mot skadlig störning i hemmiljö. Denna utrustning genererar, använder och kan sända ut radiofrekvensenergi. Om den inte installeras och används i enlighet med anvisningarna kan den orsaka störningar på radiokommunikationer. Det finns emellertid ingen garanti för att störningar inte inträffar i en viss installation. Om utrustningen orsakar skadliga störningar på radio- eller TV-mottagningen, vilket kan påvisas genom att stänga av och sedan sätta på utrustningen igen, uppmanas användaren att försöka korrigera störningen genom att vidta en eller flera av följande åtgärder:

- Rikta om eller flytta mottagarantennen.
- Öka avståndet mellan utrustningen och mottagaren.
- Ansluta utrustningen till ett annat vägguttag eller en annan strömkrets än den som mottagaren är ansluten till.
- Rådgröa med återförsäljaren eller en erfaren radio- eller TV-tekniker för att få hjälp.

Den här enheten innehåller en sändare med FCC-id: SH6MDBT42Q

**Specifikationer**

| Smart BatteryProtect                   |        | SBP 48 100   |
|--|--------|--|
| Maximal kontinuerlig belastningsström  |        | 100 A  |
| Toppstöm                               |        | 250 A  |
| Driftspänningsintervall                |        | 24 - 70 V  |
| Strömförbrukning                       | BLE på | Påslagen: 1,9 mA<br>Avstängd eller vid driftstopp på grund av låg spänning: 1,7 mA   |
|  | BLE Av | Påslagen: 1,7 mA<br>Avstängd eller vid driftstopp på grund av låg spänning: 1,6 mA   |
| Larmfördrojning                        |        | 12 sekunder  |
| Maximal belastning vid larmutgång      |        | 50 mA (kortslutningsssäkrad)   |
| Fördrojning av belastningsfränkoppling |        | 90 sekunder (omedelbar bortkoppling om det utlöses av VE.Bus BMS)                    |
| Standardtrösklar                       |        | Urkoppling: 42 V tillkoppling: 48 V  |
| Drifttemperaturintervall               |        | Full belastning: -40 °C till +40 °C (upp till 60 % av nominell belastning vid 50 °C) |
| Anslutning                             |        | M8   |
| Vridmoment vid montering               |        | 9 Nm   |
| Vikt                                   |        | 0,8 kg 1,8 pund  |
| Dimensioner (h x b x d)                |        | 62 x 123 x 120 mm<br>2,5 x 4,9 x 4,8 tum   |

**Exempel på kopplingscheman**



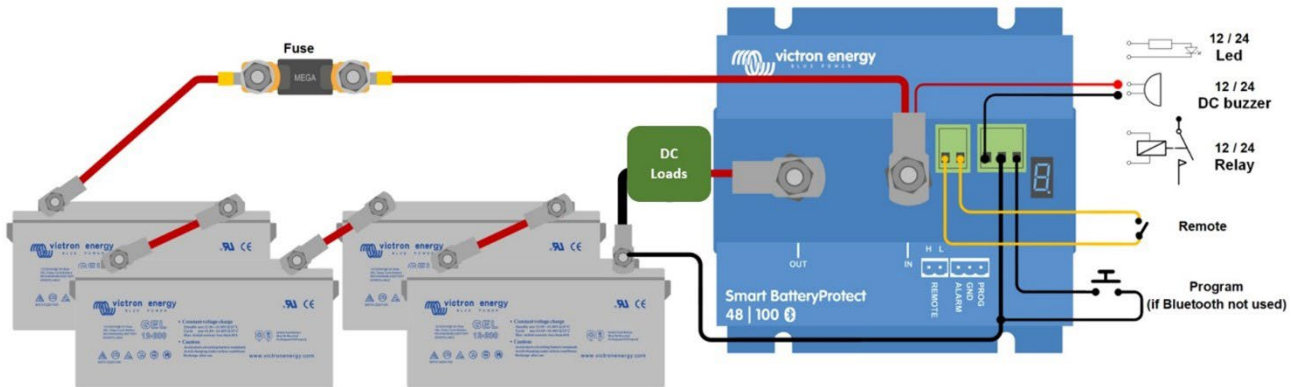


Bild 1 Kopplingschema för SBP 48|100  
(använd fjärringången för systemets av/på-funktion)

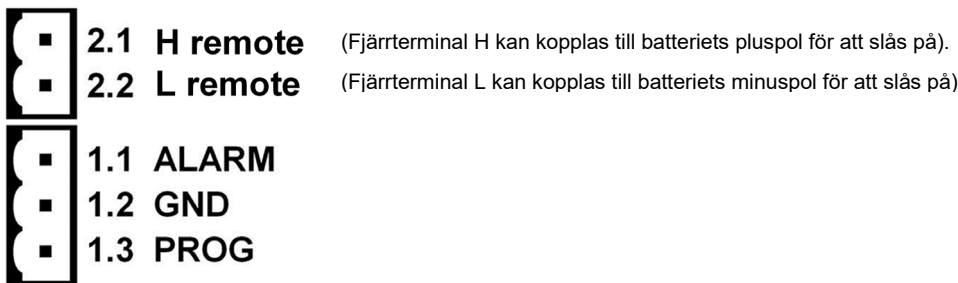


Bild 2: Kopplingscheman och stiftnumrering

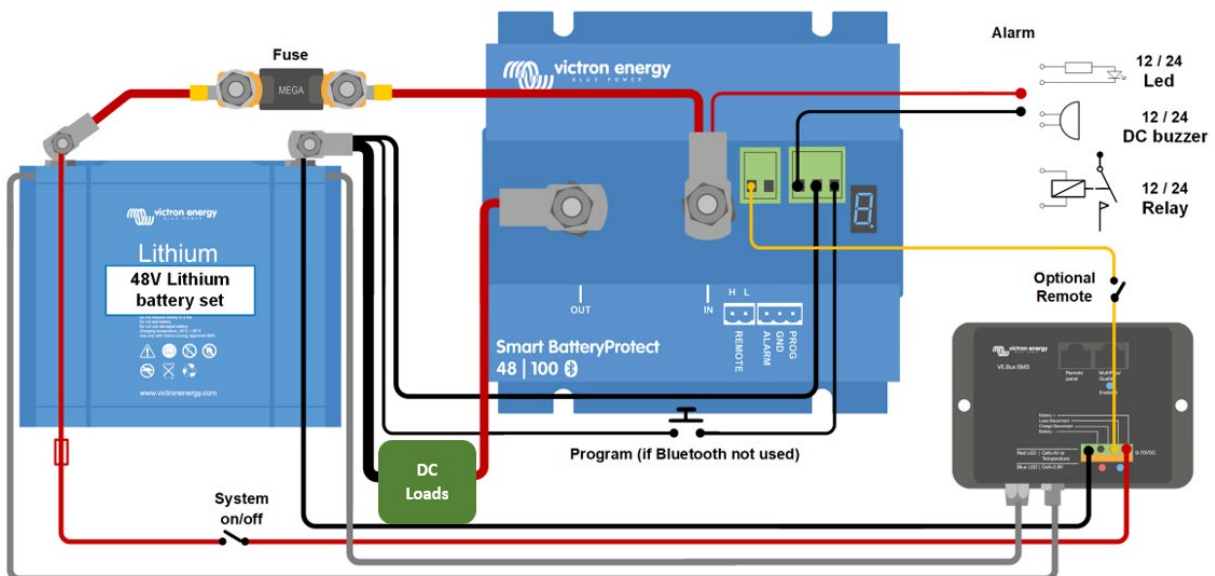


Bild 3: System med 48 V litiumjonbatteri (tillämpligt med Ve.Bus BMS eller smallBMS)

OBS: När den är i litiumjonläge kommer SBP att koppla ifrån när H-ingången flyter fritt och den kommer att förbli fränkopplad i 30 sekunder även om det får en återtillkopplingssignal under den tiden. Efter 30 sekunder kommer den att svara omedelbart på en återtillkopplingssignal. Därför blir det normalt inte någon väntetid om SBP används som en av/på-brytare för systemet (koppla systemets av/på-brytare till den positiva ingången på BMS i detta syfte).

På samma sätt kommer SBP att vara fränkopplad i 30 sekunder om systemet stängs av på grund av för låg cellspänning, även om det återfår signal inom den perioden (vilket kommer att hända om inga andra belastningar är kopplade till batteriet). Efter tre försök att återkoppla kommer SBP att vara fränkopplad till dess att batterispänningen har ökat till mer än 52 V i minst 30 sekunder vilket är ett tecken på att batteriet håller på att laddas). Batteriskyddets underspänningströskel och larmutgång är inaktiva i detta läge.

För att starta skyddet manuellt igen kan du snabbt koppla ifrån och sedan koppla tillbaka fjärrbrytaren för av/på eller slå av och på BMS igen.

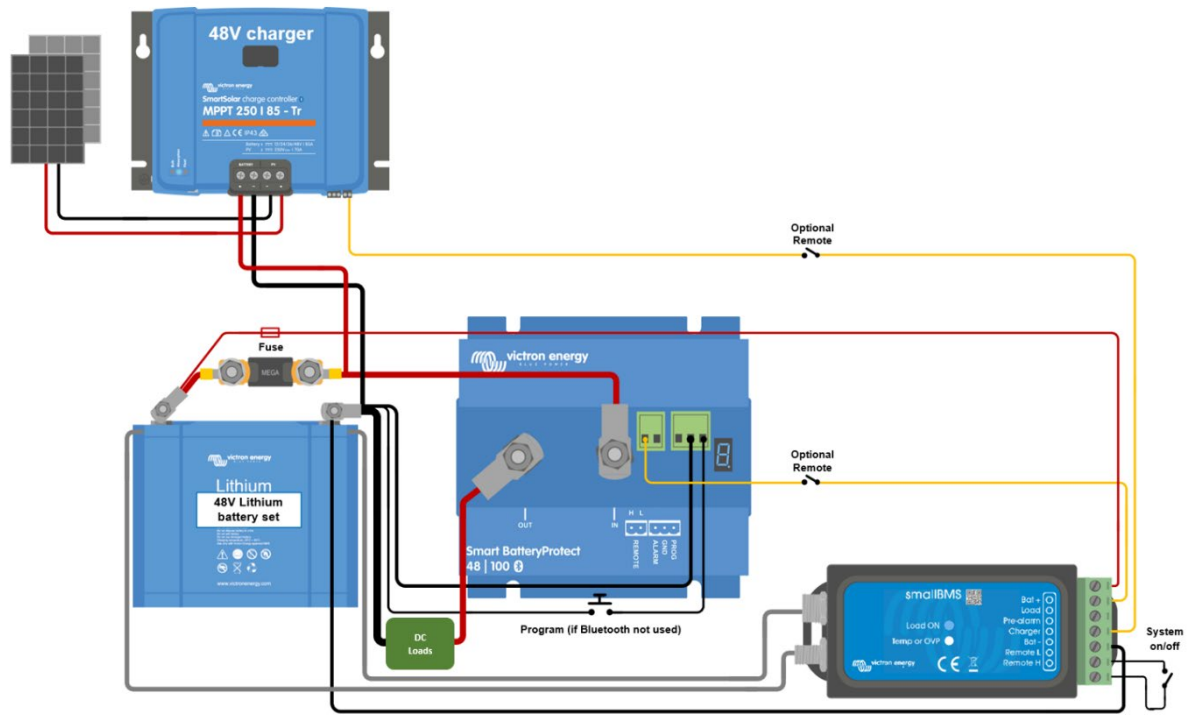


Bild 4: DC-solcellssystem med litiumjonbatteri (tillämpligt med Ve.Bus BMS eller smallBMS)

**Obs:** okontrollerad backström kommer att flyta genom ett smart batteriskydd om  $V_{ut} > V_{in}$ . Använd därför aldrig ett Smart BatteryProtect för laddning av batteri till batteri.

## BILAGA

### Fel-/varningskoder

#### E0: Kalibreringsfel

Internt fel – kalibreringsdata felaktig eller saknas



Kontakta återförsäljare för support – felet kan inte åtgärdas av användaren och SBP kräver utbyte

#### E1: Kortslutning

Kortslutningsskyddet aktiveras i händelse av en kortslutning, en överbelastning eller för hög ingångsström - som när man försöker att direkt strömförse en växelriktare.



1. Kontrollera om det förekommer någon kortslutning
2. Kontrollera att belastningens strömförbrukning inte överstiger SBP:s strömkapacitet.
3. Använda SBP för att styra av/på-fjärrbrytaren på belastningar med hög ingångsström, istället för att direkt strömförse/koppla ifrån DC-inmatningen
4. Kolla efter lösa/höga resistansanslutningar och säkerställ att korrekta kabelmått används i installationen.

#### P2. Varning för övertemperatur

##### Brådskande åtgärd krävs för att förhindra belastningsfrånkoppling

Intern temperatur nära gränsen. Skyddet mot övertemperatur kommer att aktiveras om temperaturen fortsätter att stiga

#### E2: Övertemperatur

Skyddet mot övertemperatur aktiveras i händelse av för hög intern temperatur



1. Kontrollera att belastningens strömförbrukning inte överstiger SBP:s strömkapacitet.
2. Kolla efter lösa/höga resistansanslutningar och säkerställ att korrekta kabelmått används i installationen.
3. Installera inte SBP-enheten på en plats som utsätts för höga temperaturer eller solljus - flytta SBP till en svalare plats eller förse den med ytterligare aktiv nedkylning.

#### P3: Underspänningsvarning

##### Brådskande åtgärd krävs för att förhindra belastningsfrånkoppling

Skyddet mot underspänning kommer att aktiveras inom 90 sekunder om ingen åtgärd vidtas

#### E3: Underspänning

Skyddet mot underspänning aktiveras om ingångsspänningen sjunker under den fastställda underspänningsgränsen i 90 sekunder.



1. Stäng av/koppla ifrån belastningarna och ladda upp batteriet
2. Kontrollera att laddningssystem och batteri fungerar korrekt

#### E4: Överspänning

Skyddet mot överspänning aktiveras om ingångsspänningen överstiger 64 V



1. Bekräfta konfigurationen av alla laddningsenheter i systemet – särskilt inställningarna för systemspänning och laddningsspänning.
2. Kontrollera att laddningssystemet fungerar korrekt
3. Bekräfta att konfigurationen av SBP:s systemspänning är korrekt

#### E5: Konfigureringsfel

Internt fel – konfigureringsdata felaktig eller saknas



- För att återställa SBP från detta läge:
1. Återställ enheten till fabriksinställningar i Inställningar > Fler alternativ > Återställ till fabriksinställningar
  2. Koppla bort all ström och vänta i 3 minuter innan återkoppling
  3. Konfigurera om enheten enligt behov

#### E6: Fel referensspänning

Internt fel – referensspänningsdata felaktig eller saknas



Kontakta återförsäljare för support – felet kan inte åtgärdas av användaren och SBP kräver utbyte

#### E7: BMS-spärr

BMS-spärrskydd aktiveras i händelse av att den externa BMS:en kräver av SBP att stänga av och sedan starta om tre gånger i följd (typiskt beteende vid avstängning på grund av låg cellspänning)

När E7 aktiveras kommer SBP att förbli avstängd tills ingångsspänningen överstiger 52 V



1. Kontrollera BSM felkoder/logg för att identifiera orsaken till avstängningen och korrigera felet
2. Stäng av/koppla ifrån belastningarna och ladda upp batteriet
3. Kontrollera kablarna mellan BMS och SBP-fjärrterminal
4. Kontrollera att BMS fungerar korrekt

#### E8: Backström

Skyddet mot backström aktiveras om backström detekteras

**VIKTIGT! SBP är utformad för att ENDAST tillåta strömflöde från IN- till UT-terminaler. Backström är strängt förbjuden och kan orsaka SBP permanenta skador.**

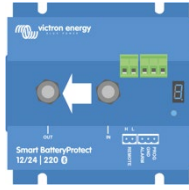


1. Kontrollera att SBP-installationens orientering är korrekt - strömflödet måste vara från IN till UT (se exempel på kabeldiagram)
2. Bekräfta att inga laddningskällor är felaktigt kopplade till SBP:s utgångsterminal/krets
3. Om SBP används för att koppla ifrån en laddningskälla, säkerställ att det inte finns några belastningar som är felaktigt kopplade till SBP:s ingångsterminal/krets

**Smart BatteryProtect 48/100**  
 DEUTSCH

**Installation**

- Der Smart BatteryProtect (SBP) muss in einem gut belüfteten Bereich und vorzugsweise in der Nähe der Batterie (aber aufgrund möglicher korrosiver Gase nicht über der Batterie!) installiert werden. **Der Spannungsabfall über ein langes oder unterdimensionales Kabel zwischen Batterie plus und SBP kann zu einem Kurzschlussalarm beim Starten der Last oder zu einem unerwarteten Abschalten führen.**
- Eine entsprechend dimensionierte Sicherung muss entsprechend den örtlichen Vorschriften in das Kabel zwischen Batterie und SBP eingesetzt werden.
- Das SBP ist so konzipiert, dass der Strom nur von den IN- (Batterie) zu den OUT- (Last) Klemmen fließen kann. Rückströme von OUT- zu IN-Klemmen sind strengstens verboten und führen zu Schäden am Gerät. Wenn Sie das SBP als Trennvorrichtung für eine Ladequelle verwenden möchten, müssen Sie das Gerät im System so ausrichten, dass der Strom in die vorgesehene Richtung fließt, IN nach OUT.
- Der Kurzschlusschutz des SBP wird aktiviert, wenn Sie versuchen, Lasten mit Kondensatoren direkt an deren Eingang anzuschließen (z.B. Wechselrichter). Für diesen Anwendungsfall verwenden Sie bitte das SBP, um den ferngesteuerten Ein-/Ausrichter an Wechselrichter zu steuern, anstatt die Gleichstromleitung mit höherer Leistung zu trennen.
- Verwenden Sie für die GND-Klemme einen 1,5 mm<sup>2</sup>-Draht (im Lieferumfang enthalten), der direkt mit dem Minuspol der Batterie (oder dem Chassis eines Fahrzeugs) verbunden werden sollte. Es dürfen keine anderen Geräte mit diesem Draht verbunden sein.
- Der SBP erkennt die Systemspannung automatisch **nur einmal** beim ersten Einschalten. Während der Spannungserkennung zeigt die 7-Segmentanzeige eine Reihe von Blitzen zwischen dem oberen und dem unteren Teil an.
- Schließen Sie den Lastausgang erst an, wenn das SBP vollständig programmiert ist.
- Zwischen Fern-H und Fern-L kann ein Fern-Ein/Aus-Schalter angeschlossen werden (siehe Abbildung 1). Alternativ kann die Klemme H hoch (auf Pluspol der Batterie) oder die Klemme L niedrig (auf Minuspol der Batterie) geschaltet werden.
- Ein Summer, eine LED oder ein Relais kann zwischen der Alarmausgangsklemme und dem Pluspol der Batterie angeschlossen werden (siehe Abbildung 1). Maximale Last am Alarmausgang: 50 mA (kurzschlussfest)


**Vorfälle, die zum Abschalten der Last führen, und Optionen für den Alarmausgang**

Akustischer Alarm oder LED-Modus (es ist ein akustischer Alarm oder eine LED an den Alarm-Ausgang angeschlossen):

- Im Falle einer auftretenden Unterspannung schaltet sich nach 12 Sekunden ein anhaltender Alarm ein. Das SBP wird die Last nach 90 Sekunden abschalten und der Alarm wird gestoppt. Wiedereinschaltungsverzögerung: 30 Sekunden
  - Im Falle einer auftretenden Überspannung wird die Last sofort abgeschaltet und ein periodischer Alarm bleibt solange eingeschaltet, bis das Problem mit der Überspannung gelöst wurde. Es gibt keine Wiedereinschaltungsverzögerung.
- Relais-Modus (ein Relais ist an den Alarmausgang angeschlossen):
- Im Falle einer auftretenden Unterspannung spricht nach 12 Sekunden ein Relais an. Das SBP wird die Last nach 90 Sekunden abschalten und das Relais wird deaktiviert.
  - Bei einer auftretenden Überspannung wird die Last sofort abgeschaltet und der Alarmausgang bleibt nicht aktiv. Überspannungsauslösestufen: 65,2 V
- Lithium-Ionen-Modus:
- Schließen Sie den Lasttrennungsausgang des VE.Bus BMS an die Fern-H-Klemme an. Die Last wird sofort abgeschaltet, wenn der Lastabschaltausgang des VE.Bus BMS von "hoch" auf "freischwebend" wechselt (aufgrund von Batteriezellen unter Spannung, Überspannung oder Übertemperatur). Die Schwellwerte für die Unterspannung und Alarmausgang des SBP sind in diesem Modus inaktiv.

**Betrieb**

Es gibt 9 mögliche Fehlermodi und 2 Warnmodi, die durch die 7-Segment-Anzeige und innerhalb von VictronConnect angezeigt werden, wenn ein Bluetooth-fähiges Smartphone oder Tablet verwendet wird:

- E0 Kurzschluss festgestellt
- E2 Überlast oder Übertemperatur / P2 Übertemperaturwarnung
- E3 Unterspannung / P3 Unterspannungswarnung
- E4 Überspannung
- E5 Fehler bei den Einstellungen
- E6 Referenzspannungsausfall
- E7 BMS Ausspernung

Nach 5 Minuten wird der Fehler nicht länger angezeigt, um den Stromverbrauch zu senken.

Weitere Informationen zu den einzelnen Fehlern finden Sie im Anhang.

Der Dezimalpunkt der 7-Segmentanzeige wird für die Statusanzeige verwendet:

- Auf Festkörper: Das SBP versucht, den Ausgang zu aktivieren.
- Er blinkt alle 5 s: Ausgang ist aktiv
- Blinkt alle 2 Sekunden im Lithium-Ionen-Modus: Ausgang "Verbinden".

**Fernsteuerung und Kurzschluss**

- Der BP wird die Last 1 Sekunde, nachdem der Fernsteuerungskontakt geschlossen wurde, verbinden.
- Das SBP wird die Last sofort abschalten, wenn der Fernsteuerungskontakt geöffnet wird.
- Im Lithium-Ionen-Modus beobachtet das SBP eine Totzeit von 30 Sekunden, nachdem der externe Eingang des SBP freischwebend geworden ist. Eine detaillierte Beschreibung finden Sie im Hinweis unter Abbildung 4.
- Im Falle eines Kurzschlusses versucht das SBP alle 5 Sekunden, die Last anzuschließen. Nach zwei Versuchen wird das Display E 1 (Kurzschluss festgestellt) angezeigt.

**Programmierung**

Im ausgeschalteten Zustand (ferngesteuert offen) kann das SBP programmiert werden, indem der PROG-Pin mit der Masse verbunden wird. Alternativ kann es mit einem Bluetooth-fähigen Smartphone oder Tablet über VictronConnect programmiert werden.

Die 7-Segmentanzeige führt zunächst durch die Abschalt- und Wiederanlaufspannungen. Wenn die gewünschte Spannung angezeigt wird, trennen Sie den Pol PROG. Das Display wird die gewählte Spannung und den Standardmodus (R) zweimal bestätigen.

Schließen Sie den PROG-Pin erneut an die Masse an, wenn ein anderer Modus (b oder C) erforderlich ist. Trennen Sie die Verbindung, wenn der gewünschte Modus angezeigt wird.

Das Display wird die ausgewählte Spannung und den Modus zweimal bestätigen.

 Der PIN-Code kann mit der Option P zurückgesetzt werden. **Die Verbindungsinformationen müssen nach Auswahl dieser Option gelöscht werden.** Bluetooth kann mithilfe der VictronConnect App oder durch Auswahl von F (aktivieren) oder h (deaktivieren) deaktiviert bzw. wieder aktiviert werden. Siehe Tabelle unten:

**Programmierungstabelle**

| 7-Segmentanzeige | Abschalten wegen Unterspannung 48 V-System     | Neustart nach Unterspannung 48 V-System |
|------------------|--|---|
| 0                | 42 V   | 48 V                                    |
| 1                | 40 V   | 46 V                                    |
| 2                | 38 V   | 46 V                                    |
| 3                | 45 V   | 53 V                                    |
| 4                | 46 V   | 55,2 V                                  |
| 5                | 42 V   | 51,2 V                                  |
| 6                | 46 V   | 51,2 V                                  |
| 7                | 47,2 V   | 51,2 V                                  |
| 8                | 48 V   | 52 V                                    |
| 9                | 40 V   | 52,8 V                                  |
| -                | Benutzerdefinierte Einstellungen mit Bluetooth |   |
| R                | Akustischer Alarm oder LED-Modus               |   |
| b                | Relais-Modus                                   |   |
| C                | Lithium-Ionen-Modus                            |   |
| F                | Bluetooth aktivieren                           |   |
| h                | Bluetooth deaktivieren                         |   |
| P                | Zurücksetzen des PIN-Codes                     |   |

Dieses Gerät erfüllt Teil 15 der FCC-Bestimmungen.

Der Betrieb unterliegt den folgenden zwei Bedingungen:

- dieses Gerät darf keine schädlichen Funkstörungen verursachen und
- dieses Gerät muss sämtliche Funkstörungen empfangen, einschließlich Funkstörungen, die einen unerwünschten Betrieb verursachen können.

**Warnung (Teil 15.21)**

Änderungen oder Modifikationen, die nicht ausdrücklich von der für die Einhaltung der Vorschriften verantwortlichen Partei genehmigt wurden, können die Berechtigung des Benutzers zum Betrieb des Geräts unwirksam machen.

**Informationen für den Benutzer (Teil 15.105b)**

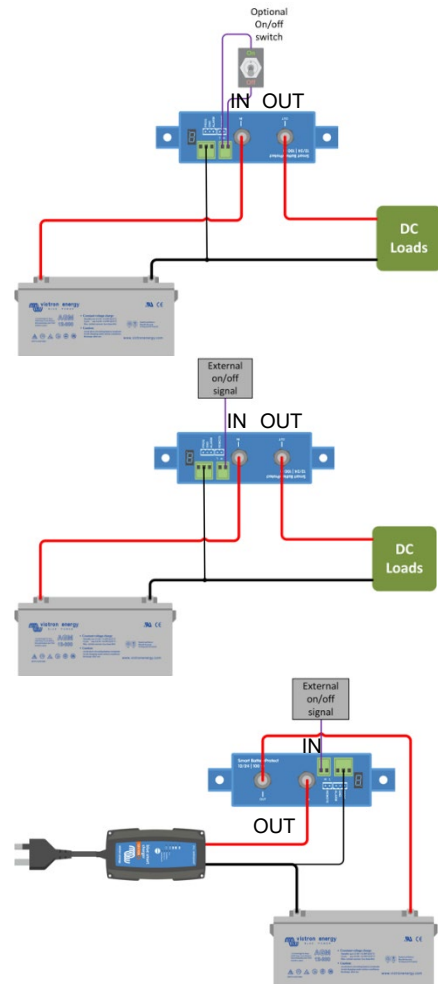
Hinweis: Dieses Gerät wurde getestet und entspricht den Grenzwerten für Digitalgeräte der Klasse B gemäß Teil 15 der FCC-Bestimmungen. Diese Grenzwerte bieten einen angemessenen Schutz gegen schädliche Funkstörungen in Wohngebieten. Dieses Gerät erzeugt und verwendet Hochfrequenzenergie und kann diese ausstrahlen. Sollte es nicht gemäß den Anweisungen installiert und verwendet werden, kann es schädliche Störungen des Funkverkehrs verursachen. Dennoch gibt es keine Garantie, dass bei einer bestimmten Installation keine Funkstörungen auftreten können. Sollte dieses Gerät den Radio- oder Fernsehempfang stören, was durch Ein- und Ausschalten des Geräts festgestellt werden kann, sollte der Benutzer versuchen, die Funkstörung durch eine oder mehrere der folgenden Maßnahmen zu beheben:

- Neuausrichtung oder Verlegung der Empfangsantenne.
- Erhöhung des Abstands zwischen dem Gerät und dem Empfänger.
- Schließen Sie das Gerät an eine Steckdose an, die nicht mit dem Stromkreis verbunden ist, an den der Empfänger angeschlossen ist.
- Wenden Sie sich an Ihren Händler oder einen erfahrenen Radio-/Fernsehtechniker, um Hilfe zu erhalten.

Dieses Gerät enthält einen Sender mit der FCC-Kennung: SH6MDBT42Q

**Technische Daten**

| Smart BatteryProtect                   |   | SBP 48 100   |
|--|---|--|
| Maximum unterbrechungsfreier Laststrom |   | 100 A  |
| Spitzenstrom                           |   | 250 A  |
| Betriebsbereich Spannung               |   | 24 – 70 V  |
| Stromverbrauch                         | BLE an  | Wenn an: 1,9 mA  |
|  | BLE aus   | Wenn aus oder nach Abschalten bei niedriger Spannung : 1,7 mA                    |
| Verzögerung Alarmausgang               | Wenn an: 1,7 mA   | Wenn an: 1,7 mA  |
|  | Wenn aus oder nach Abschalten bei niedriger Spannung : 1,6 mA | Wenn aus oder nach Abschalten bei niedriger Spannung : 1,6 mA                    |
| Verzögerung Alarmausgang               |   | 12 Sekunden  |
| Maximale Last am Alarmausgang          |   | 50 mA (kurzschlussfest)  |
| Verzögerung Last abschalten            |   | 90 Sekunden (sofort, wenn durch das VE.Bus BMS ausgelöst)                        |
| Standardschwellwerte                   |   | Ausschalten: 42 V Einschalten: 48 V  |
| Betriebstemperaturbereich              |   | Volle Last: -40 °C bis +40 °C (bis zu 60 % des Nominalwertes der Last bei 50 °C) |
| Anschluss                              |   | M8   |
| Befestigungsdrehmoment                 |   | 9 Nm   |
| Gewicht                                |   | 0,8 kg 1,8 Pfund   |
| Abmessungen (HxBxT)                    |   | 62 x 123 x 120 mm<br>2,5 x 4,9 x 4,8 Zoll  |

**Beispiel-Schaltpläne**


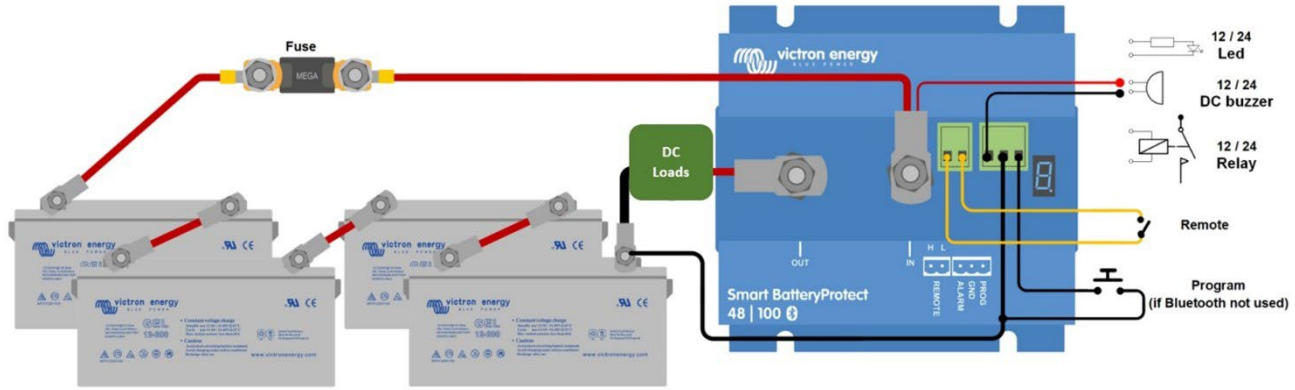


Abbildung 1 Anschlussplan des SBP 48|100  
 (verwenden Sie den Fern-Eingang für die System-Ein/Aus-Funktionalität)

- |   |              |  |
|---|--------------|--|
| B | 2.1 H remote | (Fern- H-Klemme, angeschlossen auf Batterie-Plus zum Einschalten)  |
|   | 2.2 L remote | (Fern- L-Klemme, angeschlossen auf Batterie-Minus zum Einschalten) |
| B | 1.1 ALARM    |  |
|   | 1.2 GND      |  |
|   | 1.3 PROG     |  |

Abbildung 2: Anschlusspläne und Pin-Nummerierung

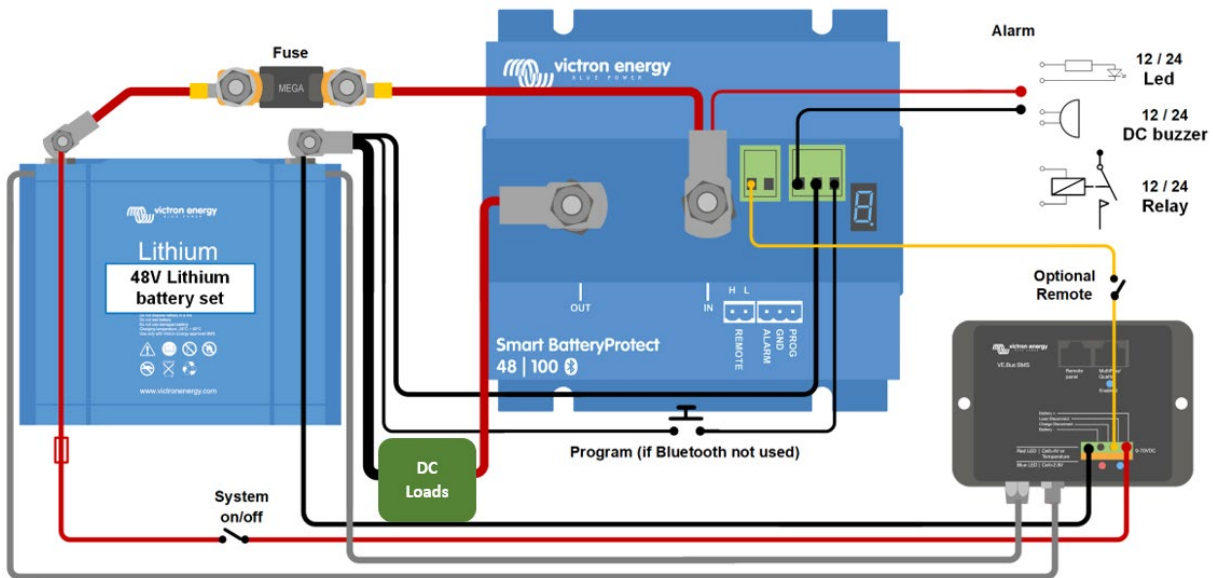


Abbildung 3: System mit 48 V Li-Ionen-Batteriesatz  
 (einsetzbar mit VE.Bus BMS oder smallBMS)

Hinweis: Im Lithium-Ionen-Modus schaltet sich der SBP aus, wenn der H-Eingang frei beweglich wird, und bleibt für 30 Sekunden deaktiviert, auch wenn er innerhalb dieses Zeitraums ein Wiedereinrastsignal erhält. Nach 30 Sekunden reagiert es sofort auf ein Wiedereinrastsignal. Daher gibt es in der Regel keine Wartezeit, wenn der SBP als System-Ein/Aus-Schalter verwendet wird (verdrahten Sie dazu den System-Ein/Aus-Schalter in die positive Versorgung des BMS).

Ebenso bleibt das SBP, wenn ein System aufgrund einer niedrigen Zellenspannung abgeschaltet wurde, für 30 Sekunden abgeschaltet, auch wenn es innerhalb dieses Zeitraums ein Wiedereinrastsignal empfängt (was geschieht, wenn keine anderen Verbraucher an die Batterie angeschlossen sind). Nach 3 Versuchen, des Wiedereinkuppelns bleibt der SBP ausgeschaltet, bis die Batteriespannung während mindestens 30 Sekunden auf mehr als 52 V gestiegen ist (was ein Zeichen dafür ist, dass der Akku wieder aufgeladen wird). Die Schwellwerte für die Unterspannung und Alarmausgang des SBP sind in diesem Modus inaktiv.

Um es manuell wieder in Betrieb zu nehmen, trennen Sie die Fern- Ein-/Ausklemme kurz und schließen Sie sie wieder an oder schalten Sie das BMS aus und wieder ein.



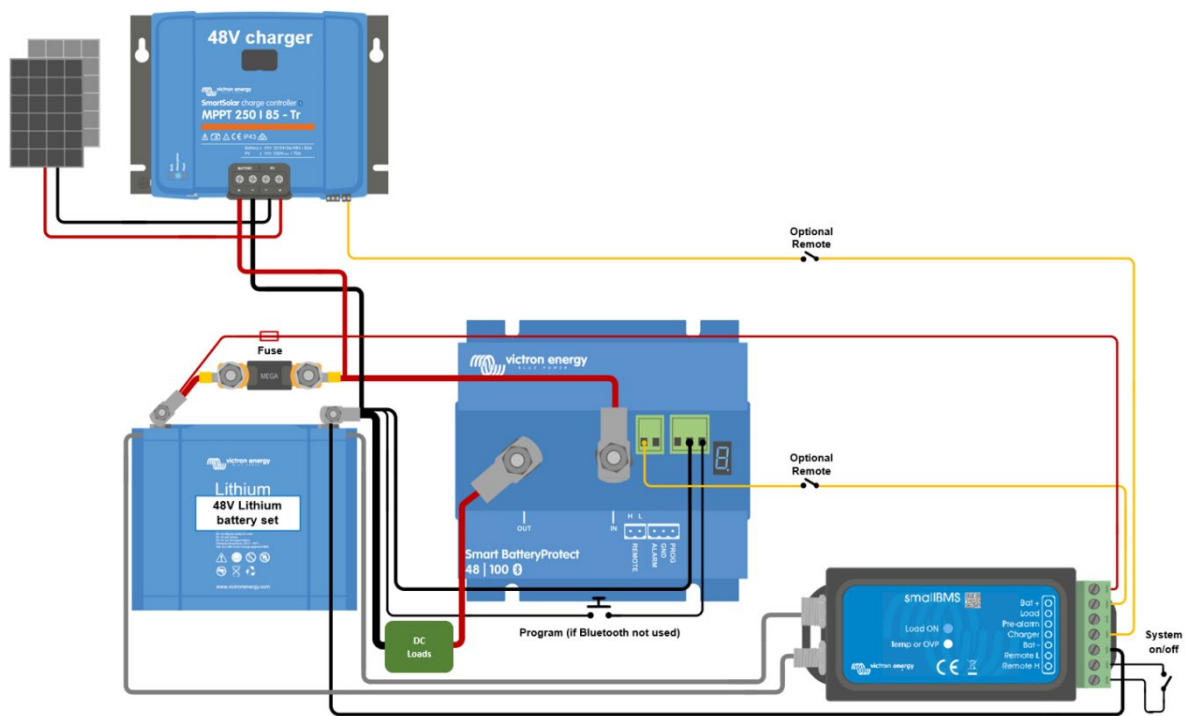


Abbildung 4: DC-Solarsystem mit Lithium-Batterie (anwendbar mit VE.Bus BMS oder smallBMS)

**Achtung:** Unkontrollierter Rückstrom fließt durch einen Smart BatteryProtect, wenn  $V_{out} > V_{in}$ . Verwenden Sie daher niemals einen Smart BatteryProtect für das Laden von Batterie zu Batterie.

## ANHANG

### Fehler-/Warncodes

#### E0: Kalibrierfehler

Interne Fehlfunktion - Ausfall/Fehlen von Kalibrierdaten



Wenden Sie sich an den Händler, um Unterstützung zu erhalten - Der Fehler kann vom Benutzer nicht behoben werden und SBP muss ersetzt werden.

#### E1: Kurzschluss

Der Kurzschlusschutz wird im Falle eines Kurzschlusses, einer Überlastbedingung oder eines übermäßigen Einschaltstroms aktiviert - z. B. beim Versuch, einen Wechselrichter direkt zu speisen.



1. Prüfen Sie auf einen potenziellen Kurzschlussfall
2. Bestätigen Sie, dass die Laststromaufnahme den SBP-Strom-Nennwert nicht überschreitet
3. Verwenden Sie den SBP zur Steuerung des Fern-Ein-/Ausschalters bei Lasten mit hohen Einschaltströmen, anstatt die Gleichstromversorgung direkt ein- und auszuschalten.
4. Prüfen Sie auf lose/hochohmige Verbindungen und stellen Sie sicher, dass in der Installation eine geeignete Messgeräteverkabelung verwendet wird.

#### P2: Übertemperatur-Warnung

**Dringendes Eingreifen erforderlich, um eine Lastabschaltung zu verhindern**

Innentemperatur nahe am Grenzwert. Der Übertemperaturschutz wird aktiviert, wenn die Temperatur weiter ansteigt.

#### E2: Überhitzung

Der Übertemperaturschutz wird bei einer zu hohen Innentemperatur aktiviert.



1. Bestätigen Sie, dass die Laststromaufnahme den SBP-Strom-Nennwert nicht überschreitet
2. Prüfen Sie, ob die Verbindungen locker/hochohmig sind, und stellen Sie sicher, dass in der Installation eine geeignete Messgeräteverkabelung verwendet wird.
3. Installieren Sie die SBP-Einheit nicht an einem Ort, der hohen Temperaturen oder Strahlungswärme ausgesetzt ist - verlegen Sie die SBP-Einheit an eine kühlere Stelle oder sorgen Sie für zusätzliche aktive Kühlung.

#### S. 3: Unterspannungswarnung

**Dringendes Eingreifen erforderlich, um eine Lastabschaltung zu verhindern**

Der Unterspannungsschutz wird in 90 Sekunden aktiviert, wenn keine Maßnahmen ergriffen werden.

#### E3: Unterspannung

Der Unterspannungsschutz wird aktiviert, wenn die Eingangsspannung 90 Sekunden lang unter die gewählte Unterspannungsgrenze fällt.



1. Lasten ausschalten/abtrennen und die Batterie wieder aufladen
2. Überprüfung des Ladesystems und der Batterie auf ordnungsgemäßen Betrieb

#### E4: Überspannung

Der Überspannungsschutz wird aktiviert, wenn die Eingangsspannung 64 V übersteigt.



1. Bestätigen Sie die Konfiguration aller Ladegeräte im System - insbesondere die Einstellungen der Systemspannung und der Ladespannung
2. Prüfen Sie das Ladesystem auf ordnungsgemäßen Betrieb
3. Bestätigen Sie, dass die Konfiguration der SBP-Systemspannung korrekt ist

#### E5: Konfigurationsfehler

Interne Fehlfunktion - Ausfall/Fehlen von Konfigurationsdaten



- SBP aus diesem Zustand wiederherzustellen;
1. Setzen Sie das Gerät auf die Werkseinstellungen zurück unter - Einstellungen > Weitere Optionen > Auf Standardeinstellungen zurücksetzen
  2. Trennen Sie die gesamte Stromversorgung und warten Sie 3 Minuten, bevor Sie die Verbindung wieder herstellen
  3. Konfigurieren Sie die Einheit nach Bedarf neu

#### E6: Ausfall der Referenzspannung

Interne Fehlfunktion - Ausfall/Fehlen der Referenzspannung



Wenden Sie sich an den Händler, um Unterstützung zu erhalten - Der Fehler kann vom Benutzer nicht behoben werden und SBP muss ersetzt werden.

#### E7: BMS-Sperre

Der BMS-Sperrschutz wird aktiviert, wenn das externe BMS den SBP auffordert, sich nacheinander auszuschalten und dann dreimal wieder einzuschalten (typisches Verhalten bei einer Abschaltung aufgrund niedriger Zellspannung).

Sobald E7 aktiviert ist, bleibt der SBP deaktiviert, bis die Eingangsspannung 52 V übersteigt.



1. Überprüfen Sie die BMS-Fehlercodes/Protokoll, um die Ursache der Abschaltung zu identifizieren und das Problem zu beheben
2. Schalten Sie Lasten aus/trennen Sie sie ab und laden Sie die Batterie auf
3. Prüfen Sie die Verdrahtung zwischen BMS und SBP Fern-Klemme
4. Überprüfen Sie das BMS auf ordnungsgemäßen Betrieb

#### E8: Rückstrom

Der Rückstromschutz wird aktiviert, wenn ein Rückstromfluss festgestellt wird

**ACHTUNG: SBP ist so ausgelegt, dass ein Stromfluss NUR von den IN- zu den OUT-Klemmen zugelassen oder verhindert wird. Ein Rückstromfluss ist streng verboten und kann den SBP dauerhaft beschädigen.**

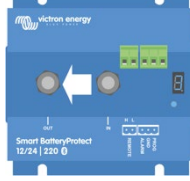


1. Überprüfen Sie, ob die Ausrichtung der SBP-Installation korrekt ist - der Stromfluss muss von IN nach OUT erfolgen (siehe Beispielschaltpläne)
2. Vergewissern Sie sich, dass keine Ladequellen versehentlich an die Klemme/Schaltkreis SBP OUT angeschlossen sind.
3. Wenn der SBP zum Trennen einer Ladequelle verwendet wird, stellen Sie sicher, dass keine Lasten versehentlich an die Klemme/Schaltkreis des SBP IN angeschlossen sind

**Smart BatteryProtect 48/100**  
**PORTUGUÊS**

**Instalação**

1. Instale o protetor Smart BatteryProtect (SBP) num local bem ventilado e próximo da bateria (máx. 50 cm), mas não sobre a mesma, por causa dos eventuais gases corrosivos! **A queda de tensão provocada por um cabo demasiado comprido ou subdimensionado entre a bateria e o SBP pode provocar um alarme de curto-circuito ao ligar a carga ou uma paragem inesperada.**
  2. Instale um fusível com a dimensão adequada no cabo que liga a bateria ao SBP, em conformidade com os regulamentos locais.
  3. O SBP foi projetado para permitir o fluxo de corrente apenas dos terminais IN (bateria) para OUT (carga).
- As correntes inversas dos terminais OUT para IN são estritamente proibidas e danificarão o dispositivo. Se quiser usar o SBP como uma desconexão para a fonte de carga, deve orientar a unidade no sistema de modo que a corrente flua na direção pretendida, IN para OUT.
4. A proteção de curto-circuito do SBP será ativada se tentar conectar cargas diretamente cargas com condensadores na entrada (p. ex., inversores). Para esta utilização, inclua o SBP para controlar o botão ligar/desligar remoto no inversor, em vez de desligar a linha CC de potência superior.
  5. Utilize um cabo de 1,5 mm<sup>2</sup> (incluído) na conexão GND, que deve ligar diretamente ao terminal negativo da bateria (ou ao chassis de um veículo). Não deve ligar o cabo a outro equipamento.
  6. O SBP deteta automaticamente a tensão do sistema **uma vez apenas** durante o arranque inicial. Durante a deteção de tensão, o visor de sete segmentos indica uma série de intermitências entre a parte superior e inferior.
  7. Não ligue a saída de carga enquanto o SBP não estiver completamente programado.
  8. Pode conectar um interruptor de ligar/desligar entre H Remoto e L Remoto (consulte a Figura 1). Em alternativa, pode comutar o terminal H para alto (para o positivo da bateria) ou o terminal L para baixo (para o negativo da bateria).
  9. Pode ligar uma campainha, um LED ou um relé entre o terminal de saída do alarme e o positivo da bateria (ver figura 1). Carga máxima na saída de alarme: 50 mA (à prova de curto-circuito).



**Eventos de corte da carga e opções da saída de alarme**

Modo campainha ou LED (ligados na saída de alarme):

- Em caso de subtensão: decorridos 12 s, é ativado um alarme contínuo. O SBP desliga a carga passados 90 s e o alarme para. Atraso de reconexão: 30 s
- Em caso de sobretensão, a carga é desligada automaticamente e o alarme intermitente continua ativo enquanto o problema não for solucionado. Não existe atraso na reconexão.

Modo relé (ligado na saída do alarme):

- Em caso de subtensão, decorrido 12 s, é engatado um relé. O SBP desliga a carga passados 90 s e o relé é desengatado.
- Em caso de sobretensão, a carga é desligada automaticamente imediatamente e a saída do alarme continua inativa. Nível de disparo de subtensão: 65,2 V

Modo Li-ion

- Conecte a saída desconectada da carga do VE.Bus BMS ao terminal Remoto H. A carga é desligada automaticamente quando a saída de corte da carga do VE.Bus BMS muda de "Alto" para "Lenta" (devido a subtensão, sobretensão ou sobreaquecimento da bateria). O limiar de subtensão e a saída de alarme do SBP estão desativados neste modo.

**Funcionamento**

Existem nove modos de erro possível e dois modos de advertências, indicados pelo visor de sete segmentos e na app VictronConnect quando utiliza um *smartphone* ou *tablet* com Bluetooth ativado:

- E 1 Curto-circuito detetado
- E 2 Aviso de sobrecarga ou sobreaquecimento / sobreaquecimento P2
- E 3 Aviso de subtensão / subtensão P3
- E 4 Sobretensão
- E 5 Definições de Anomalia
- E 6 Anomalia de Tensão de Referência
- E 7 Bloqueio de BMS

O visor deixa de indicar o erro decorridos 5 min para reduzir o consumo de corrente.

Consulte o Apêndice para mais informação sobre os erros.

O ponto decimal do visor de sete segmentos indica o estado:

- Fixo: o SBP tenta ativar a saída.
- Piscas a cada 5 s: a saída está ativa.
- Piscas a cada 2 s no modo Li-ion: saída a ligar.

Controlo remoto e curto-circuito

- O SBP liga a carga 1 s depois de fechar o contacto remoto.
- O SBP desliga a carga imediatamente quando o contacto remoto está aberto.
- No modo Li-ion o SBP vai cumprir um período inativo de 30 s depois de a entrada remota do SBP ter ficado em flutuação livre. Consulte na nota sob a Figura 4 uma descrição detalhada.
- Em caso de curto-circuito, o SBP tenta ligar a carga a cada 5 s. O ecrã indica E 1 (curto-circuito detetado) depois de duas tentativas.

**Programação**

Quando estiver desligado (remoto aberto), o SBP pode ser programado conectando o pino PROG a terra. Em alternativa, pode ser programado através de um *smartphone* ou *tablet* com Bluetooth ativado por meio da app VictronConnect

O visor de sete segmentos indica primeiro as tensões de corte e de reinício. Desligue o pino PROG quando visualizar a tensão pretendida.

O visor confirma a tensão selecionada e o modo predefinido (R) duas vezes.

Ligue o pino PROG a terra se precisar de outro modo (b ou C). Desligue quando visualizar o modo selecionado.

O visor confirma a tensão selecionada e o modo duas vezes.

O código PIN pode ser redefinido selecionando a opção P. Os dados de emparelhamento precisam ser removidos após selecionar esta opção. O Bluetooth pode ser desativado/reactivado com a aplicação VictronConnect ou selecionando F (ativar) ou h (desativar). Consulte a seguinte tabela:

**Tabela de programação**

| Visor de sete segmentos | Corte por subtensão Sistema 48 V       | Reinício por subtensão Sistema 48 V |
|-------------------------|--|-------------------------------------|
| 0                       | 42 V                                   | 48 V                                |
| 1                       | 40 V                                   | 46 V                                |
| 2                       | 38 V                                   | 46 V                                |
| 3                       | 45 V                                   | 53 V                                |
| 4                       | 46 V                                   | 55,2 V                              |
| 5                       | 42 V                                   | 51,2 V                              |
| 6                       | 46 V                                   | 51,2 V                              |
| 7                       | 47,2 V                                 | 51,2 V                              |
| 8                       | 48 V                                   | 52 V                                |
| 9                       | 40 V                                   | 52,8 V                              |
| -                       | Definições do utilizador com Bluetooth |                                     |
| R                       | Modo de campainha ou LED               |                                     |
| b                       | Modo de relé                           |                                     |
| C                       | Modo Li-ion                            |                                     |
| F                       | Bluetooth ativado                      |                                     |
| h                       | Bluetooth desativado                   |                                     |
| P                       | Reinicialização do código PIN          |                                     |

Este dispositivo está em conformidade com a secção 15 das regras FCC.

O funcionamento está sujeito às seguintes duas condições:

- (1) este dispositivo não pode causar interferências nocivas, e
- (2) este dispositivo deve aceitar qualquer interferência recebida, incluindo as interferências que possam causar um funcionamento indesejado.

**Advertência (secção 15.21)**

As alterações ou as modificações não aprovadas expressamente pela parte responsável pelo cumprimento podem anular a autoridade do utilizador para utilizar o equipamento.

**Informação ao Utilizador (secção 15.105b)**

*Nota:* Este equipamento foi testado e cumpre os limites para um dispositivo digital de Classe B, de acordo com a Secção 15 das Normas FCC. Estes limites foram desenvolvidos para proporcionar uma proteção razoável contra interferências nocivas numa instalação residencial. Este equipamento gera, utiliza e pode irradiar energia de radiofrequência e, se não for instalado e utilizado segundo as instruções, pode causar interferências nocivas nas comunicações de rádio. No entanto, não existe garantia de que não ocorram interferências numa instalação específica. Se este equipamento causar interferências nocivas na receção de rádio ou televisão, o que pode ser determinado desligando e ligando o equipamento, o utilizador é encorajado a tentar corrigir as interferências mediante uma ou mais das seguintes medidas:

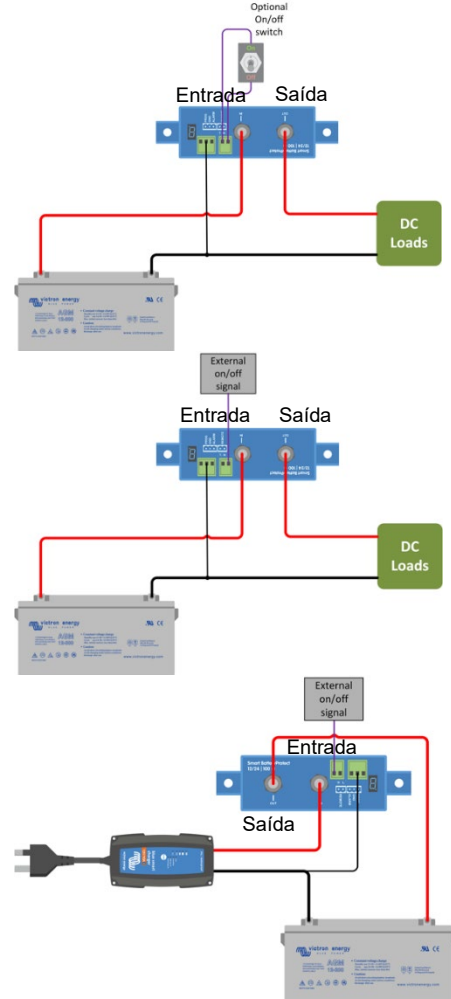
- Reorientar ou repositonar a antena recetora.
- Aumentar a separação entre o equipamento e o recetor.
- Ligar o equipamento a uma tomada num circuito diferente daquele ao qual o recetor está ligado.
- Consulte o distribuidor ou um técnico de rádio/TV qualificado para obter ajuda.

Este dispositivo contém um transmissor com a ID FCC: SH6MDBT42Q

**Especificações técnicas**

| Smart BatteryProtect                 | SBP 48   100   |   |
|--------------------------------------|--|---|
| Corrente de carga cont. máxima       | 100 A  |   |
| Corrente de pico                     | 250 A  |   |
| Intervalo de tensão de funcionamento | 24 V - 70 V  |   |
| Consumo de corrente                  | BLE on   | Ligado: 1,9 mA                              |
|                                      | BLE apagado  | Desligado ou corte por baixa tensão: 1,7 mA |
|                                      |  | Ligado: 1,7 mA                              |
|                                      | Desligado ou corte por baixa tensão: 1,6 mA                      |   |
| Atraso de saída do alarme            | 12 s   |   |
| Carga máxima na saída de alarme      | 50 mA (à prova de curto-circuito)                                |   |
| Atraso de desconexão da carga        | 90 s (imediatamente com ativação por VE.Bus BMS)                 |   |
| Limiares por defeito                 | Desativação: 42 V Ativação: 48 V                                 |   |
| Temperatura de funcionamento         | Carga total: -40 °C a +40 °C (até 60 % de carga nominal a 50 °C) |   |
| Ligação                              | M8   |   |
| Torque de montagem                   | 9 Nm   |   |
| Peso                                 | 0,8 kg 1,8 lb  |   |
| Dimensões (al x la x pr em mm)       | 62 mm x 123 mm x 120 mm<br>2,5 in x 4,9 in x 4,8 in              |   |

**Esquema de ligações exemplificativo**



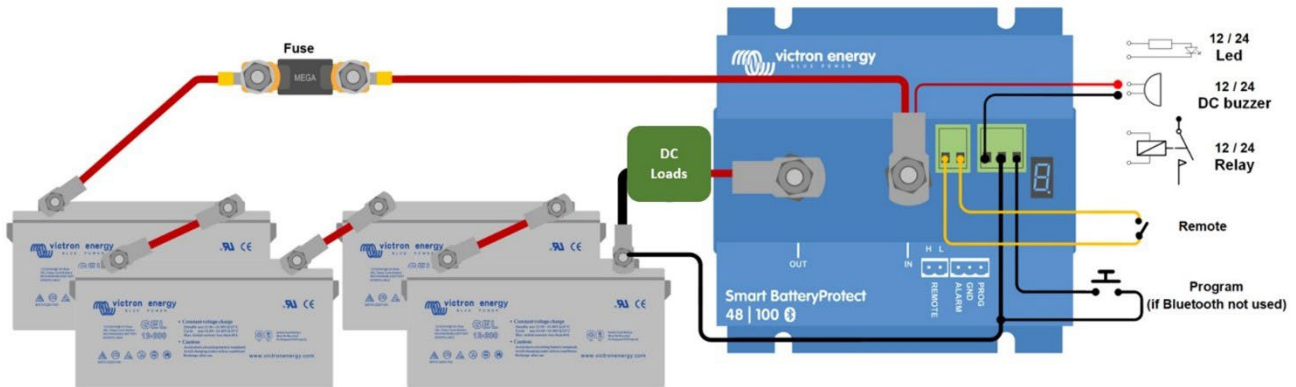


Figura 1 Esquema de ligações do SBP 48|100  
(use a entrada remota para a funcionalidade de ligar/desligar do sistema)

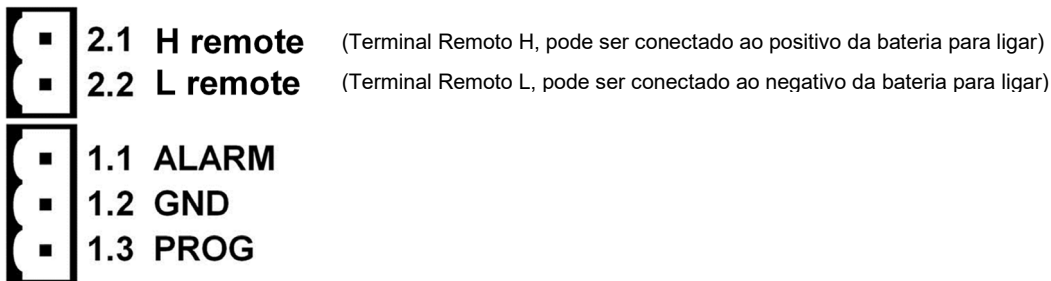


Figura 2: Esquema de ligações e numeração de pinos

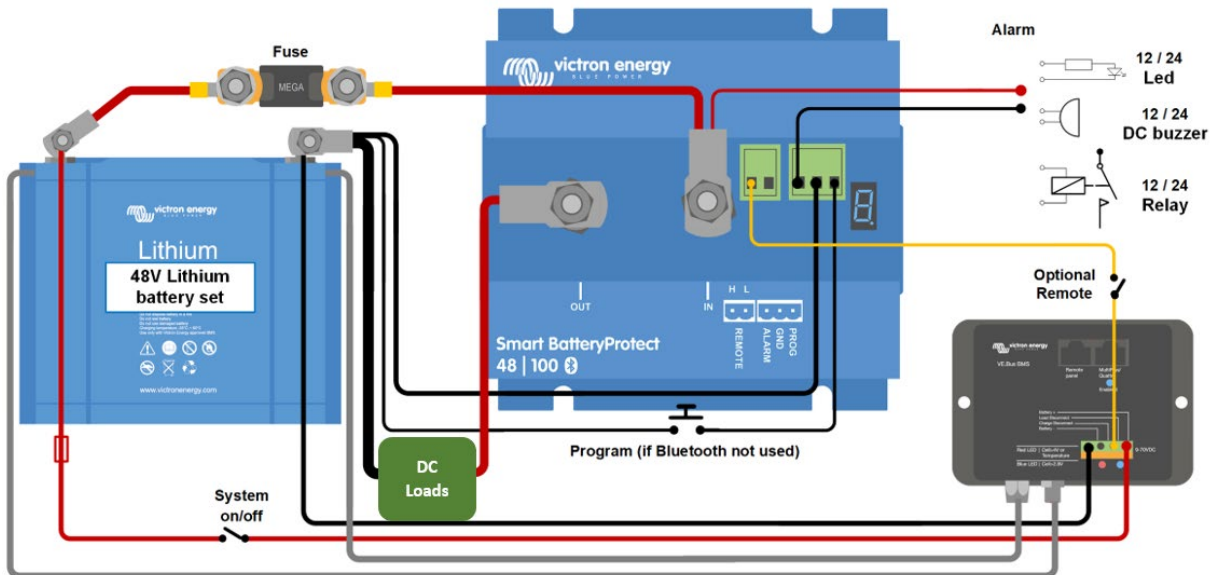


Figura 3: Sistema com conjunto de bateria Li-ion 48 V  
(aplicável com VE.Bus BMS ou smallBMS)

Nota: No modo Li-ion, o SBP será desativado quando a entrada H ficar em flutuação livre e permanecerá desativado durante 30 s, mesmo se receber um sinal de reativação neste período. Após 30 s responderá imediatamente a um sinal de reativação. Deste modo, normalmente não haverá um tempo de espera se o SBP for usado como um interruptor de ligar/desligar do sistema (utilize o interruptor de ligar/desligar do sistema na alimentação positiva do BMS com esta finalidade).

Da mesma forma, se o encerramento do sistema ocorrer devido a tensão baixa nas células, o SBP vai permanecer desativado durante 30 s, mesmo se receber um sinal de reativação nesse período (o que ocorrerá se não houver mais cargas ligadas à bateria). Após três tentativas de reativação, o SBP vai permanecer desativado até a tensão da bateria superar 52 V durante pelo menos 30 s (o que indica que a bateria está a ser recarregada). O limiar de subtensão e a saída de alarme do SBP estão desativados neste modo.

Para reiniciar manualmente, desconectar brevemente e reconectar o terminal de ligar/desligar remoto ou ligar ou desligar de novo BMS.

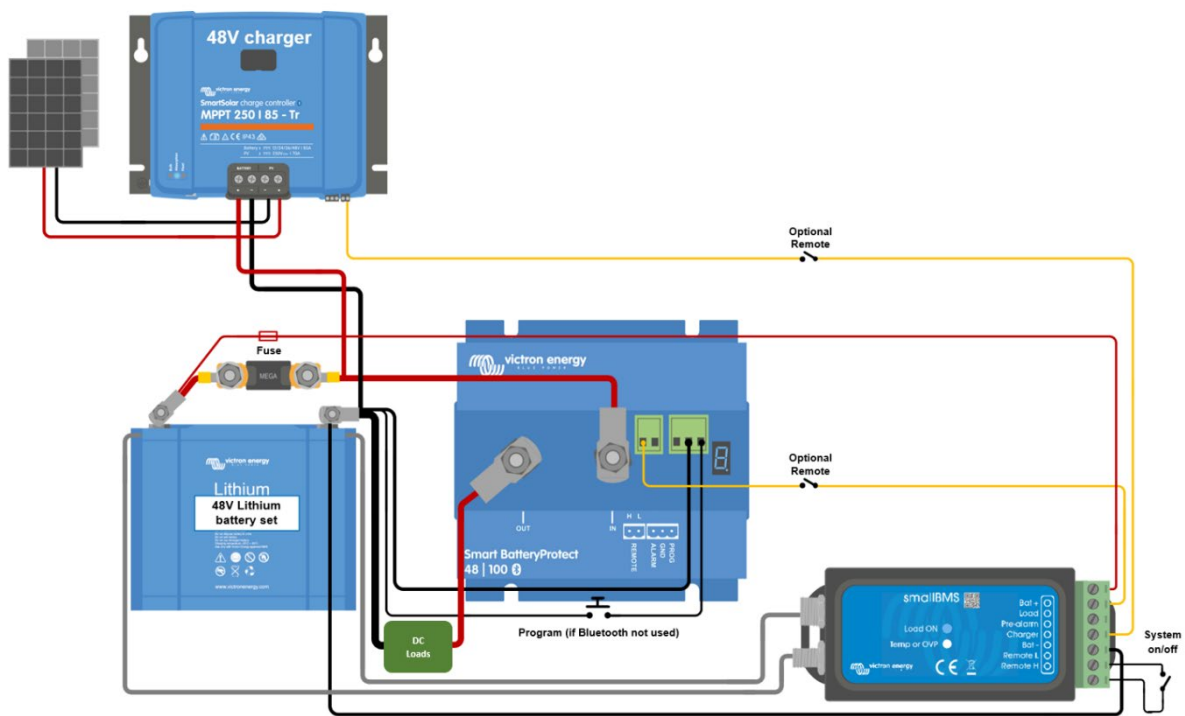


Figura 4: Sistema solar CC com bateria de lítio (aplicável com VE.Bus BMS ou smallBMS)

**Cuidado:** a corrente inversa descontrolada vai fluir através de um Smart BatteryProtect se  $V_{out} > V_{in}$ . Portanto não deve usar um Smart BatteryProtect no carregamento de bateria para bateria.



## APÊNDICE

### Erro / Códigos de Advertência

#### E0: Falha de calibração

Anomalia interna - falha / falta de dados de calibração



Contactar o distribuidor para obter assistência – A anomalia não pode ser corrigida pelo utilizador e o SBP tem de ser substituído

#### E1: Curto-circuito

A proteção de curto-circuito é ativada na eventualidade de um curto-circuito, de uma condição de sobrecarga ou de uma corrente de irrupção excessiva, como ocorre ao tentar alimentar diretamente um inversor



1. Verifique se existe uma condição de curto-circuito potencial
2. Confirme que o consumo da corrente de carga não supera a corrente nominal do SBP
3. Utilize o SBP para controlar o interruptor de ligar/desligar remoto com correntes de irrupção elevadas, em vez da alimentação direta / desconexão da fonte de alimentação
4. Comprove a existência de ligações soltas / elevada resistência e certifique-se de que utiliza uma cablagem com o calibre correto na instalação

#### P2: Aviso de sobreaquecimento

**Intervenção urgente necessária para evitar a desconexão da carga**

Temperatura interna próximo do limite. A proteção de sobreaquecimento será ativada se a temperatura continuar a subir

#### E2: Sobreaquecimento

A proteção de sobreaquecimento é ativada em caso de temperatura interna excessiva



1. Confirme que o consumo da corrente de carga não supera a corrente nominal do SBP
2. Inspeccione a existência de ligações soltas / elevada resistência e certifique-se de que utiliza uma cablagem com o calibre correto na instalação
3. Não instale a unidade SBP num local exposto a elevada temperatura ou calor radiante; reposicione o SBP num local mais fresco ou disponibilize um mais arrefecimento ativo

#### P3: Aviso de subtensão

**Intervenção urgente necessária para evitar a desconexão da carga**

A proteção de subtensão será ativada em 90 s se não for realizada qualquer ação

#### E3: Subtensão

A proteção de subtensão é ativada se a tensão de entrada for inferior ao limite de subtensão selecionado durante 90 s



1. Desligue / desconecte as cargas e recarregue a bateria
2. Comprove o bom funcionamento do sistema de carregamento e da bateria

#### E4: Sobretensão

A proteção de sobretensão é ativada no caso de a tensão de entrada superar 64 V



1. Confirme a configuração de todos os dispositivos de carregamento no sistema, em particular as definições da tensão do sistema e da tensão de carregamento
2. Comprove o bom funcionamento do sistema de carregamento
3. Confirme que a tensão do sistema SBP é correta

#### E5: Falha de configuração

Anomalia interna - falha / falta de dados de configuração



- Para recuperar o SBP desta condição;
1. Restaure as predefinições de fábrica da unidade em - Configurações > Mais opções > Repor predefinições
  2. Desconecte a alimentação e aguarde 3 min antes de voltar a ligar
  3. Reconfigure a unidade conforme necessário

#### E6: Anomalia da tensão de referência

Anomalia interna - falha / falta de tensão de referência



Contactar o distribuidor para obter assistência – A anomalia não pode ser corrigida pelo utilizador e o SBP tem de ser substituído

#### E7: Bloqueio BMS

A proteção de bloqueio BMS é ativada caso o BMS externo solicite ao SBP que desacople e volte a reacoplar três vezes consecutivas (comportamento típico durante um corte devido a baixa tensão da célula)

Quando E7 estiver ativado, o SBP vai permanecer desacoplado até que a tensão de entrada supere 52 V



1. Verifique os códigos de erro/registo do BMS para identificar a causa do corte e solucione o problema
2. Desligue / desconecte as cargas e recarregue a bateria
3. Verifique a cablagem entre o BMS e o terminal do SBP Remoto
4. Comprove o bom funcionamento do BMS

#### E8: Corrente invertida

A proteção de corrente invertida é ativada caso seja detetado um fluxo de corrente invertido

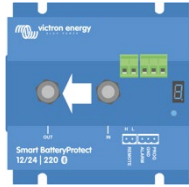
**CUIDADO: O SBP foi concebido para permitir ou prevenir o fluxo de corrente dos terminais IN (entrada) para OUT (saída) APENAS. Um fluxo de corrente invertido é estritamente proibido e pode danificar o SBP de forma permanente.**



1. Certifique-se de que a orientação da instalação SBP está correta, o fluxo de corrente deve ser de IN para OUT (consulte os diagramas de ligação exemplificativos)
2. Confirme se não liga inadvertidamente fontes de carregamento ao circuito/terminal OUT do SBP
3. Se o SBP for utilizado para desconectar uma fonte de carregamento, certifique-se de que as cargas não são ligadas inadvertidamente ao circuito/terminal IN do SBP

**Instalación**

- El Smart BatteryProtect (SBP) deberá instalarse en una zona bien ventilada y preferiblemente cerca de la batería (50 cm como máximo), pero no sobre ella, para evitar los posibles gases corrosivos que desprende! **La caída de tensión provocada por un cable de sección inferior a la adecuada o por su excesiva longitud entre el positivo de la batería y el SBP puede dar lugar a una alarma de cortocircuito al iniciarse la carga, o a una desconexión inesperada.**
- Debe insertarse un fusible de tamaño apropiado, de acuerdo con las normativas locales, en el cable entre la batería y el SBP.
- El SBP está diseñado para que la corriente fluya sólo desde el terminal IN (batería) hasta el terminal OUT (carga). Las corrientes inversas que fluyan desde el terminal OUT hasta el terminal IN están estrictamente prohibidas, ya que dañarán el dispositivo. Si quiere utilizar el SBP como desconexión para una fuente de carga, deberá orientar la unidad en el sistema de forma que la corriente fluya en la dirección deseada, IN hacia OUT.
- La protección contra cortocircuitos del SBP se desactivará si intenta conectar directamente cargas con condensadores en sus entradas (p.ej. inversores). Para este tipo de uso, utilice el SBP para controlar el interruptor On/Off remoto en el inversor, en vez de desconectar el cable de alimentación CC más alto.
- Utilice un cable de 1,5 mm<sup>2</sup> (incluido) para la conexión GND, que debe estar conectado directamente al terminal negativo de la batería (o al chasis de un vehículo). No deberá conectar ningún otro dispositivo a este cable.
- El SBP detecta automáticamente la tensión del sistema **una sola vez** durante el arranque inicial. Durante la detección de la tensión, la pantalla de 7 segmentos muestra una serie de parpadeos entre la parte superior y la inferior.
- No conecte la salida de la carga hasta que el SBP esté completamente programado.
- Se puede conectar un interruptor On/Off remoto entre «Remote H» y «Remote L» (ver figura 1). Alternativamente, el terminal H se puede poner más alto (en el polo positivo de la batería), o el terminal L se puede poner más bajo (en el polo negativo de la batería).
- Puede conectarse una señal acústica, LED o relé entre el terminal de la salida de alarma y el polo positivo de la batería (véase la figura 1). Carga máxima sobre la salida de alarma: 50 mA (a prueba de cortocircuitos).


**Eventos de desconexión de carga y opciones de salida de alarma**

Modo se señal acústica o LED (señal acústica o LED conectado a la salida de alarma):

- En caso de subtensión, se iniciará una alarma continua después de 12 segundos. El SBP desconectará la carga tras 90 segundos y la alarma se detendrá. Lapso de reconexión: 30 segundos.
- En caso de sobretensión, la carga se desconectará inmediatamente y permanecerá encendida una alarma intermitente hasta que se haya corregido el problema de sobretensión. No hay lapso de reconexión.

Modo relé (relé conectado a la salida de alarma):

- En caso de subtensión, el relé se conectará después de 12 segundos. El SBP desconectará la carga tras 90 segundos y el relé se desconectará.
- En caso de sobretensión, la carga se desconectará inmediatamente y la salida de alarma permanecerá inactiva. Umbral de sobretensión: 65,2 V

Modo Li-Ion

- Conectar la salida de desconexión de carga por baja tensión del BMS del VE.Bus a «Remote H». La carga se desconecta inmediatamente cuando la salida de carga por baja tensión del BMS del VE.Bus conmuta de «high» (alto) a «free floating» (flotante) (debido a la subtensión, sobretensión o exceso de temperatura de las celdas de la batería). Los umbrales de subtensión y la salida de alarma de SBP están inactivos en este modo.

**Funcionamiento**

Hay 9 modos de error y 2 modos de advertencia, que se indican en la pantalla de 7 segmentos y en VictronConnect a través de un teléfono inteligente o tableta con Bluetooth:

- E 1 Detección de cortocircuito
- E 2 Sobrecarga o sobrecalentamiento / P2 aviso por sobrecalentamiento
- E 3 Subtensión / P3 aviso por subtensión
- E 4 Sobretensión
- E 5 Fallo de configuración
- E 6 Fallo de tensión de referencia
- E 7 Bloqueo del BMS

Pasados 5 minutos, el error ya no se muestra para reducir el consumo de corriente.

En el Apéndice puede consultar más información sobre cada error.

El punto decimal de la pantalla de 7 segmentos se utiliza para la indicación del estado:

- Encendido fijo: el SBP intenta activar la salida
- Parpadeo cada 5 s: la salida está activa
- Parpadeo cada 2 s en el modo Li-Ion: «connecting» (conectando) la salida

Control remoto y cortocircuito

- El SBP conectará la carga 1 segundo después de cerrar el contacto remoto.
- El SBP desconectará la carga inmediatamente cuando se abra el contacto remoto.
- Cuando esté en modo ion litio, SBP entrará en un periodo de inactividad de 30 segundos una vez que la entrada remota de SBP haya entrado en flotación. Se puede ver una descripción detallada bajo la figura 4.
- En caso de cortocircuito, el SBP intentará conectar la carga cada 5 segundos. Tras dos intentos, la pantalla mostrará E 1 (detección de cortocircuito).

**Programación**

Cuando está apagado (remoto abierto), El SBP puede programarse conectando el pin PROG a la toma de tierra. También se puede programar en un teléfono inteligente o tableta con Bluetooth a través de VictronConnect

La pantalla de 7 segmentos se saltará la desconexión y reiniciará las tensiones. Desconecte el pin PROG cuando se muestre la tensión deseada.

La pantalla confirmará la tensión elegida y el modo por defecto (A) en dos ocasiones.

Vuelva a conectar el pin PROG a la toma de tierra si otro modo (b o C) fuese necesario. Desconectar cuando se muestre el modo requerido.

La pantalla confirmará la tensión elegida y el modo en dos ocasiones.

El código PIN puede restablecerse seleccionando la opción P. La información de enlace debe eliminarse si se selecciona esta opción. El Bluetooth puede desactivarse/reactivarse con la aplicación VictronConnect o seleccionando F (activar) o h (desactivar). Véase la tabla siguiente:

**Tabla de programación**

| Pantalla de 7 segmentos | Subtensión de desconexión Sistema de 48 V      | Reinicio de subtensión Sistema de 48 V |
|-------------------------|--|--|
| 0                       | 42 V   | 48 V                                   |
| 1                       | 40 V   | 46 V                                   |
| 2                       | 38 V   | 46 V                                   |
| 3                       | 45 V   | 53 V                                   |
| 4                       | 46 V   | 55,2 V                                 |
| 5                       | 42 V   | 51,2 V                                 |
| 6                       | 46 V   | 51,2 V                                 |
| 7                       | 47,2 V   | 51,2 V                                 |
| B                       | 48 V   | 52 V                                   |
| 9                       | 40 V   | 52,8 V                                 |
| -                       | Ajustes definidos por el usuario con Bluetooth |  |
| A                       | Modo de señal acústica o LED                   |  |
| b                       | Relay mode (Modo relé)                         |  |
| C                       | Modo Li-Ion                                    |  |
| F                       | Activa Bluetooth                               |  |
| h                       | Desactiva Bluetooth                            |  |
| P                       | Restablecer código PIN                         |  |

Este dispositivo cumple el apartado 15 de las normas de la FCC.

Su funcionamiento está sujeto a las dos condiciones siguientes:

- este dispositivo no debe generar interferencias perjudiciales, y
- este dispositivo debe aceptar cualquier interferencia recibida, incluidas aquellas que puedan provocar un funcionamiento no deseado.

**Advertencia (apartado 15.21)**

Los cambios o modificaciones realizados sin la aprobación expresa del responsable de cumplimiento podrían anular la autorización del usuario para operar el equipo.

**Información para el usuario (apartado 15.105b)**

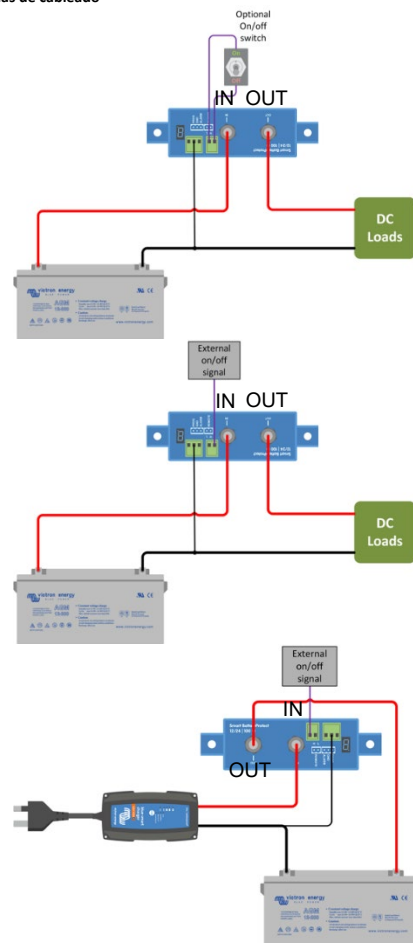
Nota: Este equipo se ha probado y se ha comprobado que cumple con los límites de un dispositivo digital de Clase B de conformidad con el apartado 15 de las normas de la FCC. Estos límites están diseñados para proporcionar una protección razonable frente a interferencias perjudiciales en una instalación residencial. Este equipo genera, utiliza y puede emitir energía de radiofrecuencia y si no se instala y usa de conformidad con las instrucciones, puede producir interferencias adversas para las comunicaciones por radio. Sin embargo, no se puede garantizar que no se vayan a producir interferencias en una determinada instalación. Si este equipo produce interferencias perjudiciales para la recepción de radio o televisión, lo que puede comprobarse encendiendo y apagando el equipo, se recomienda al usuario que intente corregirlas mediante una o varias de las siguientes medidas:

- Reoriente o recolocque la antena de recepción.
- Aumente la separación entre el equipo y el receptor.
- Conecte el equipo a un enchufe que esté en un circuito distinto de aquel al que esté conectado el receptor.
- Consulte a su distribuidor o a un técnico de radio y televisión con experiencia para que le ayude.

Este dispositivo cuenta con un transmisor con identificación de la FCC: SH6MDBT42Q

**Especificaciones**

| Smart BatteryProtect                 | SBP 48 100   |
|--------------------------------------|--|
| Corriente de carga cont. máxima      | 100 A  |
| Pico de corriente                    | 250 A  |
| Rango de tensión de trabajo          | 24 – 70 V  |
| Consumo de corriente                 | Encendido: 1,9 mA  |
|                                      | Apagado o desconectado por baja tensión: 1,7 mA                          |
| Retardo de salida de alarma          | Encendido: 1,7 mA  |
|                                      | Apagado o desconectado por baja tensión: 1,6 mA                          |
| Retardo de desconexión de la carga   | 12 segundos  |
| Carga máx. sobre la salida de alarma | 50 mA (a prueba de cortocircuitos)                                       |
| Umbral de desconexión de la carga    | 90 segundos (inmediato si se activa mediante el BMS del VE.Bus)          |
| Umbral de defecto                    | Desconexión: 42 V Conexión: 48 V   |
| Rango de temperatura de trabajo      | Carga completa: -40 °C a +40 °C (hasta el 60 % de carga nominal a 50 °C) |
| Conexión                             | M8   |
| Par de montaje                       | 9 Nm   |
| Peso                                 | 0,8 kg. 1,8 lbs  |
| Dimensiones (al x an x p)            | 62 x 123 x 120 mm<br>2,5 x 4,9 x 4,8 pulgadas                            |

**Ejemplos de diagramas de cableado**


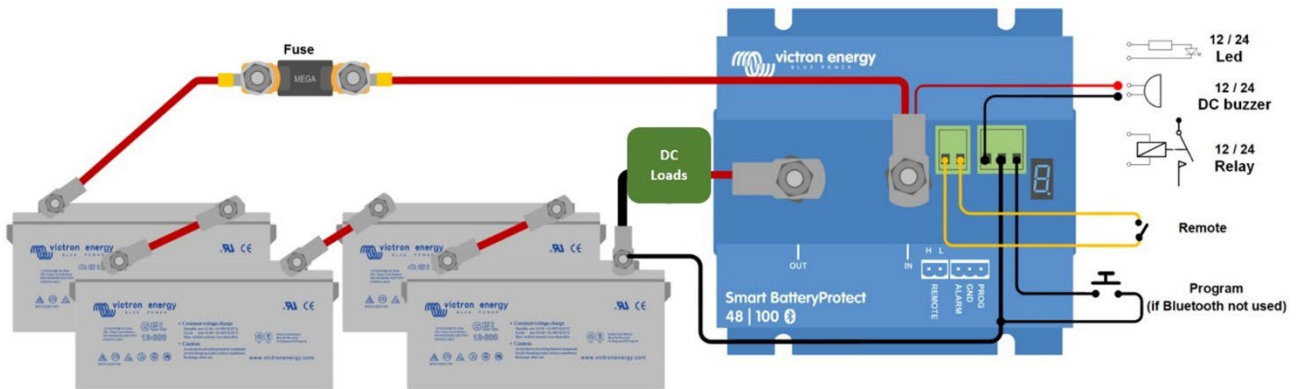


Figura 1 Diagrama de conexión del SBP 48|100 (use la entrada remota para la función on/off del sistema)

- 2.1 H remote (Terminal H remoto, puede conectarse al positivo de la batería para encenderse)
- 2.2 L remote (Terminal L remoto, puede conectarse al negativo de la batería para encenderse)
- 1.1 ALARM
- 1.2 GND
- 1.3 PROG

Figura 2: Diagramas de conexión y numeración de pines

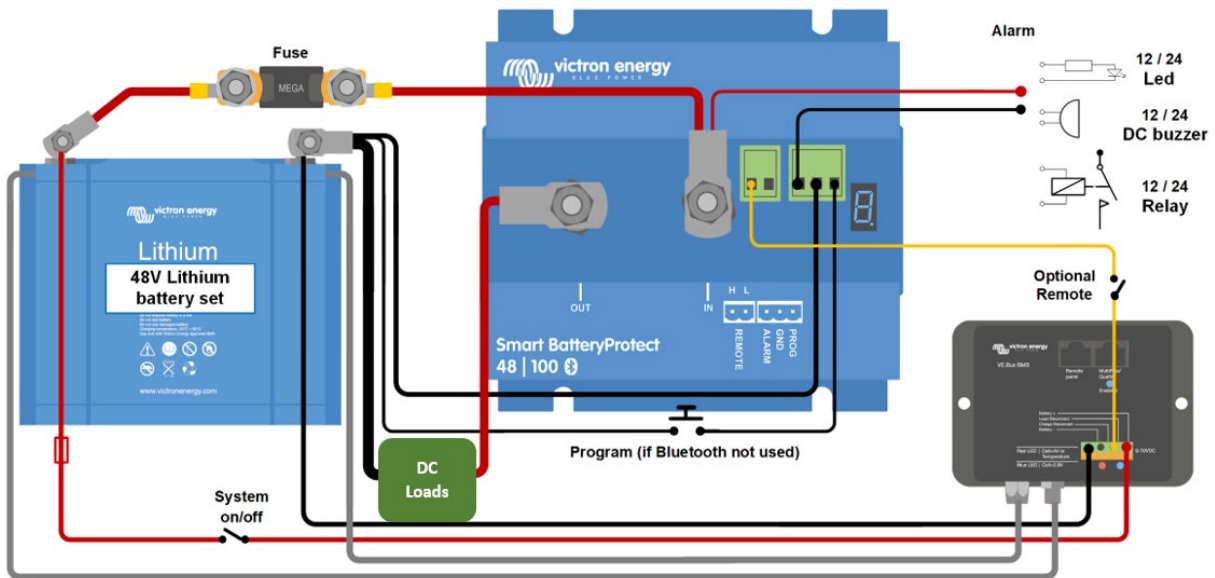


Figura 3: Sistema con conjunto de baterías de 48 V de iones de litio (aplicable con VE.Bus BMS o smallBMS)

Nota: Cuando esté en modo ion litio, SBP se desconectará cuando la entrada H entre en flotación y permanecerá desconectada durante 30 segundos incluso si recibe una señal de reactivación durante ese periodo de tiempo. Transcurridos esos 30 segundos, responderá inmediatamente a la señal de reactivación. Por lo tanto, normalmente no habrá tiempo de espera si el SBP se usa como interruptor on-off del sistema (use el interruptor on/off del sistema en el suministro positivo de la fuente de alimentación del BMS para este fin). Del mismo modo, si se apaga el sistema por una baja tensión en las celdas, SBP permanecerá desactivado durante 30 segundos incluso si recibe una señal de reactivación durante ese periodo de tiempo (lo que ocurrirá si no hay otras cargas conectadas a la batería). Tras tres intentos de reactivación, SBP permanecerá desactivado hasta que la tensión de la batería aumente por encima de 52V durante al menos 30 segundos (lo que es señal de que la batería se está recargando). Los umbrales de subtensión y la salida de alarma del SBP están inactivos en este modo. Para arrancarlo de nuevo manualmente, desconecte y vuelva a conectar el terminal on/off remoto o apague y vuelva a encender el BMS.

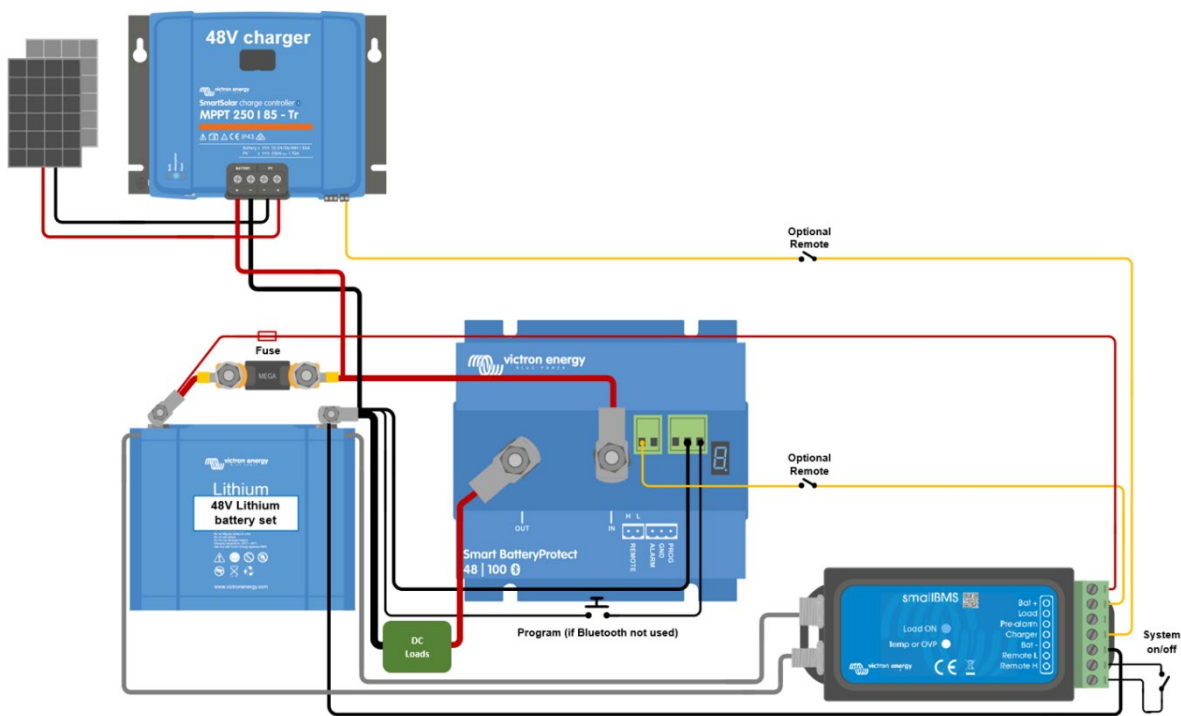


Figura 4: Sistema solar CC con batería de litio (aplicable con VE.Bus BMS o smallBMS)

**Precaución:** fluirá una corriente inversa no controlada a través del Smart BatteryProtect si  $V_{out} > V_{in}$ . Por lo tanto, nunca utilice un Smart BatteryProtect para cargar de batería a batería.

## APÉNDICE

### Códigos de error/advertencia

#### E0: Fallo de calibración

Fallo de calibración - error en los datos/faltan datos de calibración



Póngase en contacto con el distribuidor para recibir asistencia – Este fallo no lo puede corregir el usuario y es necesario sustituir el SBP

#### E1: Cortocircuito

La protección contra cortocircuitos se activa en caso de cortocircuito, sobrecarga o corriente de irrupción excesiva - como cuando se intenta encender directamente un inversor



1. Compruebe si hay una posible condición de cortocircuito
2. Confirme que la extracción de corriente de carga no supera el valor nominal de la corriente de SBP
3. Use el SBP para controlar el interruptor remoto on/off con cargas con altas corrientes de irrupción, en vez de encender/desconectar directamente la alimentación CC
4. Revise si hay conexiones sueltas/con alta resistencia y compruebe que la instalación cuenta con cableado del calibre adecuado

#### P2: Aviso de temperatura excesiva

**Se necesita una intervención urgente para evitar la desconexión**

Temperatura interna cercana al límite. La protección frente a temperatura excesiva se activará si la temperatura se sigue elevando

#### E2: Sobretemperatura

La protección contra sobretemperatura se activa en el caso de que la temperatura interna sea excesiva



1. Confirme que la extracción de corriente de carga no supera el valor nominal de la corriente de SBP
2. Revise si hay conexiones sueltas/con alta resistencia y compruebe que la instalación cuenta con cableado del calibre adecuado
3. No instale la unidad SBP en un lugar expuesto a altas temperaturas o calor radiante, mueva el SBP a un lugar más fresco o proporcione refrigeración activa adicional

#### P3: Aviso de baja tensión

**Se necesita una intervención urgente para evitar la desconexión**

La protección contra la tensión baja se activará en un plazo de 90 segundos si no se hace nada

#### E3: Tensión baja

La protección contra la tensión baja se activa cuando la tensión de entrada cae durante 90 segundos por debajo del límite de tensión inferior seleccionado



1. Apague/desconecte las cargas y recargue la batería
2. Compruebe que el sistema de carga y la batería funcionan correctamente

#### E4: Tensión alta

La protección frente a la tensión alta se activa en el caso de que la tensión de entrada supere los 64 V



1. Confirme la configuración de todos los dispositivos de carga del sistema, en particular los ajustes de tensión del sistema y tensión de carga
2. Compruebe que el sistema de carga funciona correctamente
3. Compruebe que la configuración de la tensión del sistema SBP es correcta

#### E5: Fallo de configuración

Fallo interno - error en los datos /faltan datos de configuración



Para solucionar esta situación en el SBP:

1. Restablezca los valores de fábrica de la unidad en Configuración > Más opciones > Restablecer valores predeterminados
2. Desconecte toda la alimentación y espere tres minutos antes de volver a conectarla
3. Vuelva a configurar la unidad según proceda

#### E6: Fallo de la tensión de referencia

Fallo interno - error/faltan datos de la tensión de referencia



Póngase en contacto con el distribuidor para recibir asistencia – Este fallo no lo puede corregir el usuario y es necesario sustituir el SBP

#### E7: Bloqueo del BMS

La protección frente a bloqueo del BMS se activa en el caso de que el BMS externo solicite al SBP que se desconecte y se conecte consecutivamente 3 veces (esto suele suceder cuando se apaga debido a la baja tensión de las celdas)

Una vez que se activa el E7, el SBP permanecerá desconectado hasta que la tensión de entrada supere los 52 V



1. Revise los códigos de error/registro del BMS para identificar la causa del apagado y corrija el problema
2. Apague/desconecte las cargas y recargue la batería
3. Revise el cableado entre el BMS y el terminal remoto SBP
4. Compruebe que el BMS funciona correctamente

#### E8: Corriente inversa

La protección frente a corriente inversa se activa en caso de que se detecte un flujo de corriente inversa

**PRECAUCIÓN: El SBP está diseñado para permitir o impedir el flujo de corriente desde terminales IN a OUT SOLAMENTE. El flujo de corriente inversa está terminantemente prohibido y puede dañar permanentemente el SBP.**



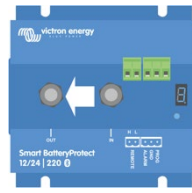
1. Compruebe que la orientación de la instalación del SBP es correcta - el flujo de corriente debe ir de IN a OUT (consulte los diagramas de cableado de ejemplo)
2. Confirme que no se hayan conectado accidentalmente fuentes de carga al terminal/circuito OUT del SBP
3. Si se usa el SBP para desconectar una fuente de carga, compruebe que no se hayan conectado accidentalmente cargas al terminal/circuito IN del SBP



**Smart BatteryProtect 48/100**  
ITALIANO

**Installazione**

- Il Smart BatteryProtect (SBP) deve essere installato in luogo ben ventilato e il più possibile vicino alle batterie (max 50 cm, ma non installare al di sopra della batteria, per via del possibile sviluppo di gas corrosivi!). **La caduta di tensione su un cavo lungo o sottodimensionato fra il più della batteria e il SBP può risultare in un allarme di corto circuito quando si avvia il carico o in un spegnimento imprevisto.**
- Occorre inserire un fusibile della giusta dimensione, in base alle normative locali, nel cavo fra la batteria e il BP.
- Il SBP è progettato per consentire alla corrente di scorrere solamente dal morsetto IN (batteria) al morsetto OUT (carico). Le correnti inverse, dal morsetto OUT al morsetto IN, sono severamente proibite, giacché danneggiano il dispositivo. Se si vuole usare il SBP come disconnessione per una fonte di carico, si deve orientare l'unità nel sistema, in modo che la corrente scorra nella direzione prevista, da IN a OUT.
- La protezione contro cortocircuito del SBP si attiverà se si tenta di collegare direttamente carichi con condensatori alla loro entrata (ad es., inverter). In questo caso, si prega di utilizzare il SBP per controllare l'interruttore on/ off remoto dell'inverter, invece di scollegare la linea di alta potenza in CC.
- Usare un cavo di 1,5 mm<sup>2</sup> (incluso) per la connessione del GND, che dovrebbe essere collegato direttamente al morsetto negativo della batteria (o al telaio di un veicolo). Non collegare altre apparecchiature a questo cavo.
- Il SBP rileva automaticamente la tensione del sistema **una sola volta** durante l'avvio. Durante il rilevamento di tensione, il display a 7 segmenti visualizza una serie di lampeggiamenti nella parte superiore e inferiore.
- Non collegare l'uscita del carico finché il SBP non sia stato programmato completamente.
- Si può collegare un interruttore on/ off remoto fra H remoto e L remoto (vedere figura 1). In alternativa, si può girare il morsetto H su alto (sul più della batteria) o girare il morsetto L su basso (sul meno della batteria).
- Un cicalino, LED o relè possono essere collegati fra il morsetto di uscita dell'allarme e il polo positivo della batteria (vedere figura 1). Carico max sull'emissione dell'allarme: 50 mA (resistente a corto circuito).



**Eventi di scollegamento del carico e opzioni di emissione dell'allarme**

- Cicalino o modalità LED (cicalino o LED connessi all'emissione dell'allarme):
- In caso di sottotensione, viene attivato un allarme continuo dopo 12 secondi. Il SBP scollegerà il carico dopo 90 secondi e l'allarme si arresterà. Ritardo di riconnessione: 30 secondi.
  - In caso di sovratensione, il carico sarà scollegato immediatamente e un allarme intermittente rimarrà attivato finché il problema di sovratensione non sia stato corretto. Non è presente ritardo di riconnessione.
- Modalità relè (relè connesso all'emissione dell'allarme):
- In caso di sottotensione, il relè verrà attivato dopo 12 secondi. Il SBP scollegerà il carico dopo 90 secondi e il relè sarà disattivato.
  - In caso di sovratensione, il carico sarà scollegato immediatamente e l'emissione dell'allarme rimarrà inattiva. Livello del ciclo di sovratensione: 65,2 V
- Modalità Li-ion:
- Collegare l'emissione di disconnessione del carico del VE.Bus BMS al morsetto remoto H. Il carico è scollegato immediatamente quando l'emissione di disconnessione del carico del VE.Bus BMS passa da "high" a "free floating" (a causa della sottotensione, sovratensione o sovratemperatura della cella della batteria). Le soglie di sottotensione e l'emissione dell'allarme del SBP sono inattive in questa modalità.

**Funzionamento**

Esistono 9 modalità di errore e 2 modalità di avvertimento, indicate da 7 segmenti del display e in VictronConnect, se si utilizza uno smartphone o tablet con connessione Bluetooth:

- E 1 Corto circuito individuato
- E 2 Avviso di sovraccarico o sovratemperatura / sovratemperatura P2
- E 3 Avviso di sottotensione / sottotensione P3
- E 4 Sovratemperatura
- E 5 Impostazioni Difettose
- E 6 Tensione di Riferimento Difettosa
- E 7 Blocco BMS

Trascorsi 5 minuti, l'errore non sarà più visualizzato per ridurre il consumo di corrente.

Vedere l'Appendice per ulteriori informazioni su ogni errore.

Il punto decimale del display a 7 segmenti è usato per l'indicazione dello stato:

- Fisso: il SBP cerca di attivare l'emissione
- Lampeggia ogni 5 secondi: l'emissione è attiva
- Lampeggia ogni 2 secondi in modalità Li-ion: emissione in "connessione"

**Controllo remoto e corto circuito**

- Il SBP collegherà il carico 1 secondo dopo aver chiuso il contatto remoto.
- Il SBP scollegerà il carico non appena il contatto remoto è aperto.
- Quando il SBP si trova in modalità Li-ion, rimarrà inattivo per 30 secondi dopo che l'ingresso remoto del SBP sia diventato "free floating". Vedere la nota sotto la figura 4 per una descrizione particolareggiata.
- In caso di corto circuito, il SBP cercherà di collegare il carico ogni 5 secondi. Dopo due tentativi, il display visualizzerà E1 (corto circuito rilevato).

**Programmazione**

Quando è spento (apertura remota), il SBP può essere programmato collegando il pin PROG alla terra. In alternativa, può essere programmato mediante uno smartphone o un tablet provvisto di Bluetooth, mediante VictronConnect.

Il display a 7 segmenti passerà prima attraverso le tensioni di chiusura e riavvio. Scollegare il pin PROG quando viene visualizzata la tensione desiderata.

Il display confermerà la tensione scelta e la modalità predefinita (R) due volte.

Ricollegare il pin PROG alla terra se è richiesta un'altra modalità (b o C). Scollegare quando è visualizzata la modalità richiesta.

Il display confermerà la tensione scelta e la modalità due volte.

Il codice PIN può essere ripristinato selezionando l'opzione P. **Le informazioni sul collegamento devono essere rimosse dopo aver selezionato questa opzione.** Il Bluetooth può essere disattivato/riattivato mediante la app VictronConnect o selezionando F (attiva) o h (disattiva). Vedere la tabella seguente:

**Tabella di programmazione**

| Display a 7 segmenti | Chiusura di sottotensione Sistema 48 V               | Riavvio in sottotensione Sistema 48 V |
|----------------------|--|---------------------------------------|
| 0                    | 42 V   | 48 V                                  |
| 1                    | 40 V   | 46 V                                  |
| 2                    | 38 V   | 46 V                                  |
| 3                    | 45 V   | 53 V                                  |
| 4                    | 46 V   | 55,2 V                                |
| 5                    | 42 V   | 51,2 V                                |
| 6                    | 46 V   | 51,2 V                                |
| 7                    | 47,2 V   | 51,2 V                                |
| 8                    | 48 V   | 52 V                                  |
| 9                    | 40 V   | 52,8 V                                |
| -                    | Impostazioni definite dall'utente mediante Bluetooth |                                       |
| R                    | Cicalino o modalità LED                              |                                       |
| b                    | Modalità relè  |                                       |
| C                    | Modalità Li-ion                                      |                                       |
| F                    | Attiva Bluetooth                                     |                                       |
| h                    | Disattiva Bluetooth                                  |                                       |
| P                    | Reimposta codice PIN                                 |                                       |

Questo dispositivo è conforme alla parte 15 delle norme FCC.

Il funzionamento è soggetto alle due seguenti condizioni:

- questo dispositivo non deve causare interferenze dannose, e
- questo dispositivo deve accettare qualsiasi interferenza ricevuta, comprese quelle che possono causare un funzionamento indesiderato.

**Avviso (parte 15.21)**

Cambiamenti o modifiche non espressamente approvati dal responsabile della conformità possono invalidare l'autorizzazione dell'utente a utilizzare l'apparecchiatura.

**Informazioni all'utente (parte 15.105b)**

*Nota:* Questa apparecchiatura è stata testata ed è risultata conforme ai limiti previsti per i dispositivi digitali di Classe B, ai sensi della parte 15 delle norme FCC. Questi limiti sono concepiti per fornire una ragionevole protezione contro le interferenze dannose in un impianto residenziale. Questa apparecchiatura genera, utilizza e può irradiare energia a radiofrequenza e, se non viene installata e utilizzata secondo le istruzioni, può causare interferenze dannose alle comunicazioni radio. Tuttavia, non è possibile garantire che non si verifichino interferenze in un particolare impianto. Se questa apparecchiatura causa interferenze dannose alla ricezione radiotelevisiva, che possono essere determinate spegnendo e riaccendendo l'apparecchiatura, l'utente è invitato a cercare di correggere l'interferenza adottando una o più delle seguenti misure:

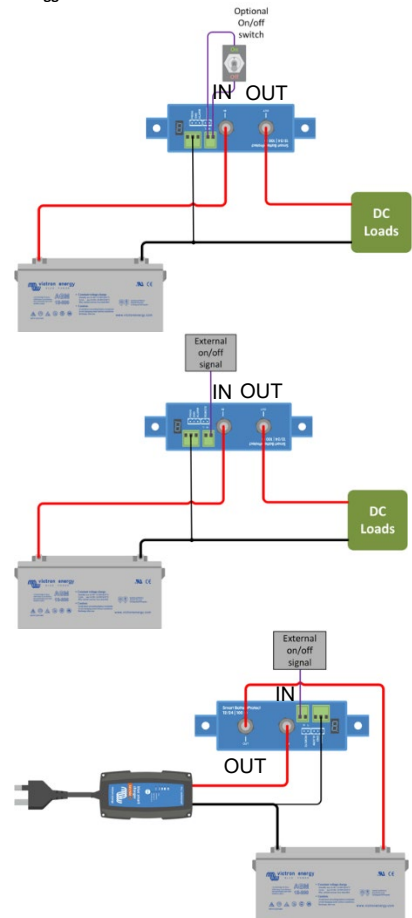
- Riorientare o riposizionare l'antenna ricevente.
- Aumentare la distanza tra l'apparecchiatura e il ricevitore.
- Collegare l'apparecchio a una presa di corrente di un circuito diverso da quello a cui è collegato il ricevitore.
- Consultare il fornitore o un tecnico radiotelevisivo esperto.

Questo dispositivo contiene un trasmettitore con ID FCC: SH6MDBT42Q

**Specifiche**

| BatteryProtect Smart                 | SBP 48 100   |  |
|--------------------------------------|--|--|
| Corrente di carico cont. max         | 100 A  |  |
| Corrente di picco                    | 250 A  |  |
| Intervallo di tensione operativa     | 24 – 70 V  |  |
| Consumo di corrente                  | BLE on   | Quando ON: 1,9 mA<br>Quando OFF o spegnimento per bassa tensione: 1,7 mA |
|                                      | BLE off  | Quando ON: 1,7 mA<br>Quando OFF o spegnimento per bassa tensione: 1,6 mA |
| Ritardo di emissione dell'allarme    | 12 sec.  |  |
| Carico max su emissione dell'allarme | 50 mA (resistente a corto circuito).                                       |  |
| Ritardo di scollegamento del carico  | 90 secondi (immediato se attivato da VE.Bus BMS)                           |  |
| Soglie predefinite                   | Disattivazione: 42V Attivazione: 48V                                       |  |
| Campo temperatura di esercizio       | Carico pieno: da -40 °C a +40 °C (fino a 60 % del carico nominale a 50 °C) |  |
| Collegamento                         | M8   |  |
| Coppia di montaggio                  | 9 Nm   |  |
| Peso                                 | 0,8 kg (1,8 libbre)  |  |
| Dimensioni (axlxp)                   | 62 x 123 x 120 mm<br>2,5 x 4,9 x 4,8 pollici                               |  |

**Esempio di Schemi di Cablaggio**



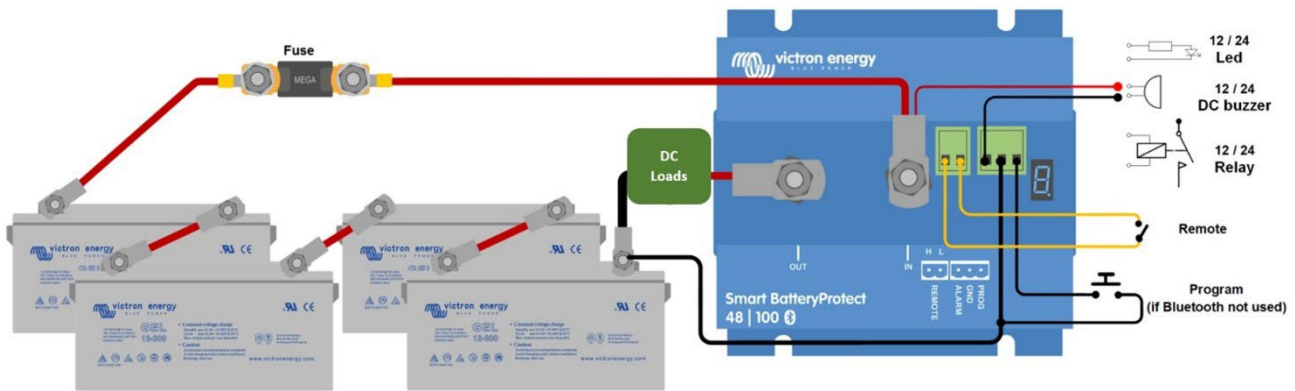


Figura 1: Schema di connessione del BP 48|100  
(Utilizzare l'immissione remota per la funzione sistema on/off)

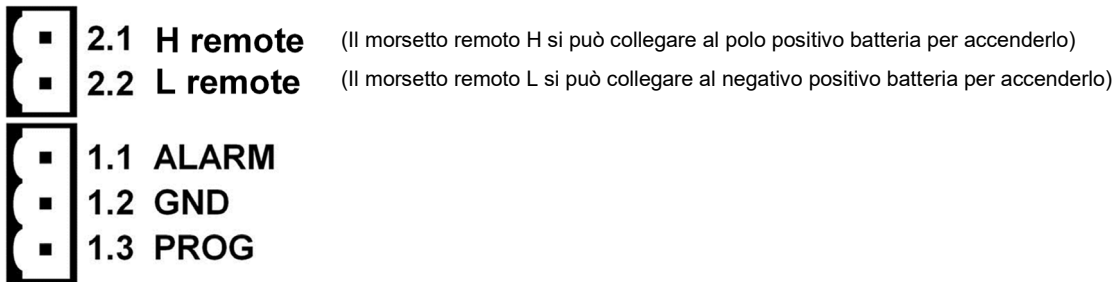


Figura 2: Schemi di connessione e numerazione dei pin

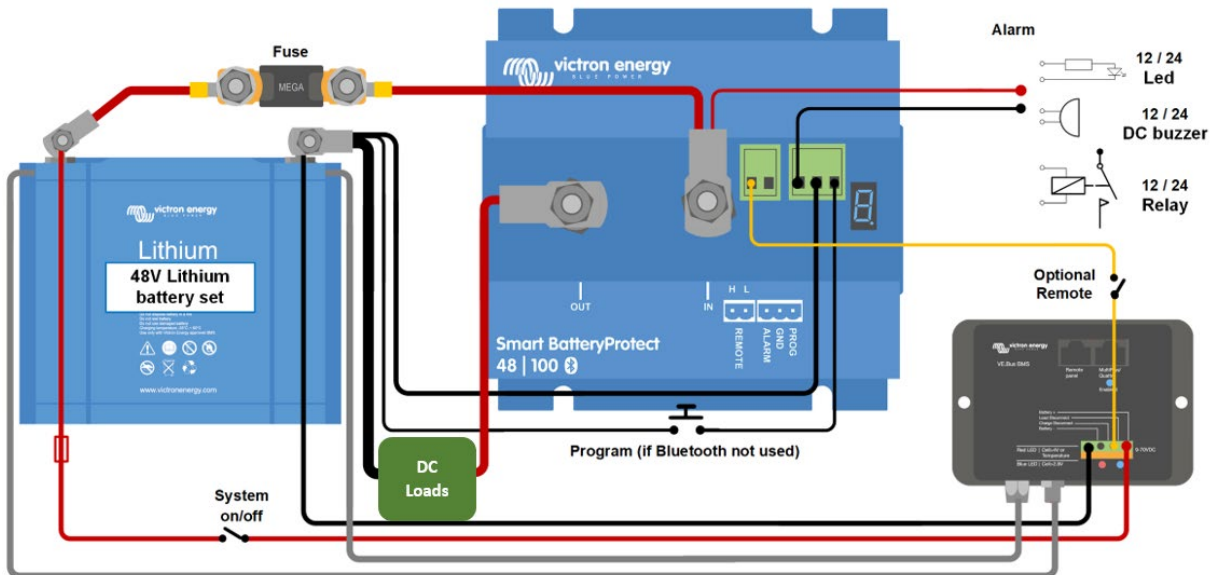


Figura 3: Sistema con batteria agli ioni di litio a 48 V  
(compatibile con BMS VE.Bus o smallBMS)

Nota: Nella modalità Li-ion, il SBP si disattiva quando l'entrata H diventa "free floating" e rimarrà disattivato per 30 secondi anche se riceve un segnale di riattivazione in questo periodo di tempo. Dopo 30 secondi risponderà immediatamente a un segnale di riattivazione. Pertanto, generalmente non ci saranno tempi di attesa se il SBP si usa come interruttore on-off del sistema (a tale fine, collegare l'Interruttore on/off del sistema al cavo di alimentazione positivo del BMS).

Parimenti, se si verifica un arresto del sistema in seguito a bassa tensione della cella, il SBP rimarrà disattivo per 30 secondi anche se riceve un segnale di riavvio in questo periodo (che avverrà quando non ci sono altri carichi collegati alla batteria). Dopo 3 tentativi di riavvio, il SBP rimarrà spento finché la tensione della batteria non risalga a più di 52 V per almeno 30 secondi (giacché ciò indica che la batteria si sta ricaricando). Le soglie di sottotensione e l'emissione dell'allarme del SBP sono inattive in questa modalità.

Per riavvialo manualmente, scollegare brevemente e ricollegare il morsetto remoto on/off o spegnere e riaccendere il BMS.

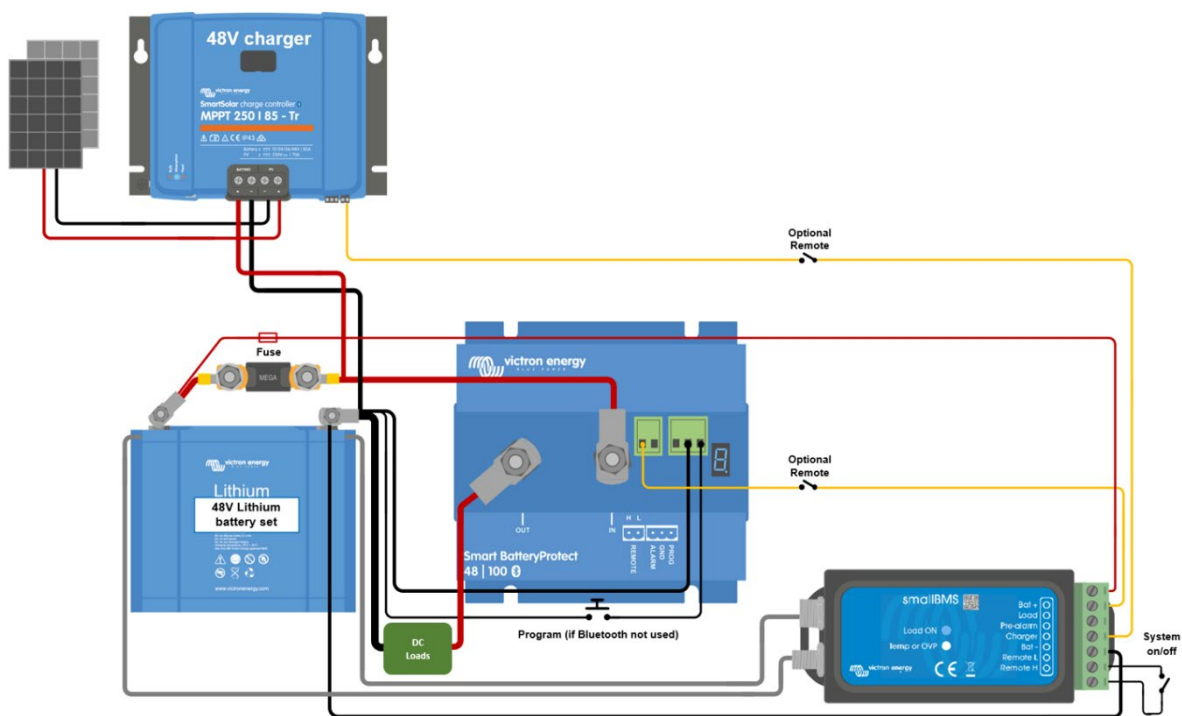


Figura 4: Impianto fotovoltaico CC con batteria agli ioni di litio (compatibile con BMS VE.Bus o smaIBMS)

**Attenzione:** una corrente inversa non controllata scorrerà attraverso il Smart BatteryProtect se  $V_{out} > V_{in}$ . Pertanto, non usare mai un Smart BatteryProtect per una ricarica da batteria a batteria.

## APPENDICE

### Errore / Codici Avvertimento

#### E0: Errore di calibrazione

Malfunzionamento interno - errore/manca dati di calibrazione



Contattare il venditore per l'assistenza - L'errore non può essere corretto dall'utente e il SBP richiede una sostituzione

#### E1: Cortocircuito

La protezione contro cortocircuito si attiva in caso di cortocircuito e sovraccarico o eccessiva inserzione di corrente, come quando si cerca di alimentare direttamente un inverter



1. Verificare l'eventuale presenza di cortocircuito
2. Confermare che l'assorbimento di corrente di carico non superi la corrente nominale del SBP
3. Utilizzare il SBP per controllare l'interruttore on/off remoto nei carichi con alta inserzione di corrente, invece di collegare/scollegare direttamente l'alimentazione CC
4. Verificare che non ci siano connessioni allentate/con alta resistenza ed assicurarsi di utilizzare un calibro di cablaggio appropriato per l'impianto

#### P2: Avviso temperatura alta

**È necessario un intervento urgente per evitare la disconnessione del carico**

Temperatura interna vicina al limite. La protezione contro sovratemperatura si attiverà se la temperatura continua a salire

#### E2: Sovratemperatura

La protezione contro sovratemperatura si attiva in caso di temperatura interna eccessiva



1. Confermare che l'assorbimento di corrente di carico non superi la corrente nominale del SBP
2. Verificare che non ci siano connessioni allentate/con alta resistenza ed assicurarsi di utilizzare un calibro di cablaggio appropriato per l'impianto
3. Non installare l'unità SBP in un luogo esposto ad alte temperature o calore radiante, riposizionarlo in un luogo più fresco o fornirgli un raffreddamento aggiuntivo

#### P3: Avviso bassa tensione

**È necessario un intervento urgente per evitare la disconnessione del carico**

La protezione contro bassa tensione si attiverà entro 90 secondi, se non si eseguono azioni

#### E3: Sottotensione

La protezione contro sottotensione si attiva nel caso in cui la tensione di ingresso cada al di sotto del limite di tensione selezionato per 90 secondi



1. Spegner/scollegare i carichi e ricaricare la batteria
2. Verificare che il sistema di ricarica e la batteria funzionino correttamente

#### E4: Sovratensione

La protezione contro sovratensione si attiva nel caso in cui la tensione di ingresso superi i 64 V



1. Confermare la configurazione di tutti i dispositivi di carica del sistema, particolarmente le impostazioni della tensione di sistema e della tensione di carica
2. Verificare che il sistema di ricarica funzioni correttamente
3. Confermare che la configurazione della tensione di sistema del SBP sia corretta

#### E5: Errore di configurazione

Malfunzionamento interno - errore/manca dati configurazione



- Per ripristinare il SBP:
1. Ripristinare l'unità ai valori predefiniti in Impostazioni > Altre opzioni > Ripristina ai valori predefiniti
  2. Scollegare tutte le alimentazioni e attendere 3 minuti prima di ricollegarle
  3. Riconfigurare l'unità come da requisiti

#### E6: Errore di tensione di riferimento

Malfunzionamento interno - errore/manca dati di tensione di riferimento



Contattare il venditore per l'assistenza - L'errore non può essere corretto dall'utente e il SBP richiede una sostituzione

#### E7: Blocco BMS

La protezione blocco BMS si attiva se il BMS esterno richiede al SBP di disattivarsi e poi di riattivarsi 3 volte consecutive (comportamento tipico durante un arresto dovuto a bassa tensione della cella)

Quando si attiva E7, il SBP rimarrà non attivo finché la tensione di ingresso non superi i 52 V



1. Verificare i codici/registri di errore del BMS per identificare la causa dell'arresto e correggerla
2. Spegner/scollegare i carichi e ricaricare la batteria
3. Verificare il cablaggio tra BMS e SBP e il Morsetto remoto del SBP
4. Verificare che il BMS funzioni correttamente

#### E8: Corrente inversa

La protezione contro la corrente inversa si attiva se si rileva un flusso di corrente inversa

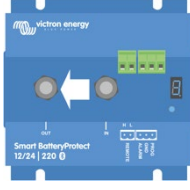
**ATTENZIONE: Il SBP è progettato per consentire o evitare SOLAMENTE il flusso di corrente dai morsetti IN a quelli OUT. Il flusso di corrente inversa è severamente vietato e può danneggiare permanentemente il SBP.**



1. Verificare che l'orientamento di installazione del SBP sia corretto: il flusso di corrente deve scorrere da IN a OUT (vedere gli esempi di schemi di cablaggio)
2. Confermare che delle fonti di carica non siano collegate inavvertitamente al morsetto/circuito OUT del SBP
3. Se il SBP si utilizza per scollegare una fonte di carica, confermare che non ci siano carichi inavvertitamente collegati al morsetto/circuito IN del SBP

**Smart BatteryProtect 48/100**  
**TÜRKÇE**
**Kurulum**

- Smart BatteryProtect (SBP) iyi havalandırılan bir yere kurulmalı ve tercihen aküye yakın (maks. 50 cm) olmalıdır (ancak korozif gaz ihtimali nedeniyle akünün üzerinde olmamalıdır). **Akünün artı kutbuyla SBP arasındaki aşırı uzun veya yetersiz ebatlı bir kablo üzerindeki voltaj düşüşü, yük başlatılınca kısa devre alarmının devreye girmesine veya SBP'nin beklenmedik şekilde kapanmasına neden olabilir.**
- Akü ve SBP arasındaki kabloya yerel düzenlemeler uyarınca uygun boyutta bir sigorta takılmalıdır.
- SBP, akımın sadece GİRİŞ (akü) ve ÇIKIŞ (yük) terminaleri arasında akışına izin verecek şekilde tasarlanmıştır.
- ÇIKIŞ ve GİRİŞ terminalerinden ters akımlar kesinlikle yasaktır ve cihaza zarar verir. SBP'yi bir şarj kaynağı için bir bağlantı kesme olarak kullanmak istiyorsanız sistemdeki üniteyi akımın istenen doğrultuda, GİRİŞTEN ÇIKIŞA doğru akacağı şekilde yönlendirmeniz gerekir.
- Yükleri doğrudan kapasitörlerine giriş kısımlarından bağlamayı denerseniz (ör. invertörler) SBP'nin kısa devre koruması devreye girer. Böyle kullanıldığında, invertördeki uzaktan açma/kapama düğmesini kontrol etmek için yüksek güç DC hattının bağlantısını kesmek yerine BP'yi kullanın.
- GND bağlantısı için 1,5 mm<sup>2</sup> kablo kullanın (paketin içindedir) ve bu kabloyu doğrudan akünün eksi terminaline (ya da aracın şasisine) bağlayın. Bu kabloya başka donanım bağlanmamalıdır.
- SBP, sistem voltajını otomatik olarak **sadece bir kez** ilk güç açıldığında tespit eder. Voltaj algılandığında 7 segmentli ekranın üst ve alt kısmı arasında bir dizi ışık yanıp söner.
- SBP tamamen programlanmadan yük çıkışı yapılamaz.
- Uzak H ile Uzak L terminali arasında (bkz. şekil 1) uzaktan açma-kapama anahtarı bağlanabilir.
- Alternatif olarak H terminali yükseğe (akünün artı kutbuna) ya da L terminali düşüğe (akünün eksi kutbuna) anahtarlanabilir.
- Alarm çıkışı terminali ile akünün artı kutbu arasında (bkz. şekil 1) sesli ikaz, LED veya röle bağlanabilir. Alarm çıkışındaki maksimum yük: 50 mA (kısa devre korumalı).

**Yük kesinti olayları ve alarm çıkış seçenekleri**

Sesli ikaz veya LED modu (alarm çıkışına sesli ikaz veya LED bağlı):

- Düşük voltaj olması halinde 12 saniyenin ardından sürekli alarm çalınır. 90 saniyenin sonunda SBP otomatik olarak yükü keser ve alarm durur. Yeniden bağlanma gecikmesi: 30 saniye.
- Aşırı voltaj olması halinde yük derhal kesilir ve aşırı voltaj sorunu giderilene kadar aralıklı bir alarm verilir. Yeniden bağlanma gecikmesi yoktur.

Röle modu (alarm çıkışına röle bağlı):

- Düşük voltaj olması halinde 12 saniyenin ardından röle devreye girer. 90 saniyenin sonunda SBP otomatik olarak yükü keser ve röle devreden çıkar.
- Aşırı voltaj olması halinde yük derhal kesilir ve alarm çıkışı devre dışı kalmaya devam eder. Aşırı voltaj tripp seviyeleri: 65,2 V

Li-ion modu:

- VE Bus BMS'in yük kesme çıkışı Uzak H terminaline bağlayın.
- VE Bus BMS'in yük kesme çıkışı "yüksek" durumundan "serbest yüzdürme" durumuna geçtiğinde yük derhal kesilir (akü hücresi düşük voltaj, aşırı voltaj veya aşırı sıcaklığı nedeniyle). SBP'nin düşük voltaj eşikliği ve alarm çıkışı bu modda devre dışı kalır.

**Çalıştırma**

Bluetooth bağlantılı bir akıllı telefon ya da tablet kullanırken 7 segmentli ekranda ve VictronConnect'te gösterilen 9 olası hata modu ve 2 uyarı modu vardır:

- E1 Kısa devre algılandı
- E2 Aşırı yük veya aşırı sıcaklık / P2 aşırı sıcaklık uyarısı
- E3 Düşük voltaj / P3 düşük voltaj uyarısı
- E4 Aşırı voltaj
- E5 Ayar Arızası
- E6 Referans Voltaj Arızası
- E7 BMS Kilidi

5 dakikanın ardından akım tüketimi azaltılmak için ekrandaki hata gösterimi sonlandırılır.

Her hatayla ilgili daha fazla bilgi için lütfen Ek'e bakın.

7 segmentli ekranın ondalık hanesi durum gösterimi için kullanılır:

- Sürekli açık: SBP, çıkışı etkinleştirilmeye çalışıyor
- 5 saniyede bir yanıp sönmeye: Çıkış etkin
- Li-ion modunda 2 saniyede bir yanıp sönmeye: Çıkış "bağlanıyor"

Uzaktan kontrol ve kısa devre

- SBP, uzak kontak kapatıldıktan 1 saniye sonra yükü bağlar.
- Uzak kontak açıldığında SBP yükü derhal keser.
- Li-ion modunda SBP, uzak girişi serbest yüzdürme durumuna geçtikten sonra 30 saniyelik bir işlevsiz süre geçirir. Ayrıntılı açıklama için şekil 4 altındaki nota bakın.
- Kısa devre olması halinde SBP her 5 saniyede bir yükü bağlamaya çalışır. İki denemenin ardından ekranda E1 (kısa devre algılandı) hatası gösterilir.

**Programlama**

Kapalıyken (uzaktan açık) SBP, PROG pimi topırağa bağlanarak programlanabilir. Alternatif olarak,

VictronConnect kullanan Bluetooth bağlantılı bir akıllı telefon veya tablet ile programlanabilir

7 segmentli ekran ilk önce kapamayı ve daha sonra voltaj yeniden başlatmayı gösterecektir. İstenilen voltaj görüntülediğinde PROG piminin bağlantısını kesin.

Seçilen voltaj ve varsayılan mod (R) ekranda iki kez doğrulanır.

Başka bir mod (b or L) gerekiyorsa PROG pimini topırağa yeniden bağlayın. Gerekli mod görüntülediğinde bağlantıyı kesin.

Seçilen voltaj ve mod ekranda iki kez doğrulanır.

PIN kodu P seçeneği işaretlenerek sıfırlanabilir. **Bu seçenek işaretlendikten sonra bağlanma bilgilerinin kaldırılması gerekir.** Bluetooth, VictronConnect uygulaması ile veya F (etkinleştir) ya da h (devre dışı bırak) seçenekleri işaretlenerek devre dışı bırakılabilir/tekrar etkinleştirilebilir. Aşağıdaki tabloya bakınız:

**Programlama tablosu**

| 7 segmentli ekran | Düşük voltajda kapanma<br>48 V sistem   | Düşük voltajda yeniden başlatma<br>48 V sistem |
|-------------------|---|--|
| 0                 | 42 V                                    | 48 V   |
| 1                 | 40 V                                    | 46 V   |
| 2                 | 38 V                                    | 46 V   |
| 3                 | 45 V                                    | 53 V   |
| 4                 | 46 V                                    | 55,2 V   |
| 5                 | 42 V                                    | 51,2 V   |
| 6                 | 46 V                                    | 51,2 V   |
| 7                 | 47,2 V                                  | 51,2 V   |
| 8                 | 48 V                                    | 52 V   |
| 9                 | 40 V                                    | 52,8 V   |
| -                 | Bluetooth ile kullanıcı tanımlı ayarlar |  |
| A                 | Sesli ikaz veya LED modu                |  |
| b                 | Röle modu                               |  |
| C                 | Li-ion modu                             |  |
| F                 | Bluetooth Etkin                         |  |
| h                 | Bluetooth Devre Dışı                    |  |
| P                 | PIN kodu sıfırlama                      |  |

Cihaz, FCC Kurallarının 15. bölümü ile uyumludur.

Çalıştırma aşağıdaki iki koşula tabidir:

- Bu cihaz zararlı girişimlere yol açamaz ve
- Bu cihaz istenmeyen çalıştırmalara sebep olabilecek girişimler dahil, alınan her girişimi kabul etmek zorundadır.

**Uyarı (bölüm 15.21)**

Uyumdansorumlu tarafın açışca onaylamadığı değişiklikler ya da değişimler kullanıcının ekipmanı çalıştırma yetkisini geçersiz kılabilir.

**Kullanıcıya Aktarılan Bilgiler (bölüm 15.105b)**

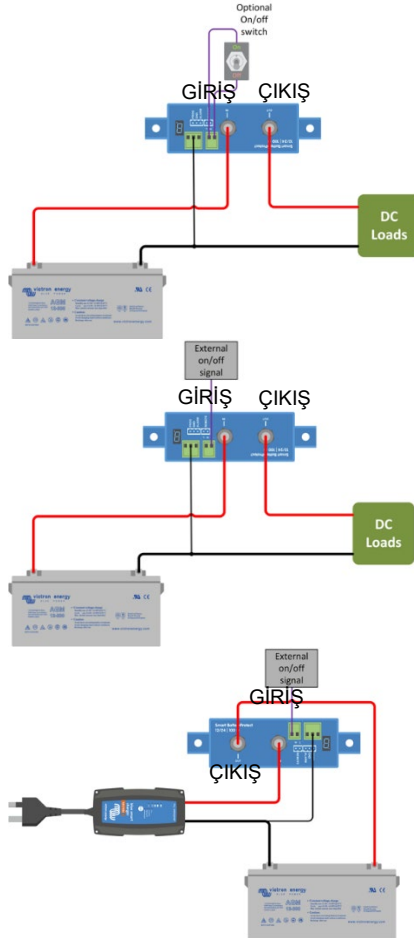
Not: Bu ekipman test edilmiş ve FCC Kurallarının 15. bölümü uyarınca, B Sınıfı bir dijital cihazın limitleriyle uyumlu bulunmuştur. Bu limitler bir mesken kurulduğunda zararlı girişimlere karşı makul koruma sağlayacak şekilde tasarlanmıştır. Bu ekipman radyo frekansı enerjisi üretir, kullanır ve yayabilir ve talimatlara göre kurulup kullanılmadığı takdirde radyo iletişimine yönelik zararlı girişimlere sebep olabilir. Öte yandan, girişimlerin belli bir kurulumda gerçekleşmeyeceğinin bir garantisizdir. Bu ekipman radyo ya da televizyon alıcılarında, ekipmanın açılıp kapanmasıyla anlaşılabilir zararlı girişimlere yol açarsa kullanıcının aşağıdaki önlemlerden bir ya da daha fazlasını kullanılarak girişimleri düzeltmesi beklenir:

- Alıcı anteni yeniden yönlendirme ya da başka yere yerleştirme.
- Ekipmanla alıcı arasındaki uzaklığı artırma.
- Ekipman alıcının bağlı olduğundan başka bir devredeki bir çıkışa bağlama.
- Yardımlı için bayiye ya da tecrübeli bir radyo/TV teknisyenine danışma.

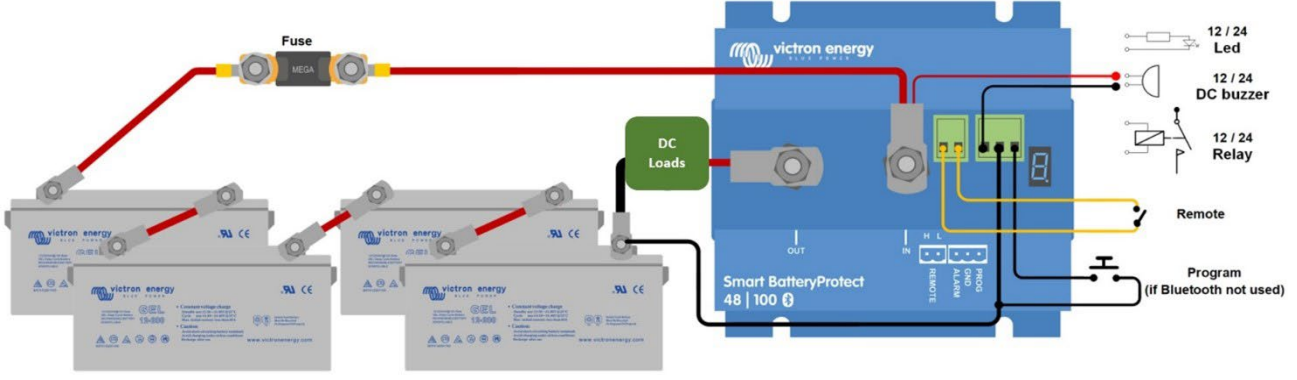
Bu cihaz FCC kimliği bulunduran bir transmitter içerir: SH6MDBT42Q

**Teknik Özellikler**

| Smart BatteryProtect        | SBP 48   100  |   |
|-----------------------------|---|---|
| Maksimum sürekli yük akımı  | 100 A   |   |
| Pik akım                    | 250 A   |   |
| Çalışma voltajı aralığı     | 24 – 70 V   |   |
| Akım tüketimi               | BLE Açık  | Açıkken: 1,9 mA<br>Kapalıyken veya düşük voltajda kapanma durumunda: 1,7 mA |
|                             | BLE Kapalı  | Açıkken: 1,7 mA<br>Kapalıyken veya düşük voltajda kapanma durumunda: 1,6 mA |
| Alarm çıkış gecikmesi       | 12 saniye   |   |
| Alarm çıkışındaki maks. yük | 50 mA (kısa devre koruması)                                       |   |
| Yük kesinti gecikmesi       | 90 saniye (VE Bus BMS tarafından tetiklenirse anında)             |   |
| Varsayılan eşikler          | Devre dışı kalma: 42 V Devreye girme: 48 V                        |   |
| Çalışma sıcaklığı aralığı   | Tam yük: -40 °C ila +40 °C (50 °C'de nominal yükün %60'ına kadar) |   |
| Bağlantı                    | M8  |   |
| Montaj torku                | 9 Nm  |   |
| Ağırlık                     | 0,8 kg 1,8 lb   |   |
| Boyutlar (Y x G x D)        | 62 x 123 x 120 mm<br>2,5 x 4,9 x 4,8 inç                          |   |

**Örnek Bağlantı Şemaları**

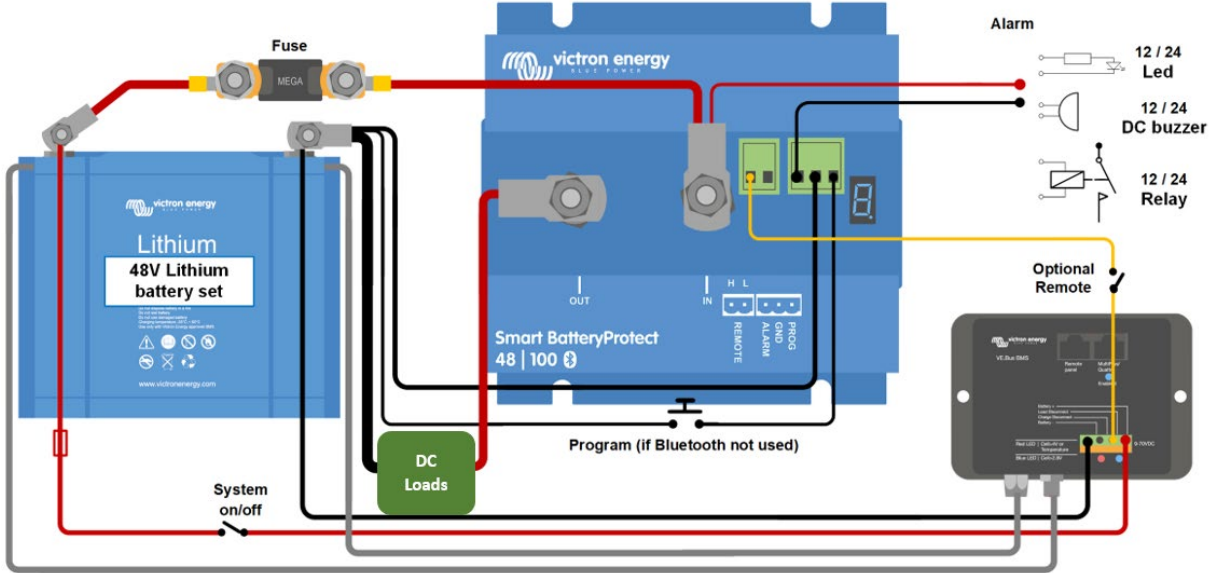




Şekil 1 SBP 48|100 Bağlantı şeması  
(sistem açma/kapama işlevi için uzak girişi kullanın)

- |   |              |  |
|---|--------------|--|
| B | 2.1 H remote | (Açmak için uzak H terminali akünün artı kutbuna bağlanabilir) |
|   | 2.2 L remote | (Açmak için uzak L terminali akünün eksi kutbuna bağlanabilir) |
| B | 1.1 ALARM    |  |
|   | 1.2 GND      |  |
|   | 1.3 PROG     |  |

Şekil 2: Bağlantı şemaları ve pim numaraları

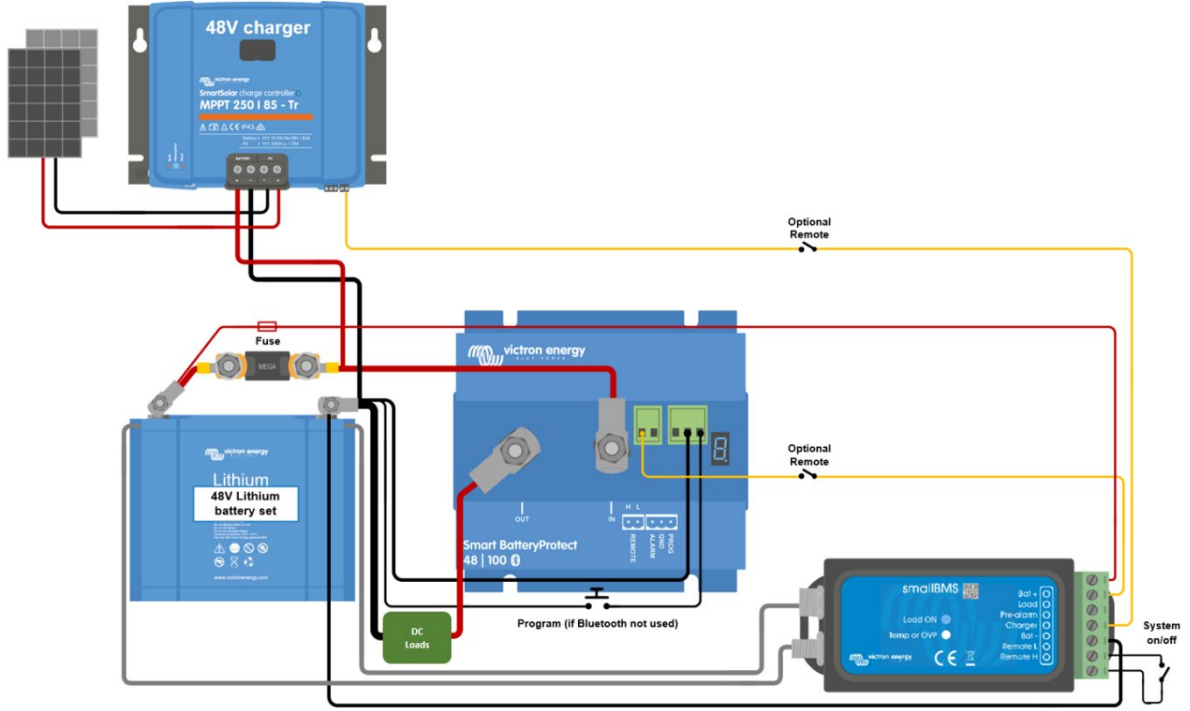


Şekil 3: 48 V Li-ion akü setli sistem (VE.Bus BMS veya smallBMS ile kullanılabilir)

Not: Li-ion modunda SBP, H girişi serbest yüzdürme durumuna geçtiğinde devreden çıkar ve ilgili süre içinde yeniden devreye girme sinyali alsa bile 30 saniye boyunca devre dışı kalır. 30 saniye sonra yeniden devreye girme sinyaline derhal yanıt verir. Bu nedenle, SBP bir sistem açma-kapama anahtarı olarak kullanılırsa (bu amaçla BMS'in artı kutup beslemesinde Sistem açma/kapama anahtarını kullanın) bekleme süresi olmayacaktır.

Benzer şekilde, düşük hücre voltajına bağlı bir sistem kapanması gerçekleşirse SBP, ilgili süre içinde bir yeniden devreye girme sinyali alsa bile 30 saniye boyunca devre dışı kalacaktır (aküye başka bir yük bağlı olmadığında meydana gelir). Üç yeniden devreye girme denemesinden sonra SBP, akü voltajı en az 30 saniyelikine 52 V'un üzerine çıkana kadar devre dışı kalmaya devam eder (bu, akünün yeniden şarj edildiğini gösterir). SBP'nin düşük voltaj eşiği ve alarm çıkışı bu modda devre dışı kalır.

Manuel olarak tekrar başlatmak için uzaktan açma/kapama terminalini söküp yeniden takın veya BMS'i kapatıp yeniden açın.



Şekil 4: Lityum akülü DC güneş enerji sistemi (VE.Bus BMS veya smallBMS ile kullanılabilir)

**Dikkat:**  $V_{out} > V_{in}$  ise kontrolsüz ters akım Smart BatteryProtect'ten geçer. Bu nedenle Smart BatteryProtect cihazını hiçbir zaman aküden aküye şarj için kullanmayın.

**EK****Hata/Uyarı Kodları****E0: Kalibrasyon hatası**

İç arıza – kalibrasyon verisi hatası/kaybı



Destek için bayi ile iletişime geçin – Hatayı kullanıcı gideremez ve SBP'nin değişmesi gerekmektedir

**E1: Kısa devre**

Kısa devre, aşırı yük durumu veya aşırı demeraj akımı - bir invertörü doğrudan çalıştırma girişimlerinde olduğu gibi- durumlarında kısa devre koruması devreye girer



1. Potansiyel bir kısa devre durumunun olup olmadığını kontrol edin
2. Çekilen yük akımının SBP akım oranını aşmadığını doğrulayın
3. DC kaynağını doğrudan çalıştırmak/durdurmak yerine yüksek demeraj akımının olduğu yüklerde uzaktan açma/kapama anahtarını kontrol etmek için SBP'yi kullanın
4. Düşük/yüksek direnç bağlantılarını kontrol edin ve kurulumda uygun ölçüm kablosunun kullanıldığından emin olun

**P2: Aşırı sıcaklık uyarısı****Yük kesintisini önlemek için acil müdahale gereklidir**

Limite yakın iç sıcaklık. Sıcaklık yükselmeye devam ederse aşırı sıcaklık koruması devreye girecektir

**E2: Aşırı sıcaklık**

Aşırı iç sıcaklık durumunda aşırı sıcaklık koruması devreye girer



1. Çekilen yük akımının SBP akım oranını aşmadığını doğrulayın
2. Düşük/yüksek direnç bağlantılarını kontrol edin ve kurulumda uygun ölçüm kablosunun kullanıldığından emin olun
3. SBP ünitesini yüksek sıcaklık ya da radyan ısıya maruz kalan bir konuma kurmayın - SBP'yi daha serin bir konuma taşıyın ya da ek aktif soğutma sağlayın

**F3: Düşük voltaj uyarısı****Yük kesintisini önlemek için acil müdahale gereklidir**

Bir müdahale olmazsa 90 saniye içinde düşük voltaj uyarısı devreye girecektir

**E3: Düşük voltaj**

Giriş voltajı 90 saniye boyunca seçilen voltaj limitinin altına düşerse düşük voltaj koruması devreye girer



1. Yükleri kapatın/kesin ve aküyü yeniden şarj edin
2. Şarj sistemini ve aküyü uygun operasyon için kontrol edin

**E4: Aşırı voltaj**

Giriş voltajı 64 V'yi geçerse aşırı voltaj koruması devreye girer



1. Sistemdeki tüm şarj cihazlarının yapılandırmasını, özellikle sistem voltajı ve şarj voltajı ayarlarını onaylayın
2. Şarj sistemini uygun operasyon için kontrol edin
3. SBP sistemi voltajı yapılandırmasının doğru olduğunu onaylayın

**E5: Yapılandırma hatası**

İç arıza – yapılandırma verisi hatası/kaybı



- SBP'yi bu durumdan kurtarmak için:
1. Ayarlar > Daha fazla seçenek > Fabrika ayarlarına geri dön menüsünden üniteyi fabrika ayarlarına geri döndürün
  2. Bütün gücü kesin ve yeniden bağlamadan önce 3 dakika bekleyin
  3. Üniteyi gerektiği şekilde yeniden yapılandırın

**E6: Referans voltaj hatası**

İç arıza - referans voltaj hatası/kaybı



Destek için bayi ile iletişime geçin – Hatayı kullanıcı gideremez ve SBP'nin değişmesi gerekmektedir

**E7: BMS kilidi**

Dış BMS'nin SBP'yi 3 kez ardına bağlantı kesmeye ve sonra yeniden bağlanmaya zorlaması halinde BMS kilidi koruması devreye girer (düşük hücre voltajı sebebiyle yaşanan kapanma durumunda tipik davranış)

E7 devreye girdikten sonra giriş voltajı 52 V'yi geçene değin SBP'nin kesintisi sürecektir



1. Kapanmanın sebebini bulmak ve sorunu gidermek için BMS hata kodlarını/kaydını kontrol edin
2. Yükleri kapatın/kesin ve aküyü yeniden şarj edin
3. BMS ile SBP Uzak terminali arasındaki kabloları kontrol edin
4. BMS'yi uygun operasyon için kontrol edin

**E8: Ters akım**

Ters akım akışı tespit edilirse ters akım koruması devreye girer

**DIKKAT: SBP, SADECE İÇ terminallerden DIŞ terminallere akım akışını serbest bırakmak ya da önlemek üzere tasarlanmıştır. Ters akım akışı kesinlikle yasaktır ve SBP'ye kalıcı zarar verebilir.**

1. SBP kurulum yönünün doğru olup olmadığını kontrol edin - akım akışı İÇ-DIŞ yönünde olmalıdır (örnek kablo diyagramlarına bakın)
2. Hiçbir şarj kaynağının yanlışlıkla SBP DIŞ terminali/devresine bağlanmadığından emin olun
3. SBP bir şarj kaynağını kesmek üzere kullanılıyorsa hiçbir yükün yanlışlıkla SBP İÇ terminali/devresine bağlanmadığından

